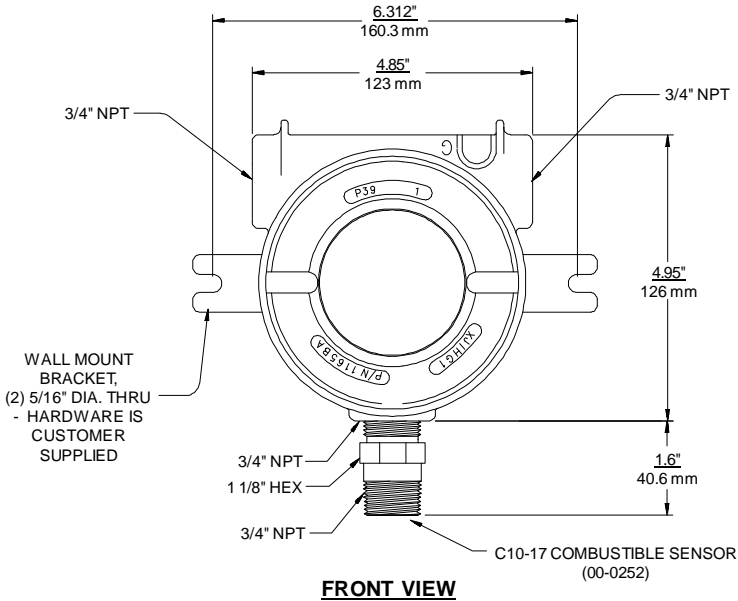


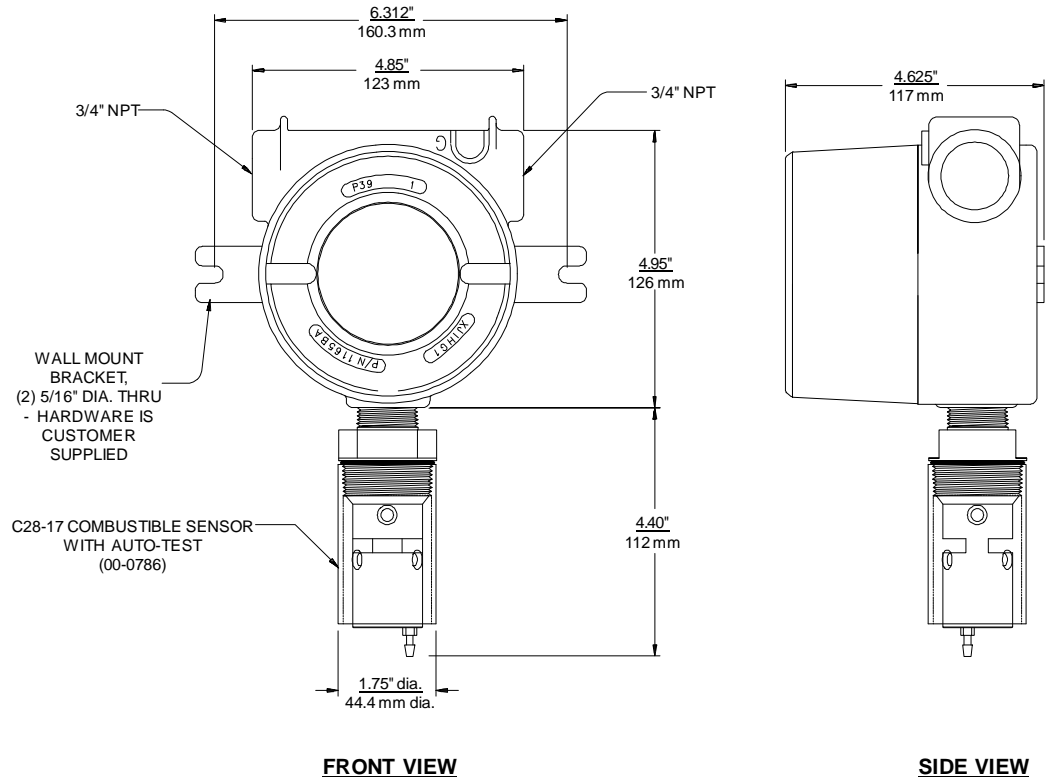
SENSOR/TRANSMITTER



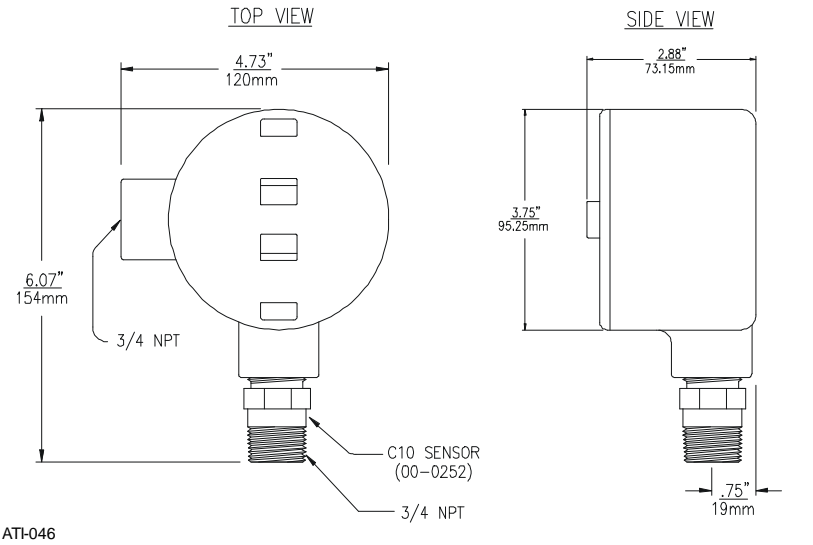
NOTES

- 1) Enclosure Ratings:
 Nema-3,4X,7 & 9
 UL Standard 1203
 CSA Standard C22.2-30
 FM Class No. 3615
 NEC CLASS I, Groups B, C & D
 CLASS II, Groups E, F & G
 CLASS III
- 2) Enclosure Material:
 Light weight corrosion resistant copper-free aluminum construction with sand blast finish.
 Painted with polyester urethane, CAT yellow in color.
 Neoprene gasket.
 2 5/8" dia. viewing window.
- 3) When transmitter is used in classified areas, an x-proof seal should be used as required by electrical code.
 Any connection made must be water-tight.

SENSOR/TRANSMITTER WITH AUTO-TEST



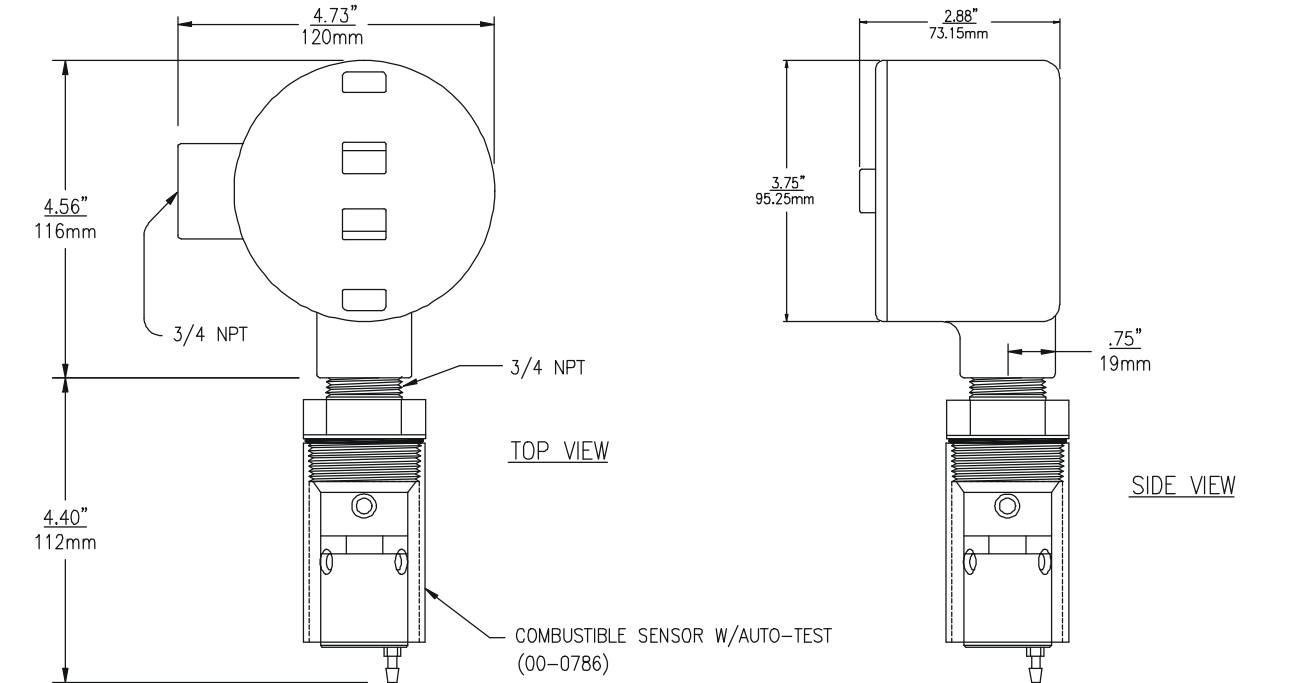
JUNCTION BOX



NOTES

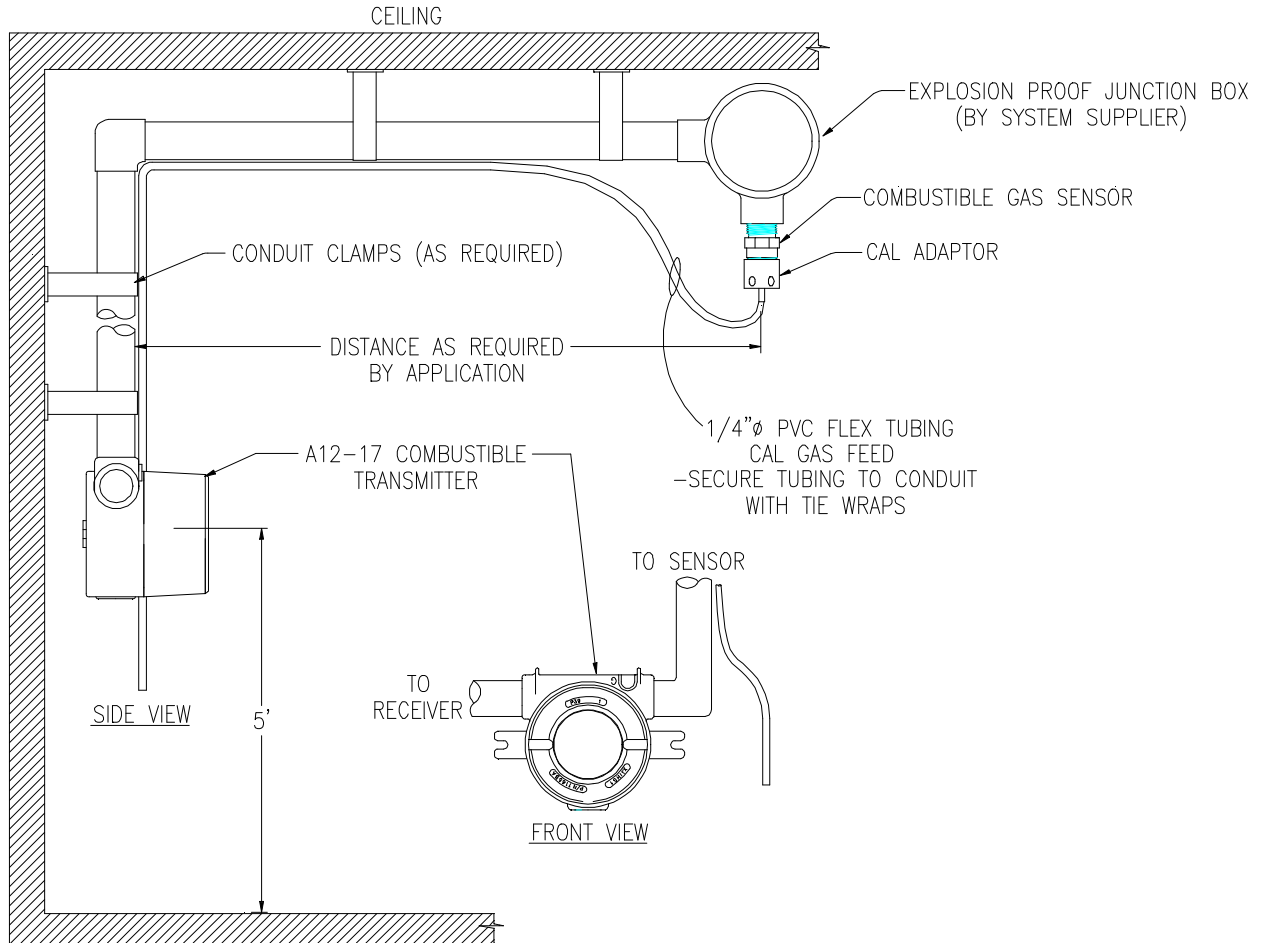
- 1) Enclosure Ratings:
 CLASS I, Groups B, C & D
 CLASS II, Groups E, F & G
 CLASS III
 - 2) Assembly is normally mounted directly to suitable explosion-proof conduit.
 - 3) When transmitter is used in classified areas, an x-proof seal should be used as required by electrical code. Any connection made must be water-tight.
- WARNING- Failure to seal the conduit entries will result in water entering the enclosure causing damage or failure to the transmitter electronics.**

JUNCTION BOX w/ AUTO-TEST

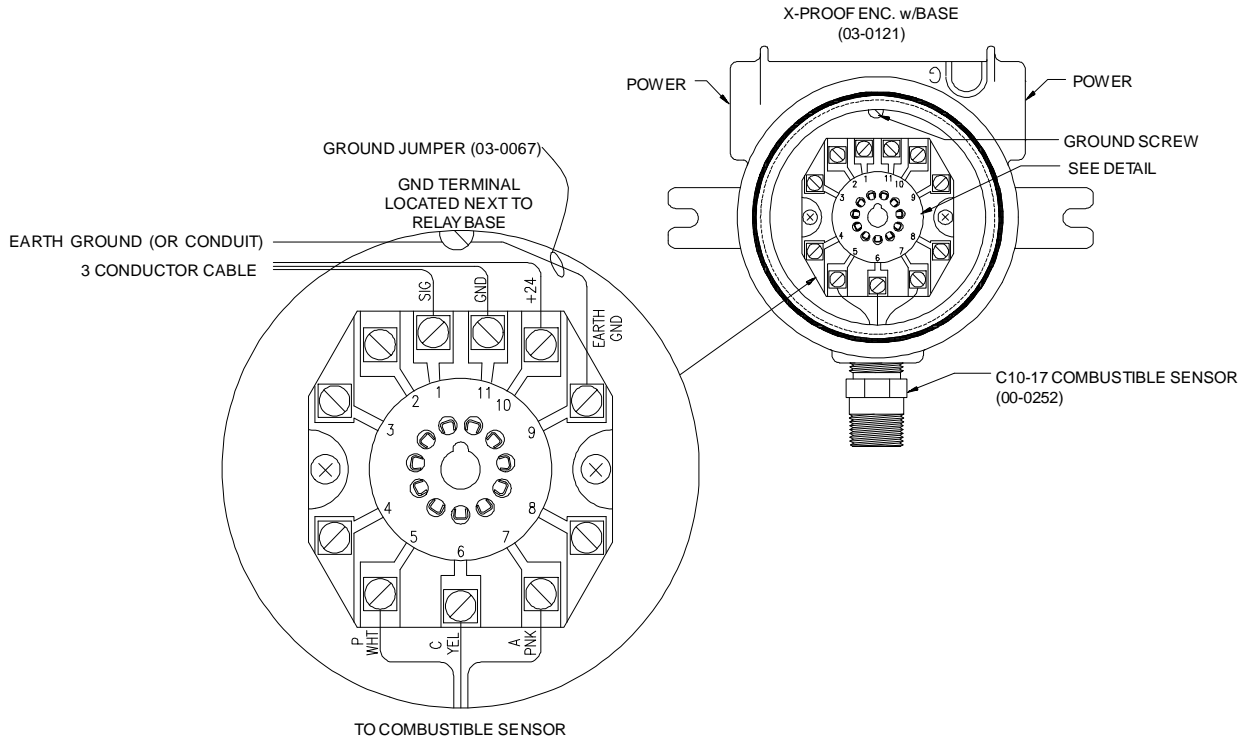


ATI-0396

DUAL CONDULET INSTALLATION

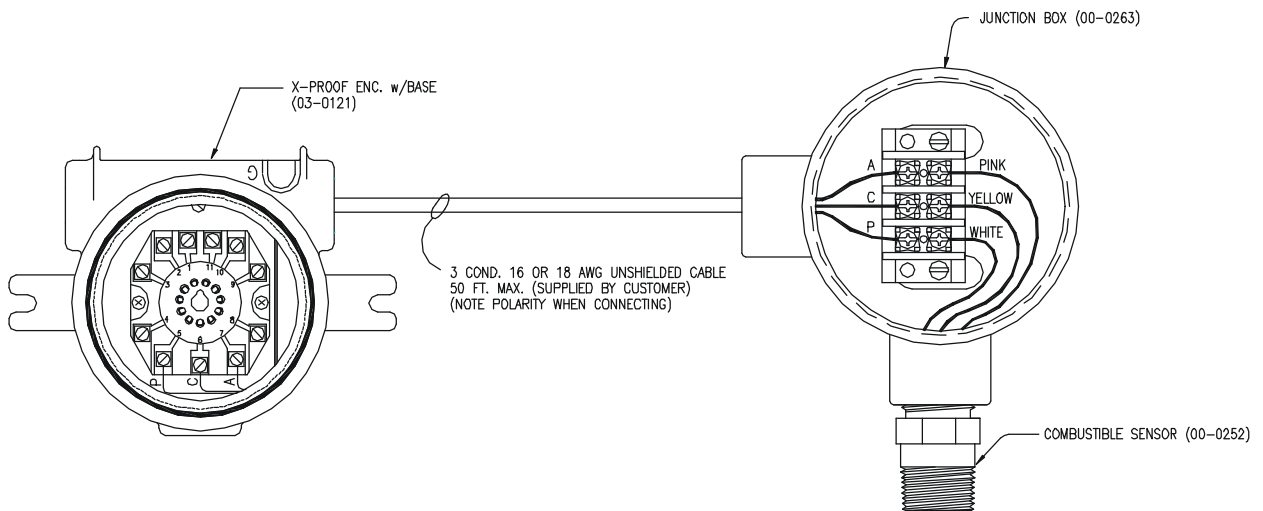


STANDARD SYSTEM



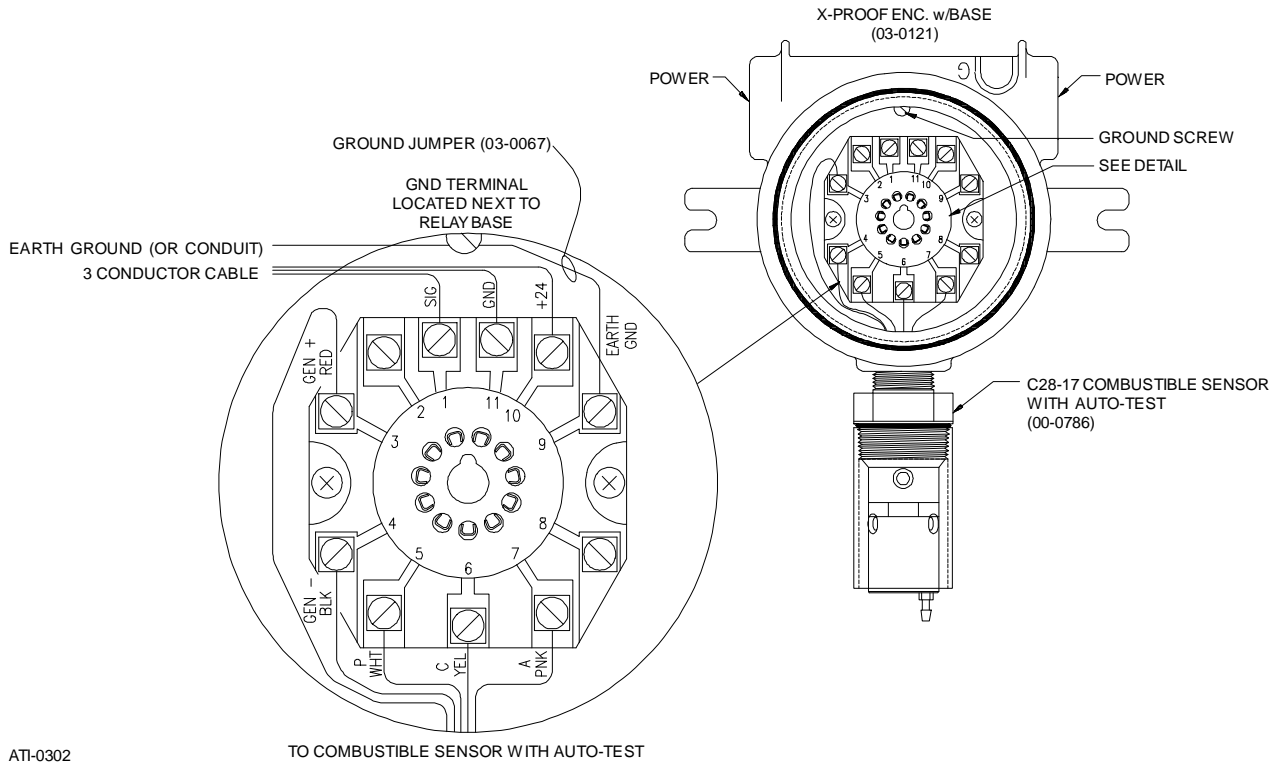
ATI-0282

STANDARD SYSTEM WITH JUNCTION BOX



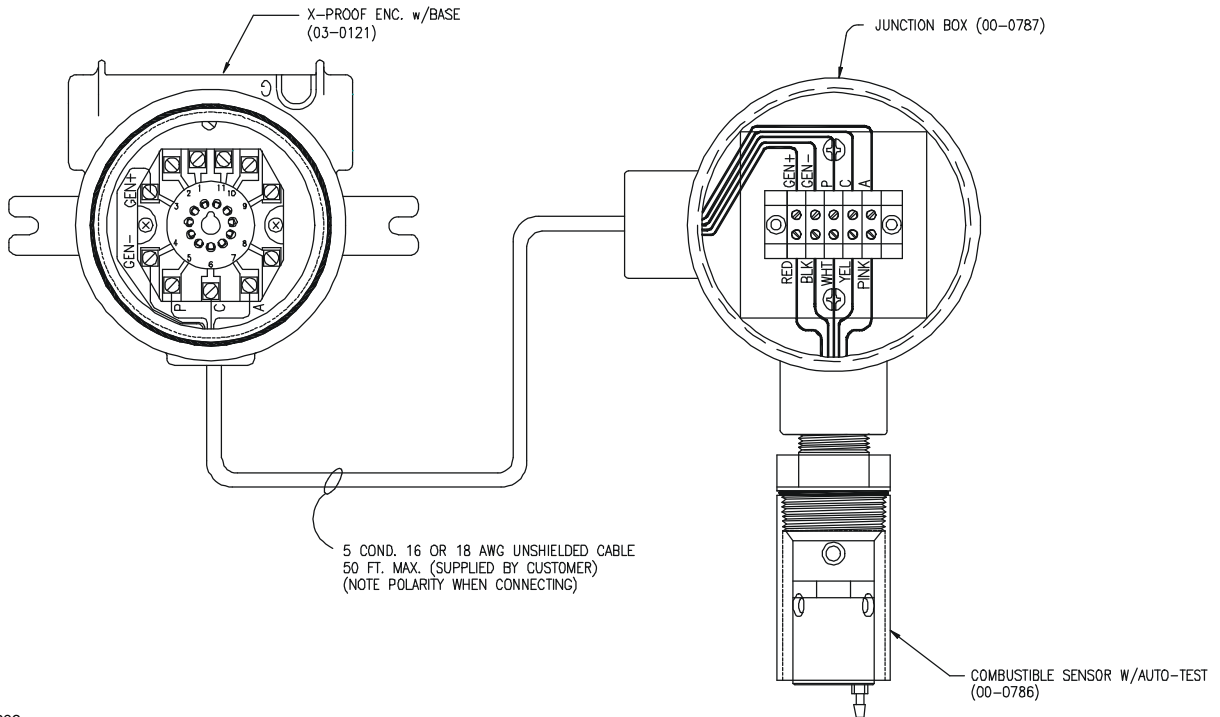
ATI-0283

SYSTEM WITH AUTO-TEST



ATI-0302

SYSTEM WITH AUTO-TEST AND JUNCTION BOX



ATI-0303