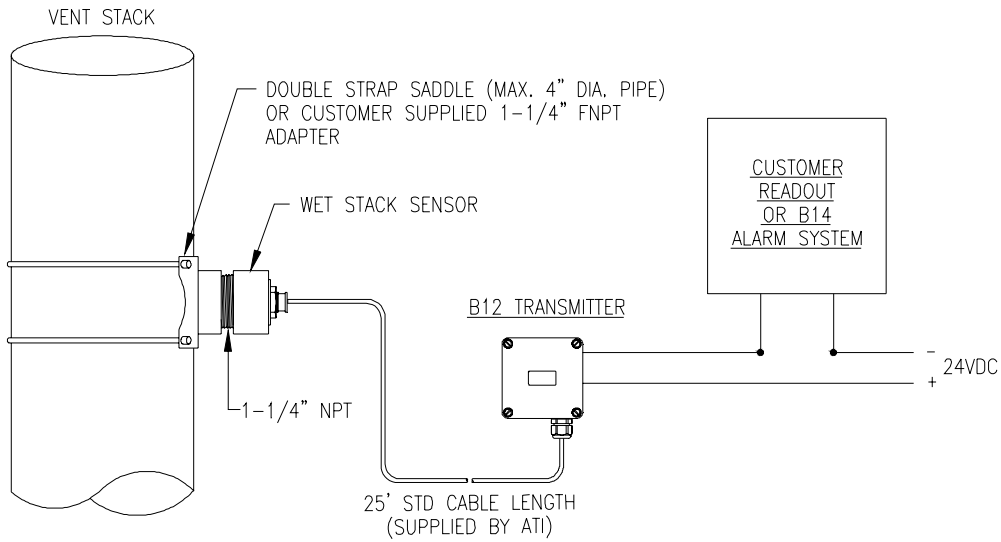
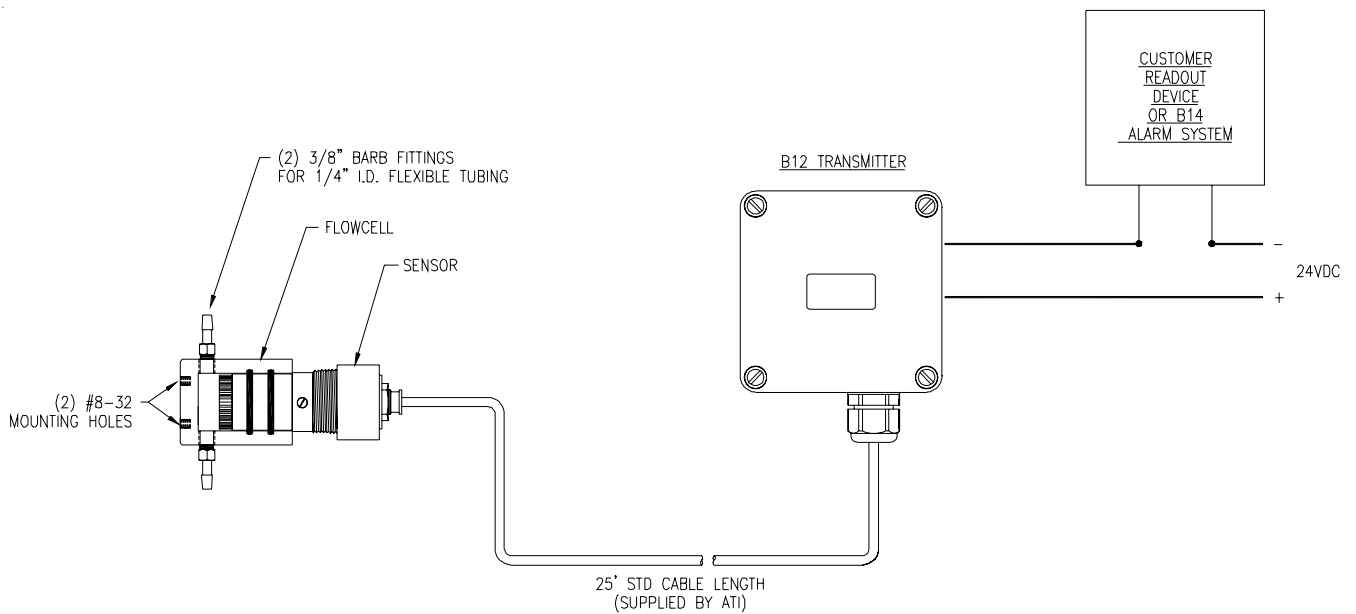


TYPICAL INSERTION SYSTEM INSTALLATION



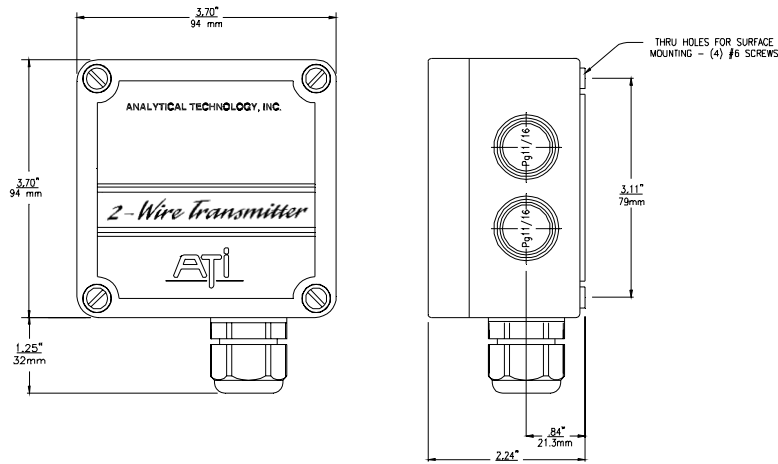
0337PM

TYPICAL FLOW THROUGH SYSTEM INSTALLATION



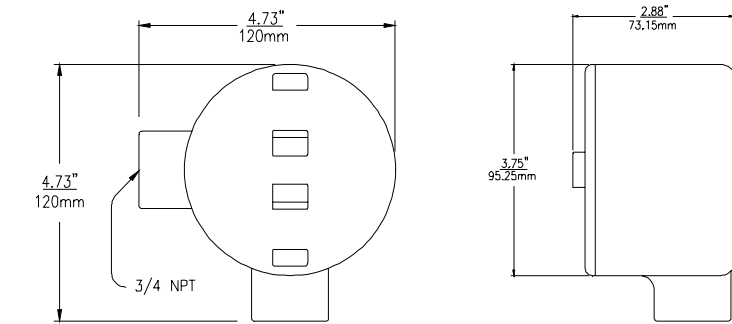
0338-1PM

B12 SENSOR / TRANSMITTER



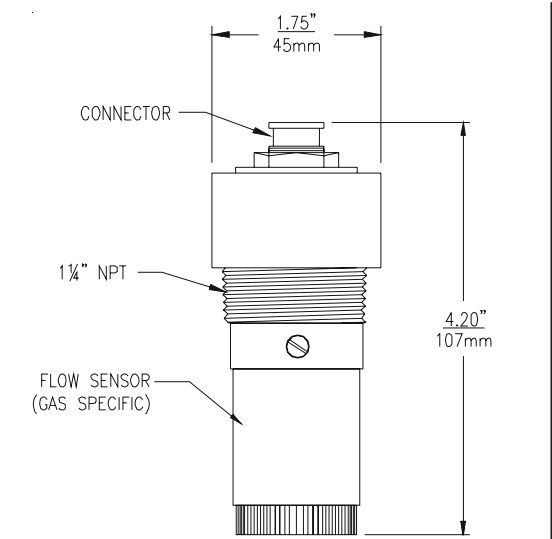
0331PM

B12 SENSOR / TRANSMITTER - EXPLOSION-PROOF

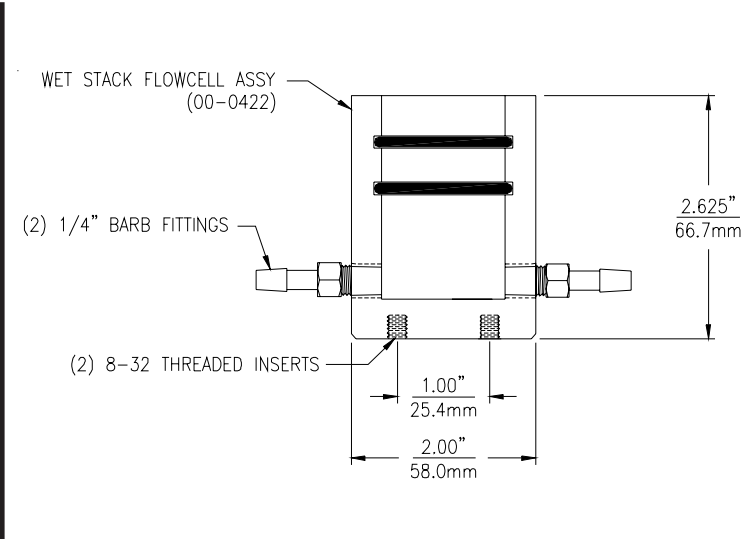


0332PM

SENSOR/FLOWCELL OVERALL DIMENSIONS



0333PM

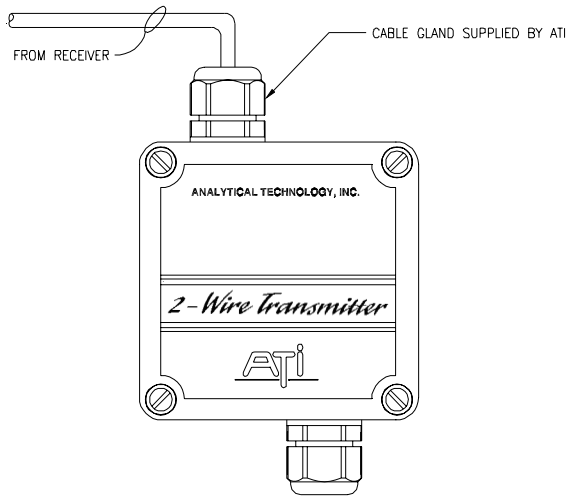


0334-1PM

NOTES

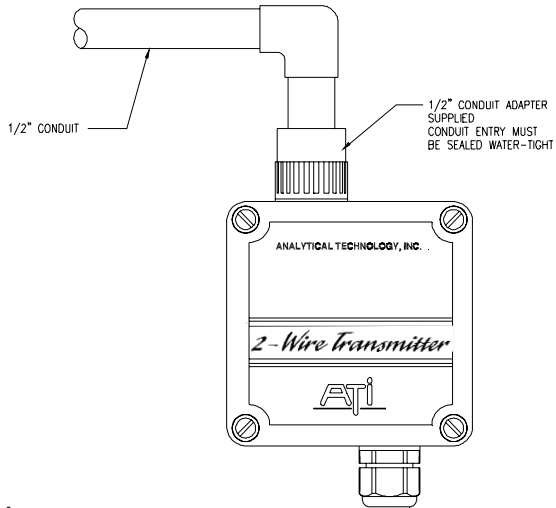
- 1) Enclosure Ratings:
Nema-4X / IP 66
 - 2) Enclosure Material:
Polystyrene base and cover, Standard Gray
 - 3) Knockouts:
Pg 11 (.75" dia.)
Pg 16 (.90" dia.)
-
- 1) Enclosure Ratings:
CLASS I, GROUPS B,C,D
CLASS II, GROUPS E,F,G
CLASS III
 - 2) Assembly is normally mounted directly to suitable explosion-proof conduit.
 - 3) To maintain the integrity of the transmitter, explosion-proof conduit and cable entry seals are required by local electrical codes.

CABLE GLAND INSTALLATION



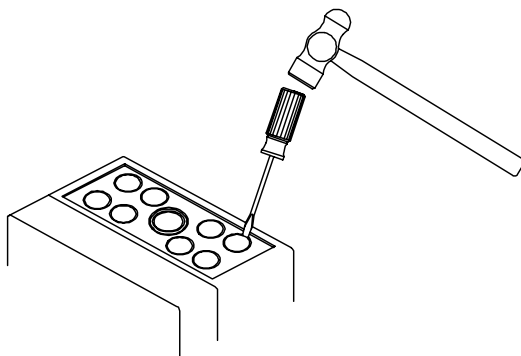
0335PM

CONDUIT MOUNT INSTALLATION



0336PM

REMOVING KNOCKOUTS



NOTES

- 1) Mount Transmitter to wall with screws inserted in blind mounting holes, (accessible with cover removed).
- 2) Cable gland supplied uses Pg 11 knockout. Use extreme care in removing knockout. Score inside of concentric knockout with razor knife.
- 3) Sun shade is recommended for outdoor applications.

- 1) Transmitter may be supported by conduit or screwed to wall through blind mounting holes.
- 2) Sun shade is recommended for outdoor applications.

- 1) To remove knockouts, place a thin bladed screwdriver into the circular slot or the desired knockout size and tap firmly with a hammer.
- 2) Remove Transmitter PCB prior to removing knockouts, to prevent damage to the PCB.