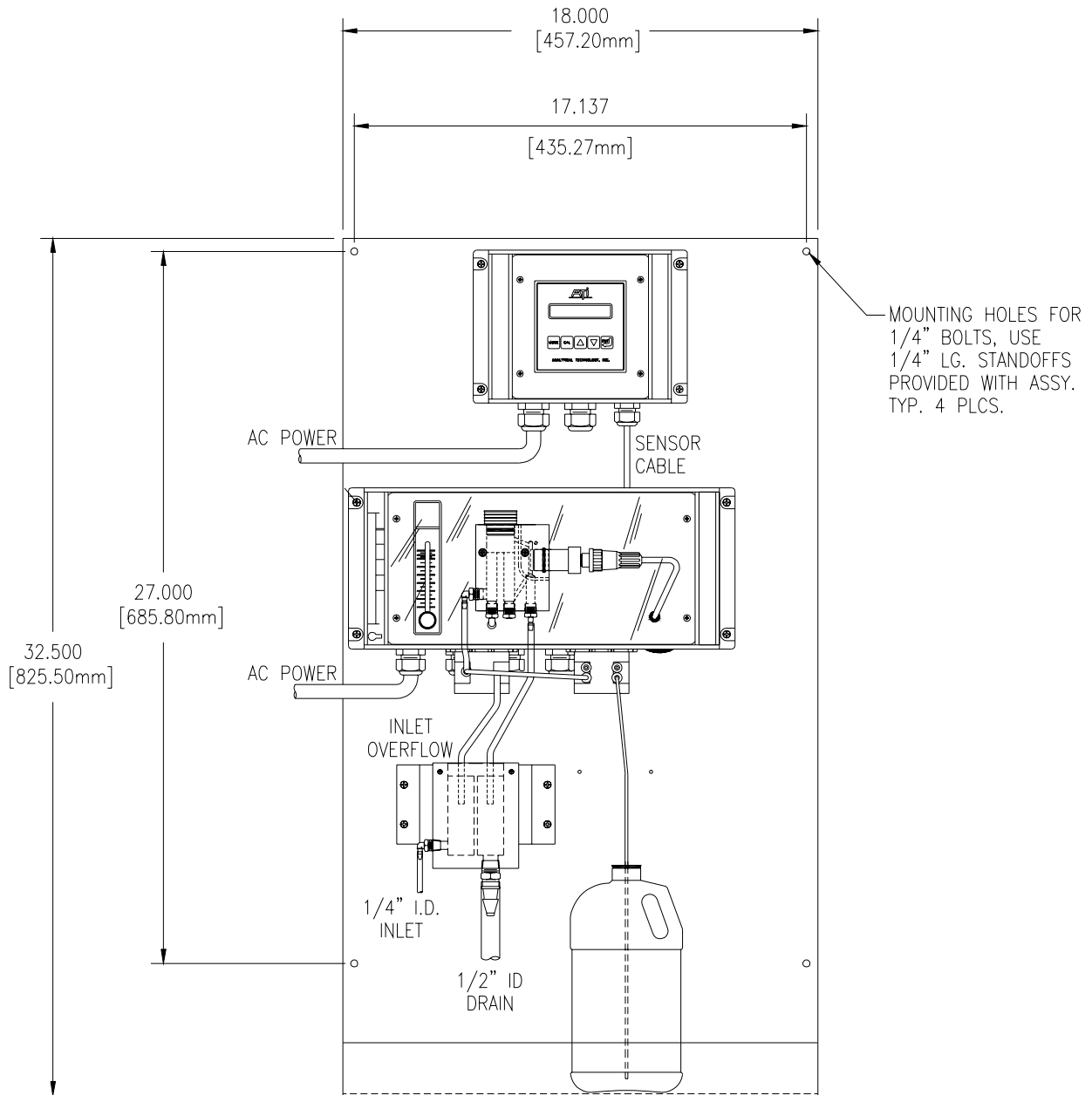
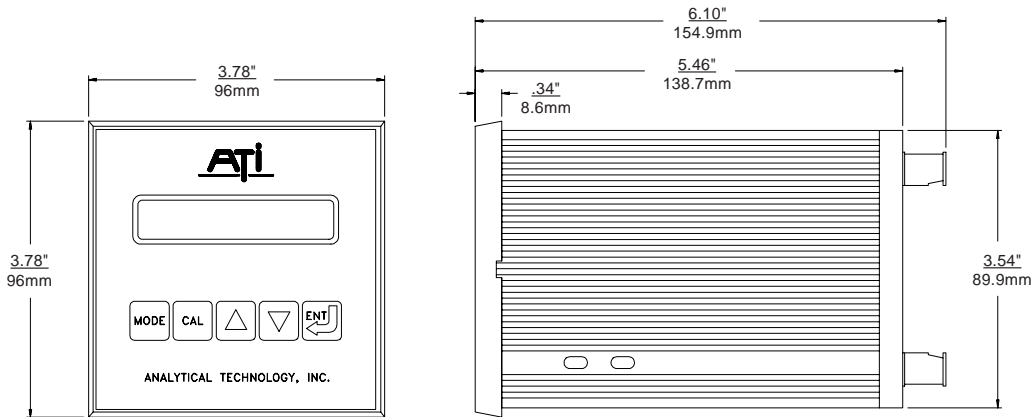


WALL MOUNT SYSTEM CONFIGURATION



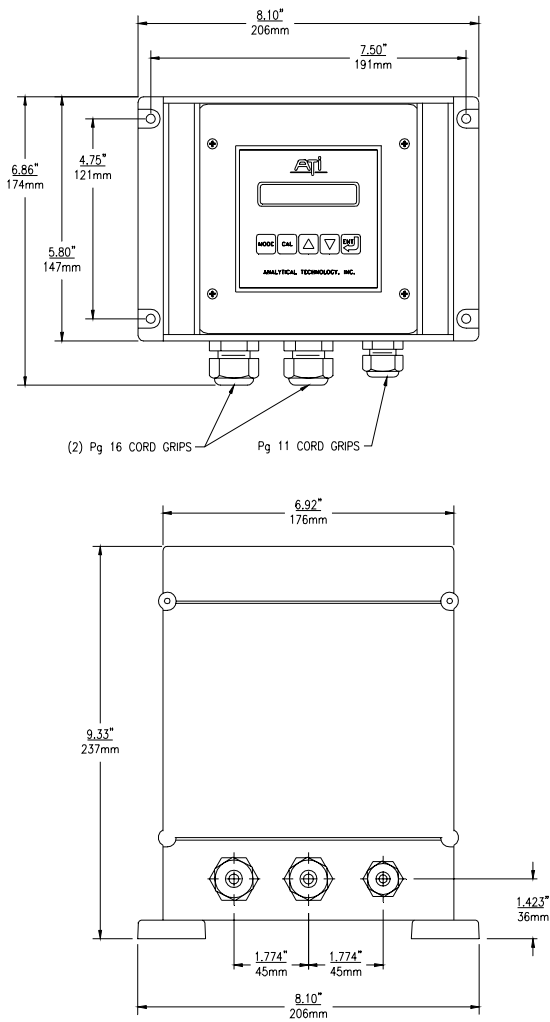
ATI-0566

PANEL MOUNT VERSION



ATI-0124

NEMA-4X VERSION

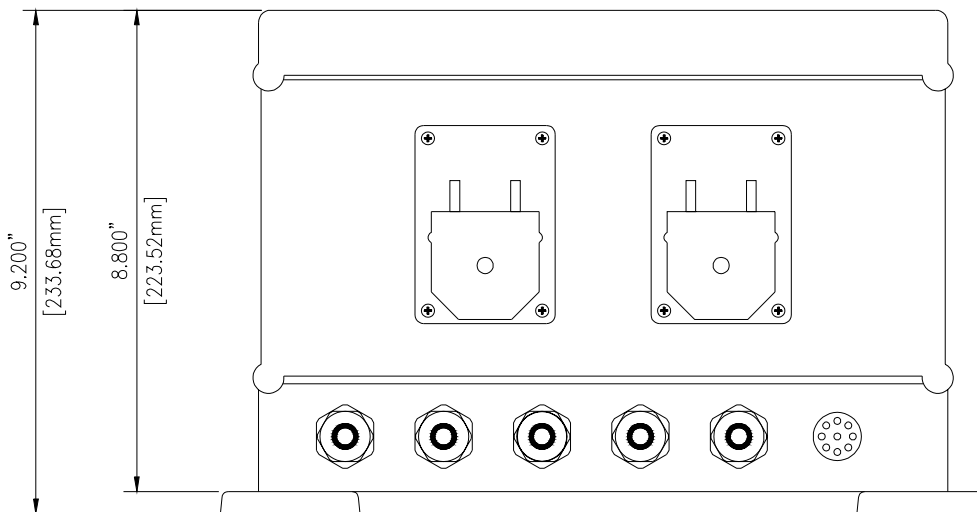
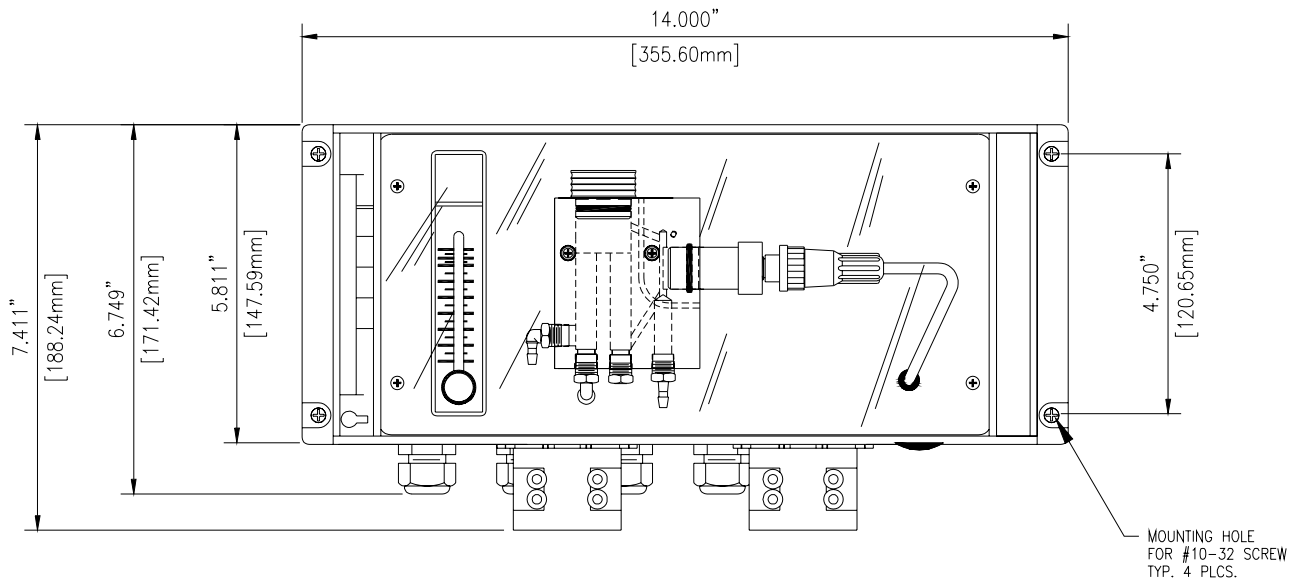


ATI-010

NOTES

- 1) Panel Mount Enclosure Material:
Aluminum, Black Anodized
- 2) Nema-4X Enclosure Material:
Base: Molded ABS, tan in color
Cover: Clear Lexan, tan in color
- 3) Nema-4X Rating:
NEMA rated types 4,4X
IEC 529 rated IP66
flammability rating UL94 HB

CHEMISTRY ENCLOSURE



ENCLOSURE MATERIAL:

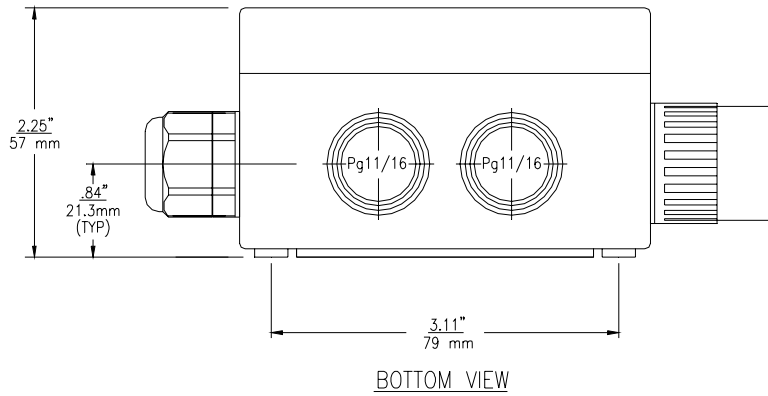
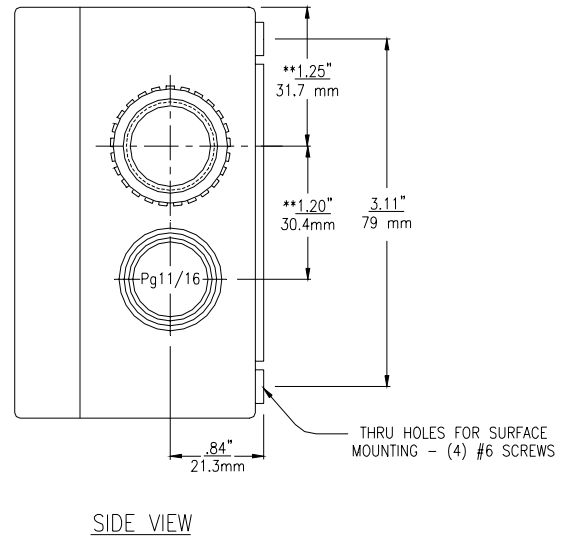
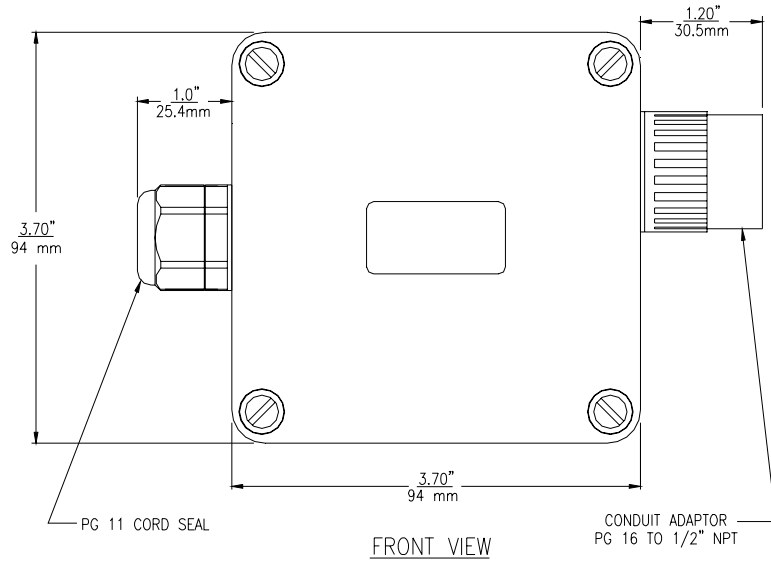
Base: Molded ABS, tan in color.
Cover: Clear Lexan w/dual hinge

RATINGS:

Nema rated types 4, 4X
IEC 529 rated IP66
Flammability rating UL94 HB

ATI-0549

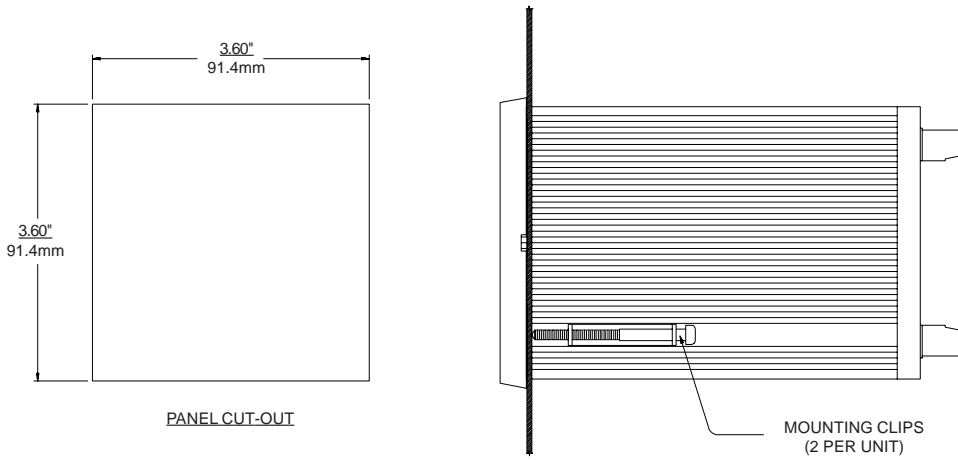
JUNCTION BOX - (00-0048)



Enclosure Mat:
Polystyrene, Grey in color

Ratings:
Nema 4x, IP66

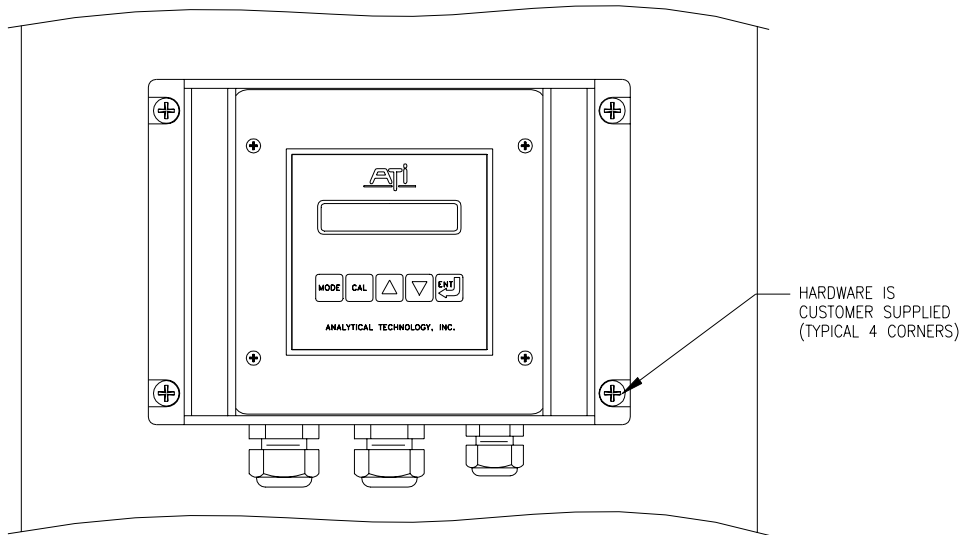
PANEL MOUNT



ATI-0125, RA, (10/95)

- 1) Front of panel is NEMA 1, general purpose only.
- 2) Panel mounting clips supplied with monitor.

WALL MOUNT - NEMA-4X

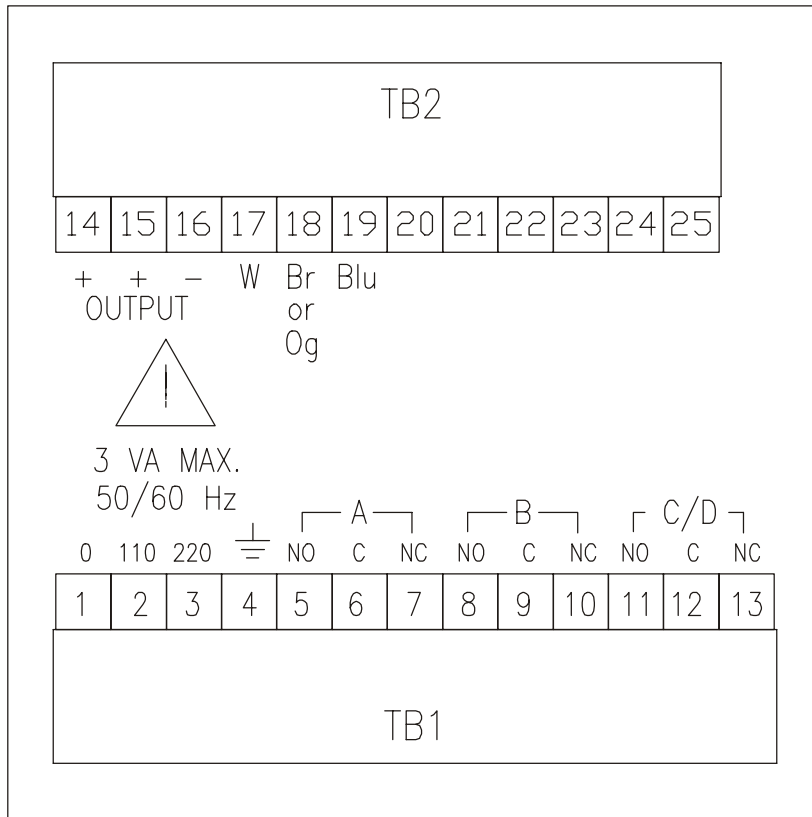


ATI-0126

- 1) Wall mounting requires customer supplied screws or bolts.

A15/66 DISSOLVED SULFITE MONITOR

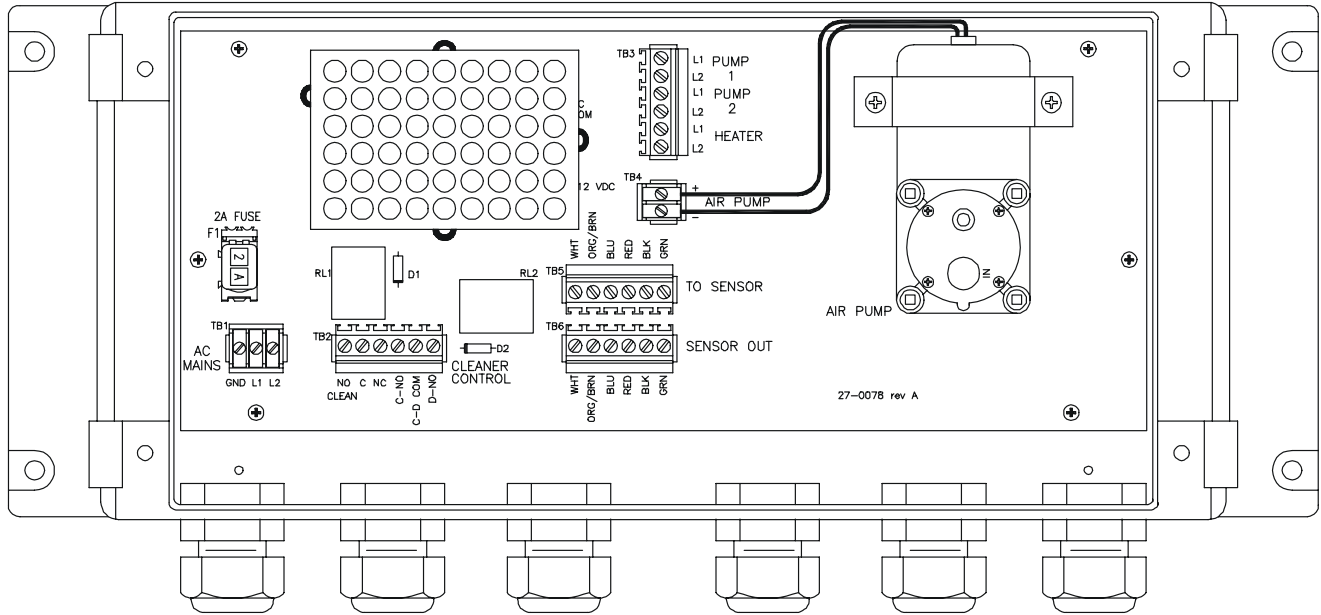
A15/66 DISSOLVED SULFITE MONITOR
(BACK VIEW)



ATI-0385

<ul style="list-style-type: none"> 1: AC POWER - Neutral 2: AC POWER - 110V - HOT 3: AC POWER - 220V - HOT 4: AC - GROUND 5: RELAY A - Normally Open 6: RELAY A - Common 7: RELAY A - Normally Closed 8: RELAY B - Normally Open 9: RELAY B - Common 10: RELAY B - Normally Closed 11: CLEANER RELAY C - Normally Open 12: RELAY C/D - Common 13: ALARM RELAY D - Normally Closed 	<ul style="list-style-type: none"> 14: mA OUTPUT (+) 15: Unused 16: mA OUTPUT (-) 17: Sensor - White 18: Sensor - Brown or Orange 19: Sensor - Blue 20: Unused 21: Unused 22: Unused 23: Unused 24: Unused 25: Unused
--	---

AC POWER WIRING CHEMISTRY ENCLOSURE (CUSTOMER CONNECTIONS)



ATI-0550

MONITOR w/ JUNCTION BOX WIRING

