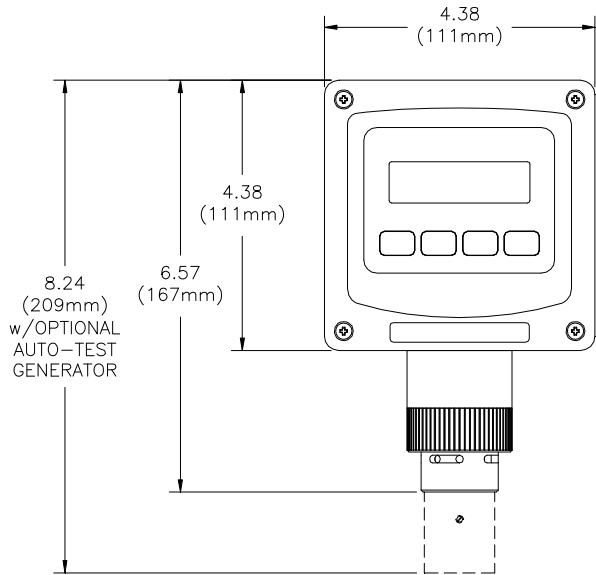
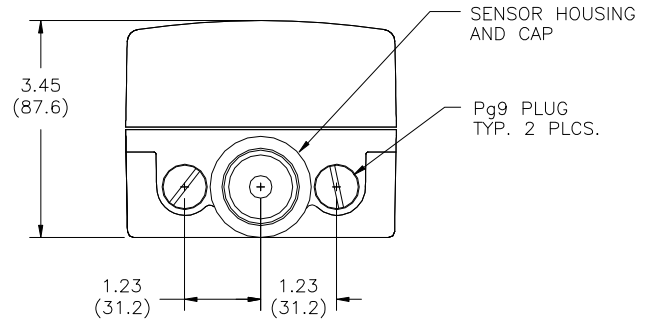


RS485 & JUNCTION BOX ENCLOSURE DIMENSIONS



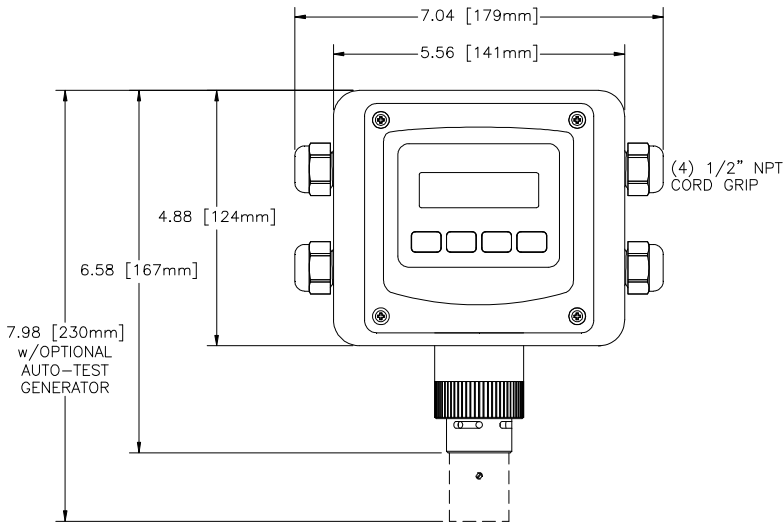
ATI-0818a



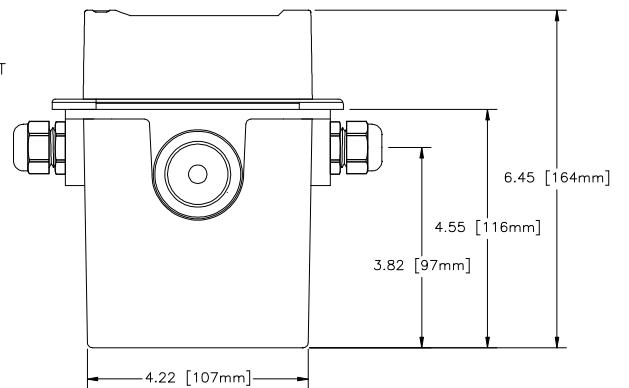
NOTES:

- 1) **Enclosure Matl:** Grey Polycarbonate w/S.S. Hardware Weatherproof & Corrosion resistant
- 2) **Ratings:** Nema 4X
- 3) Junction box DOES NOT contain an LCD front Panel

AC or DC POWERED ENCLOSURE DIMENSIONS



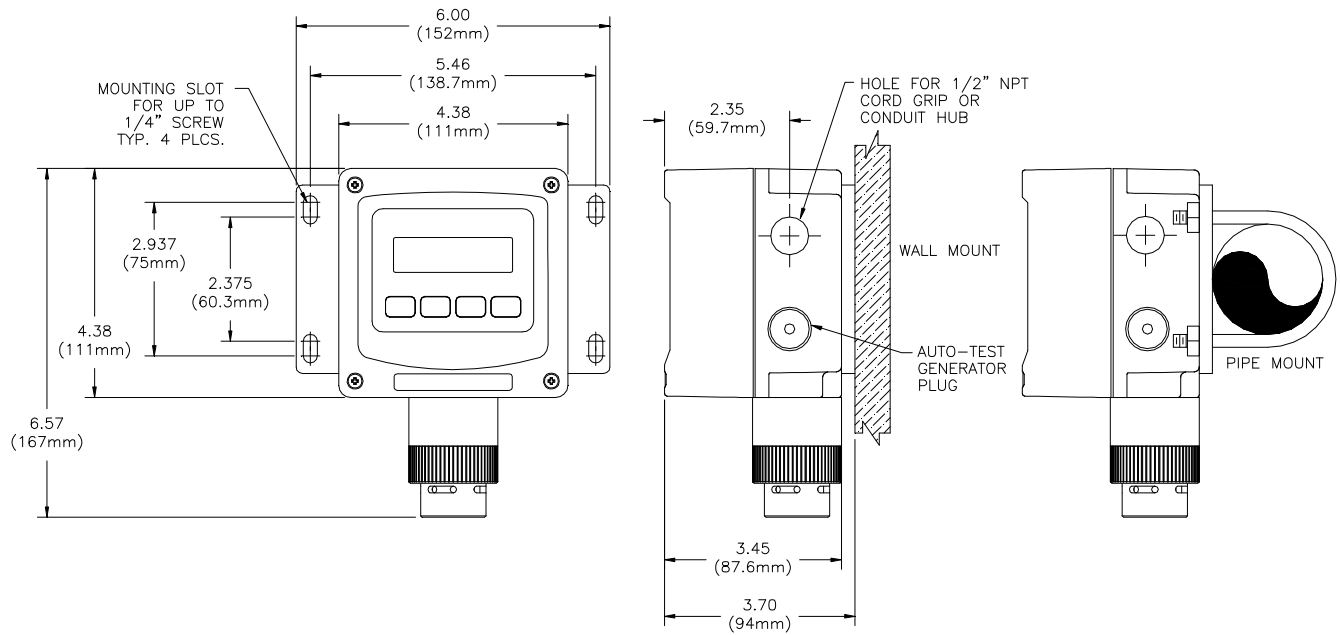
ATI-0841a



NOTES:

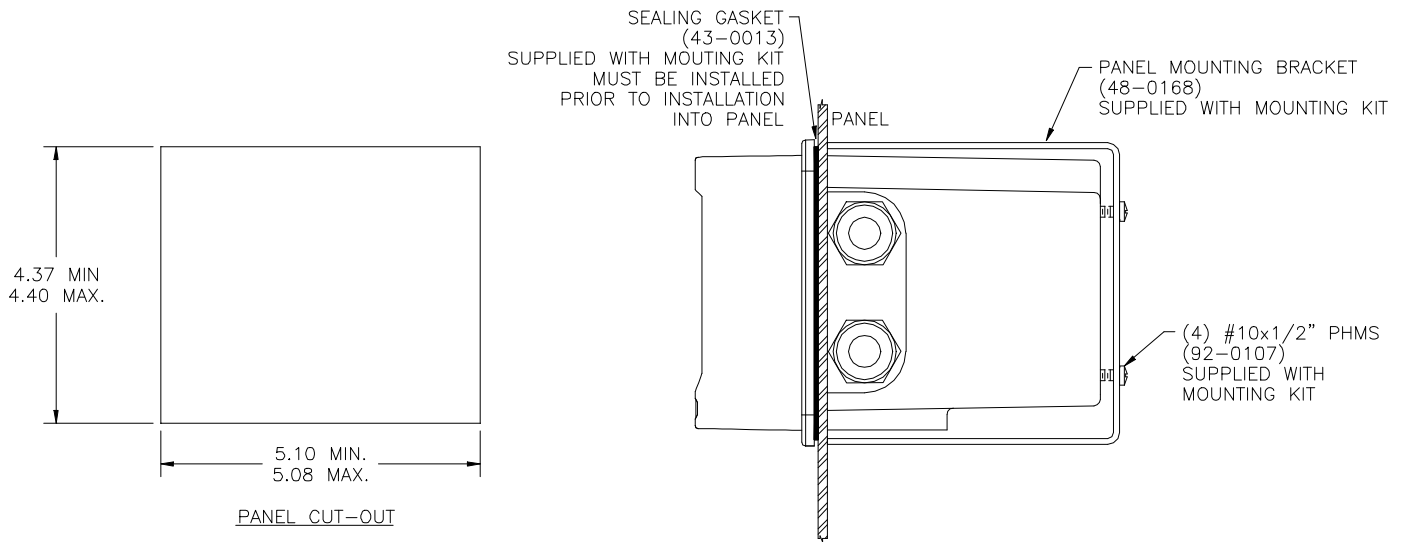
- 1) **Enclosure Matl:** Grey Polycarbonate w/S.S. Hardware Weatherproof & Corrosion resistant
- 2) **Ratings:** Nema 4X

ENCLOSURE MOUNTING OPTIONS



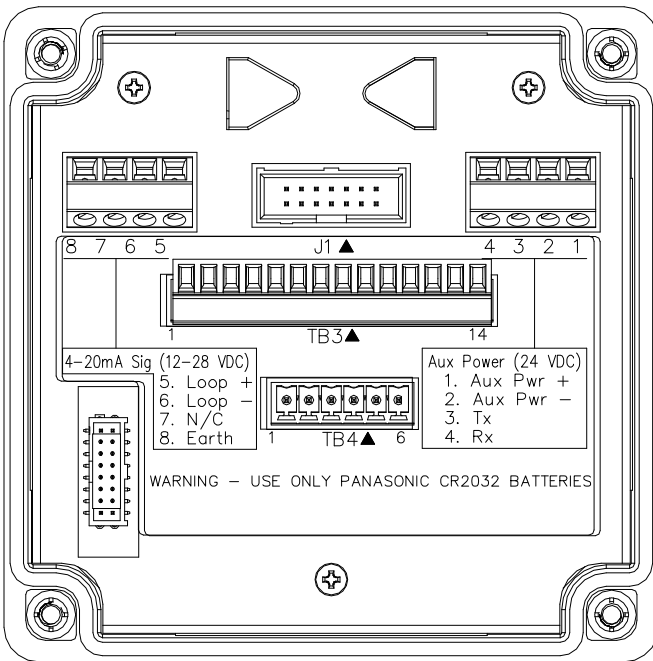
ATI-0821

PANEL MOUNT TRANSMITTER



ATI-0842

TRANSMITTER CONNECTIONS

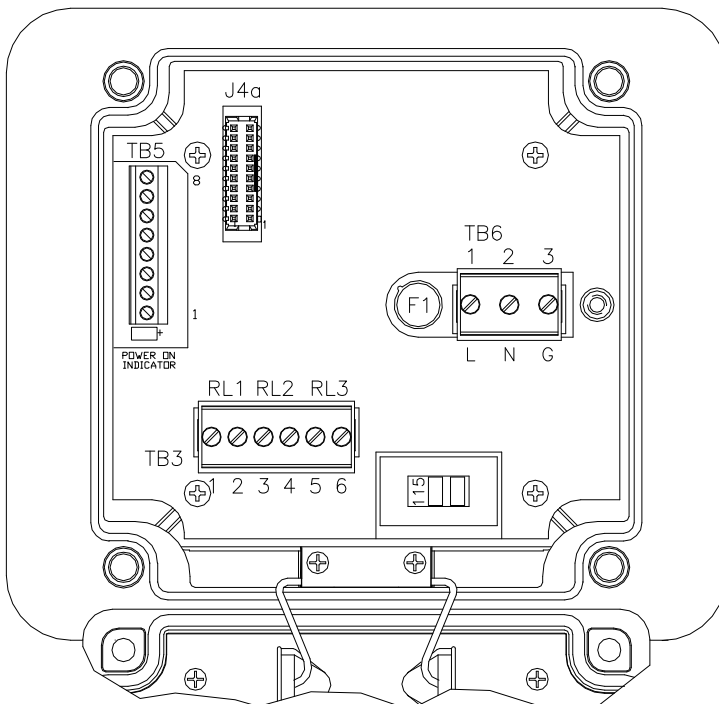


SENSOR CONNECTIONS		
TB3 POSITION	SENSOR WIRES	GENERATOR WIRES
1	WHITE	
2	YELLOW	
3	BLUE	BLUE
4	PURPLE	WHITE
5	GRAY	
6		GREEN
7	BLACK	
8	BROWN	BLACK
9	RED	RED
10	ORANGE	ORANGE
11		WHT/BLK
12	GREEN	

Power & Communication Terminals	
Terminal	Description
1	Communication interface supply (+), 10 to 28VDC. Required for RS232 and RS485 only, not HART.
2	Communication interface supply common (-)
3	RS232 Tx, RS485 A Signal
4	RS232 Rx, RS485 B Signal
5	Transmitter current loop output (-).
6	Transmitter current loop output (-).
7	Communication interface signal common (-).
8	Earth Ground

ATI-0844

RELAY BOARD CONNECTIONS



J4a
CONNECTS TO (AUX)
ON FRONT LID OF TRANSMITTER

- TB3
- 1 - RL1 Contact NO
 - 2 - RL1 Contact C
 - 3 - RL2 Contact NO
 - 4 - RL2 Contact C
 - 5 - RL3 Contact NC
 - 6 - RL3 Contact C

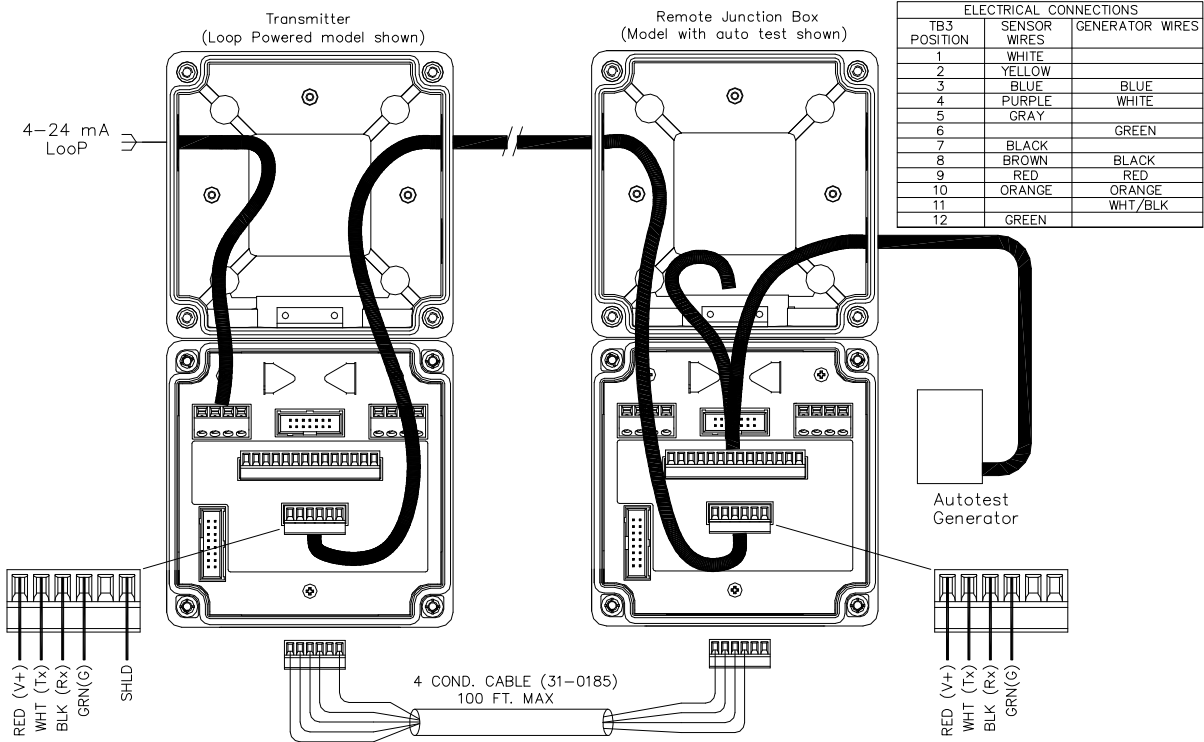
- TB5
- 1 - RS232/485 Power (+)
 - 2 - Remote Reset (+)
 - 3 - Remote Reset (-)
 - 4 - RS232/485 Power (-)
 - 5 - Heater (Lo)
 - 6 - Heater (Hi)
 - 7 - Loop Power (+)
 - 8 - Loop Power (-)

- TB6 - (AC PWR)
- 1 (L) - 115/230VAC, 60/50 Hz.
 - 2 (N) - Neutral
 - 3 (G) - Ground

- TB6 - (DC PWR)
- 1 (+) - 12-30VDC
 - 2 (-) - COMMON
 - 3 (G) - Ground

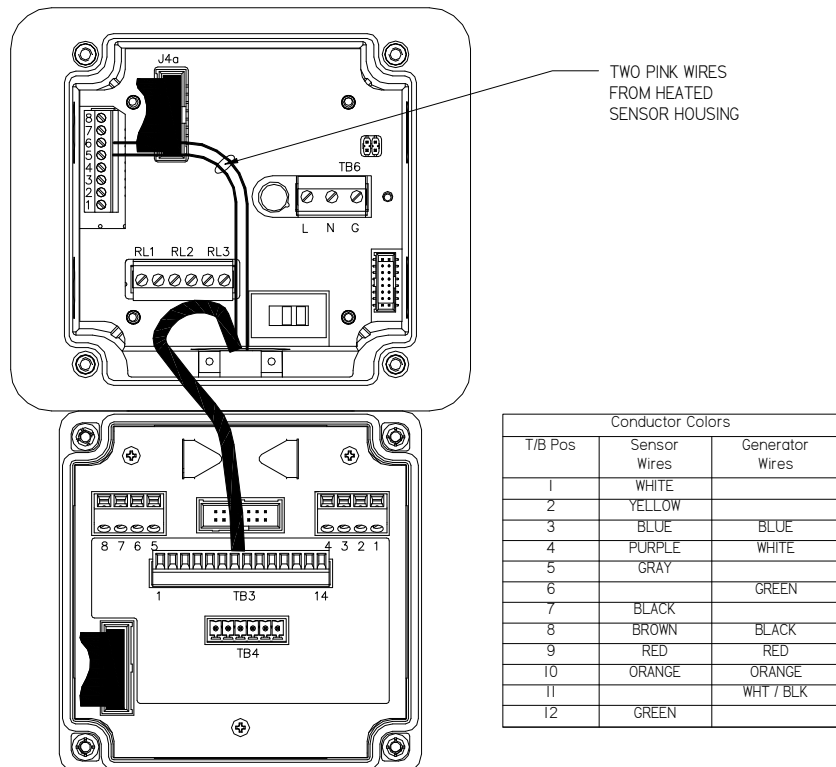
ATI-0847

REMOTE SYSTEM INTERCONNECT WIRING DIAGRAM



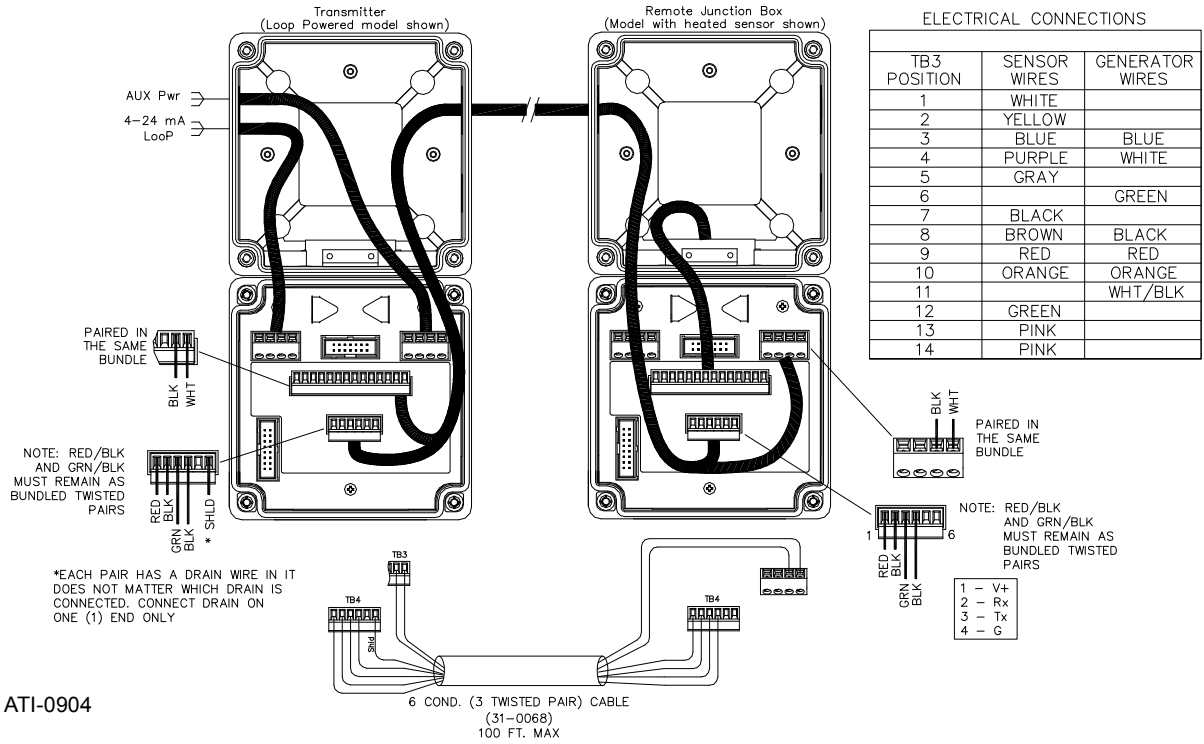
ATI-0840

HEATED SENSOR (00-1699) WIRING DIAGRAM (INTEGRAL)



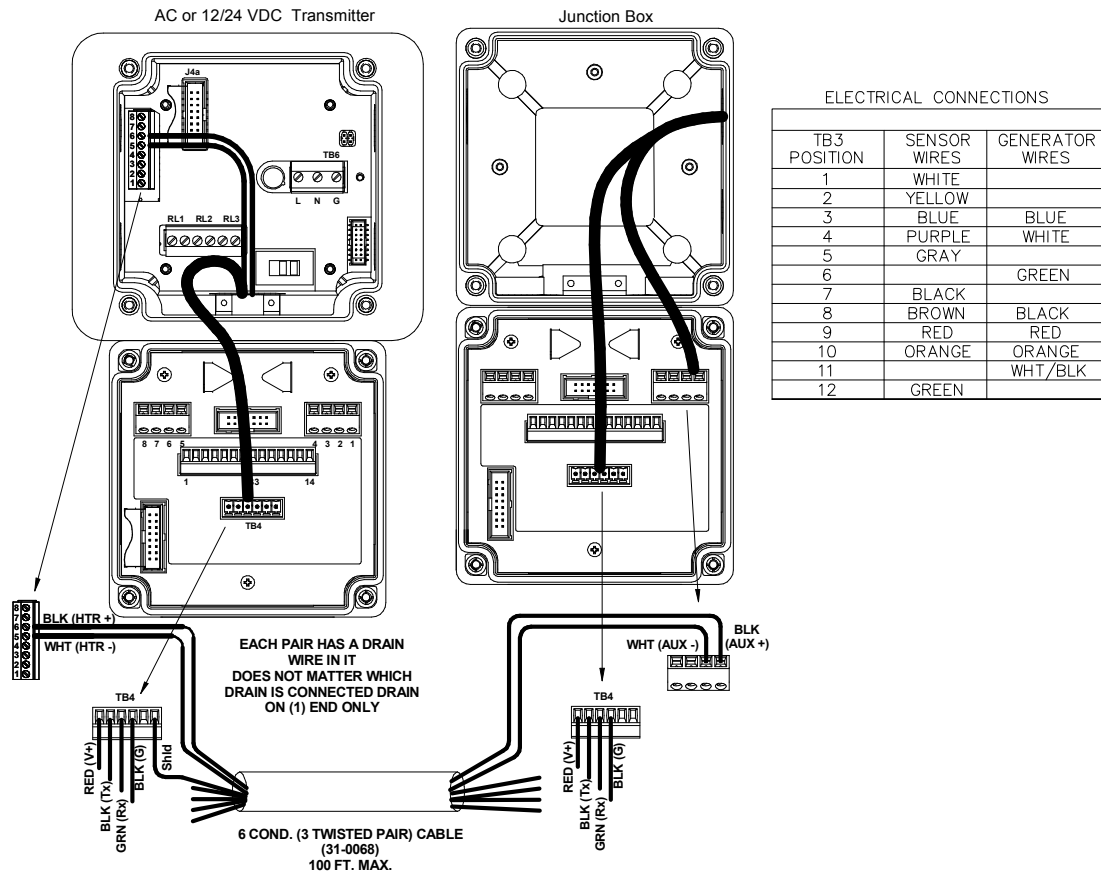
ATI-0903

REMOTE SYSTEM (w/HEATED SENSOR) INTERCONNECT WIRING DIAGRAM (LOOP POWERED)

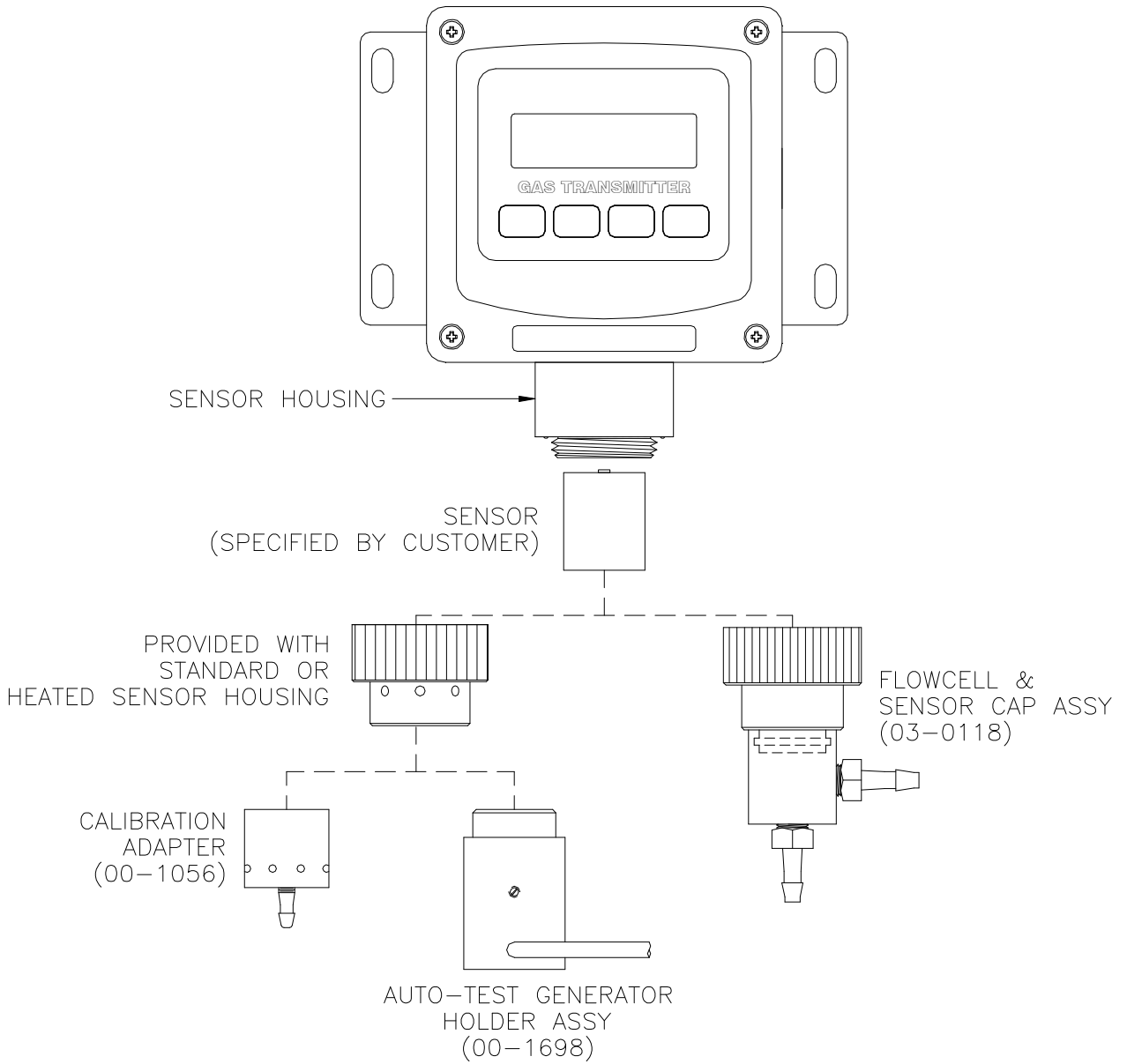


ATI-0904

REMOTE SYSTEM (w/HEATED SENSOR) INTERCONNECT WIRING DIAGRAM (AC OR VDC POWERED)

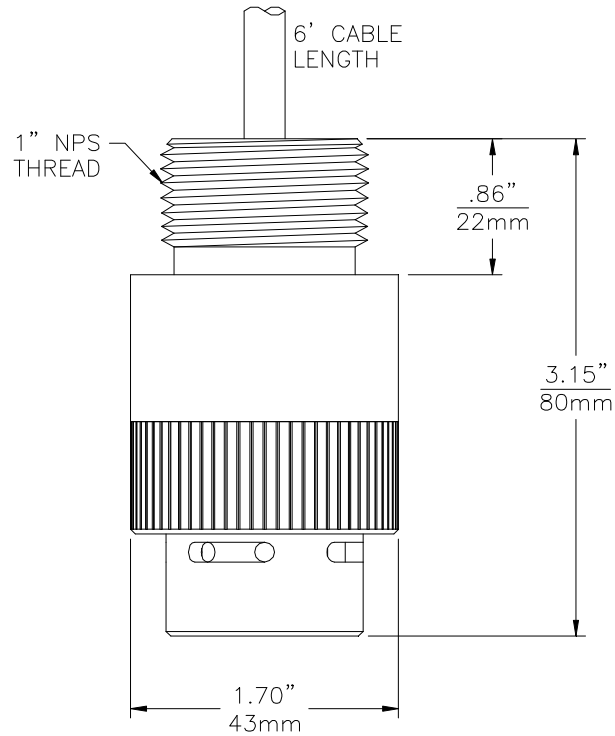


TRANSMITTER ACCESSORIES



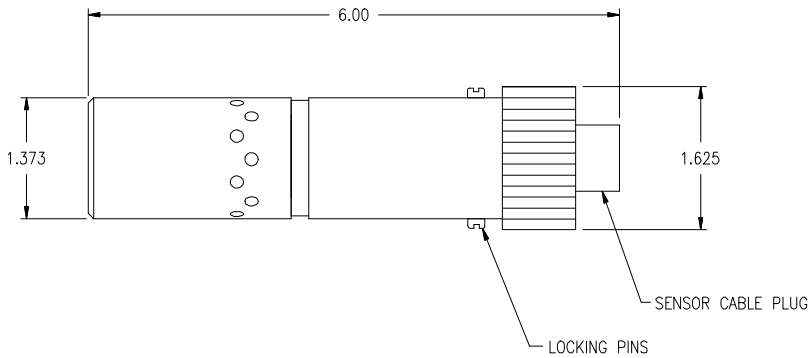
ATI-0820

**6ft. REMOTE SENSOR DIMENSIONS
(00-1702)**



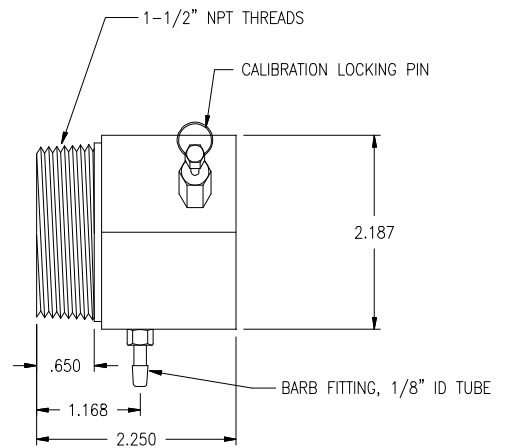
ATI-1032

INSERTION SENSOR DIMENSIONS



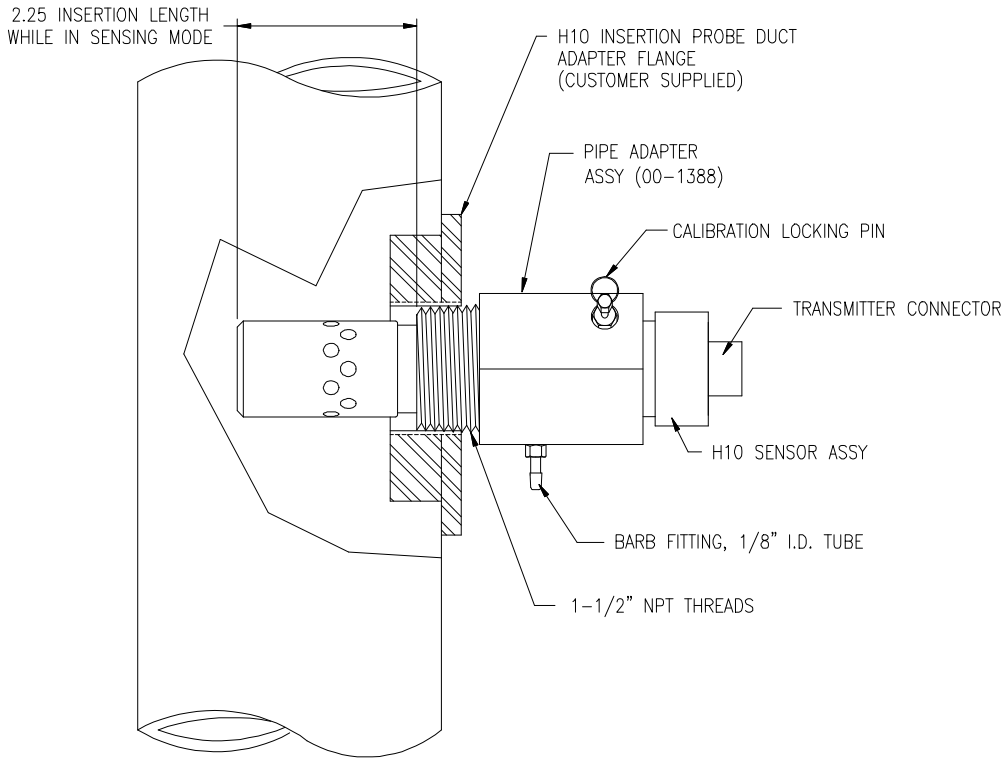
ATI-0669

PIPE ADAPTER DIMENSIONS



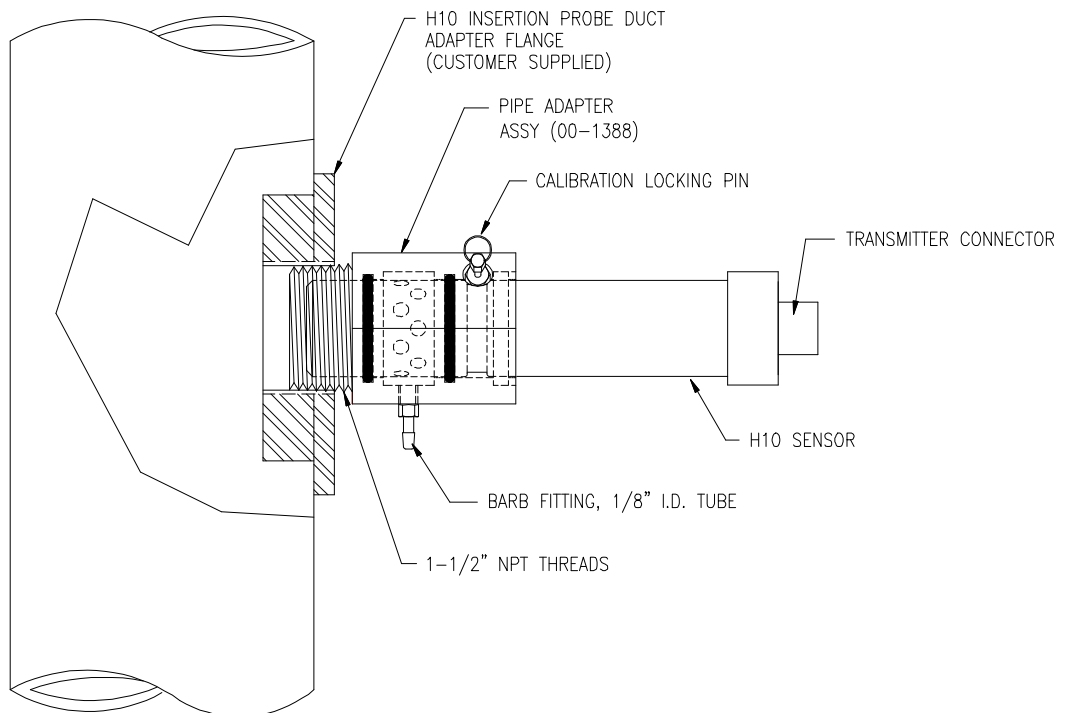
ATI-0670

INSERTION PROBE - OPERATING MODE



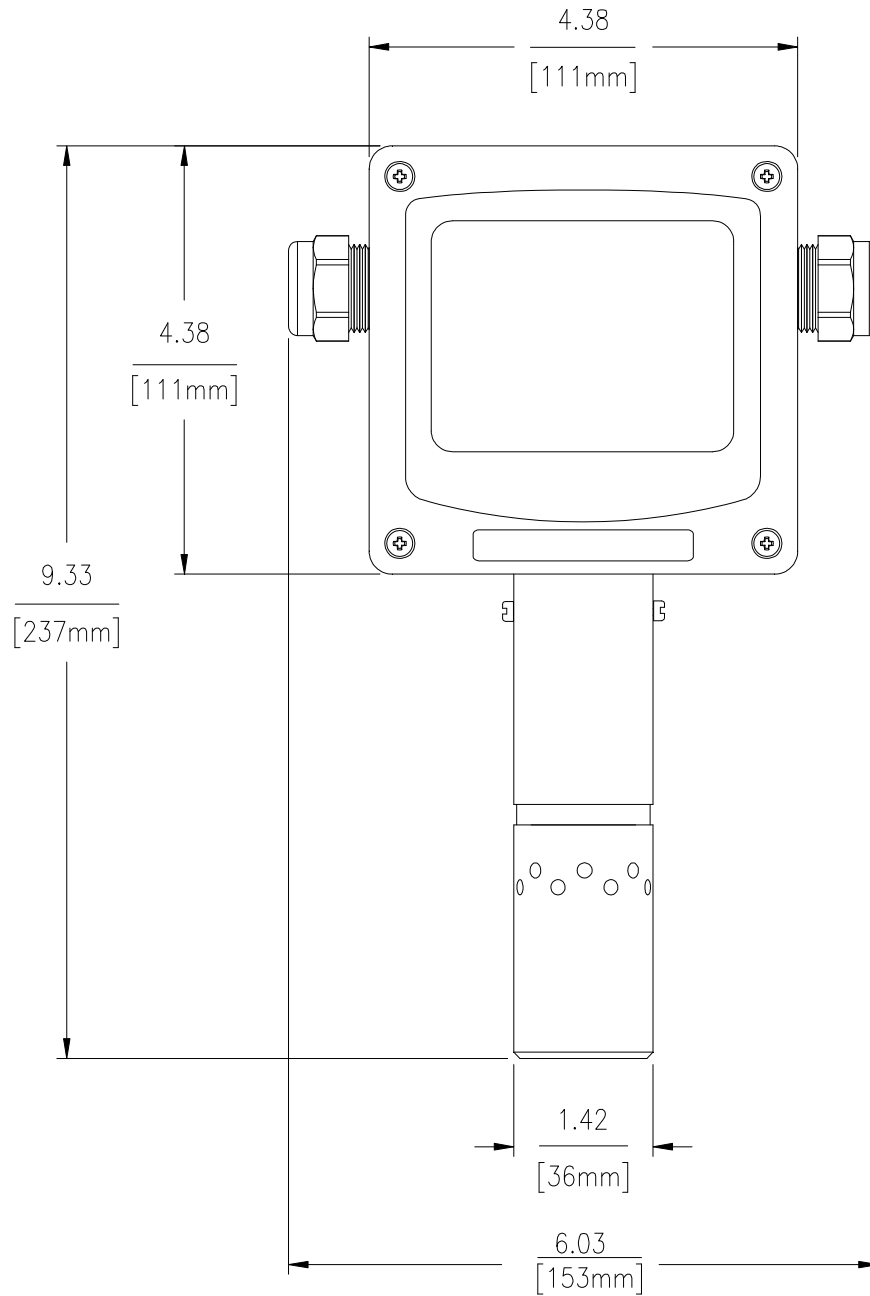
ATI-0663

INSERTION PROBE - CALIBRATING MODE



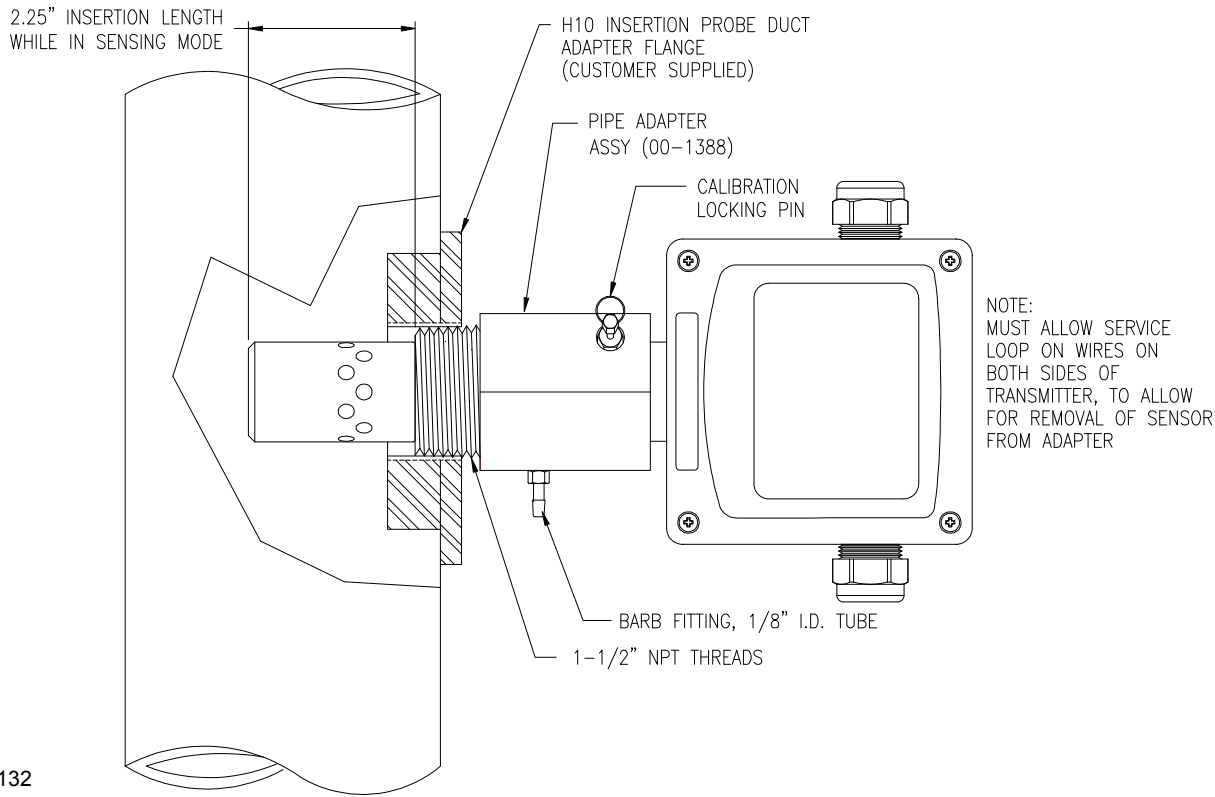
ATI-0664

INTEGRAL INSERTION PROBE - DIMENSIONS

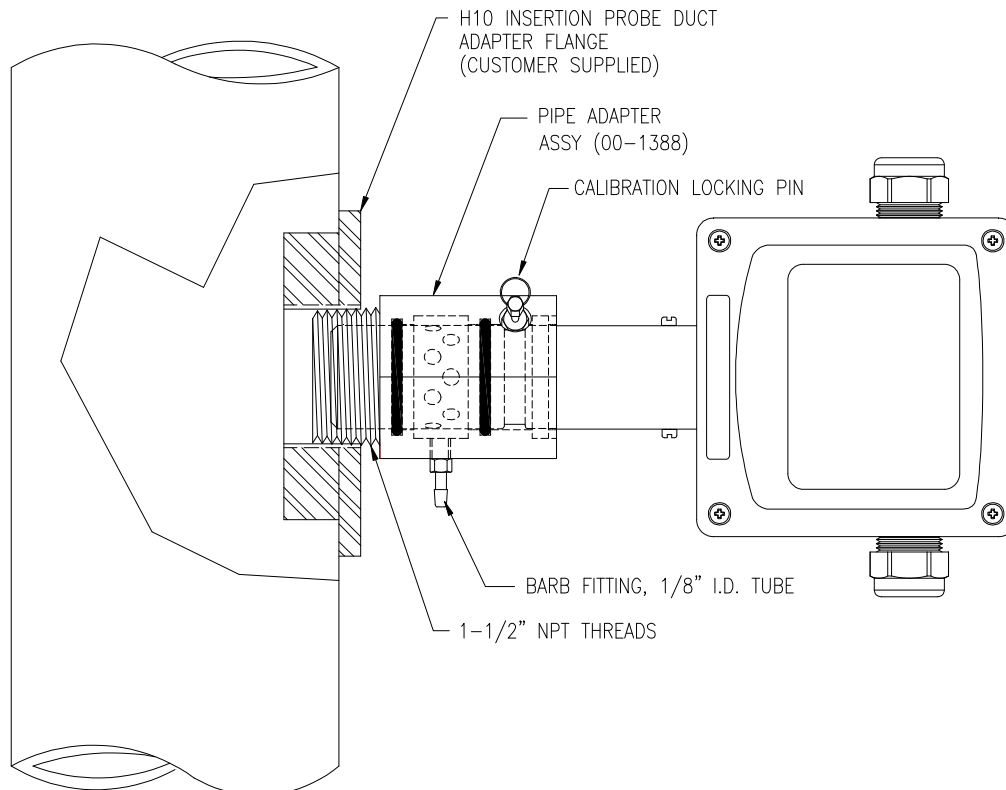


ATI-1131

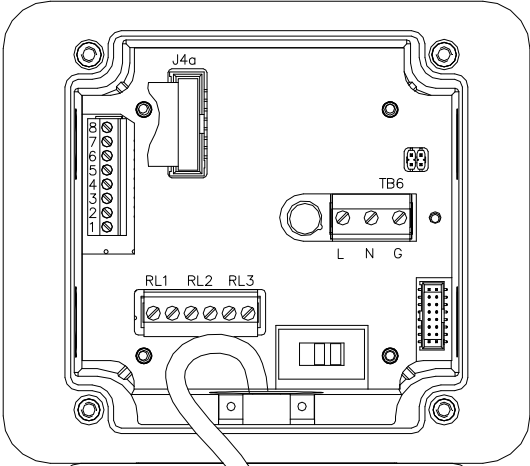
INTEGRAL INSERTION PROBE - OPERATING MODE



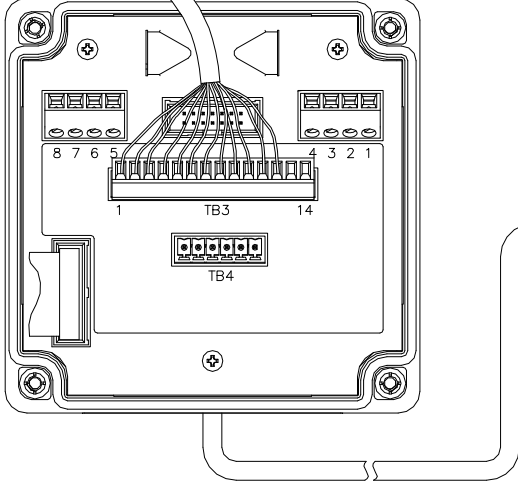
INSERTION PROBE - CALIBRATING MODE



INSERTION PROBE - WIRING DIAGRAM

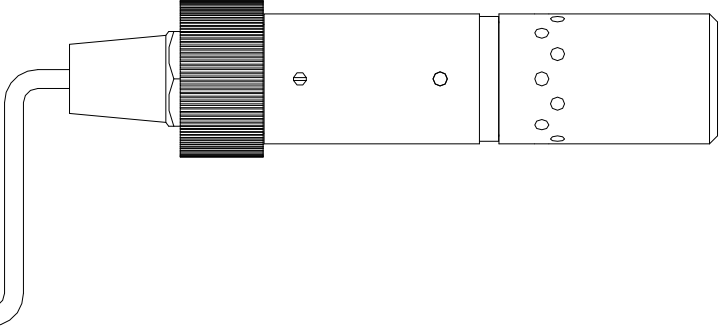


Conductor Colors	
TB3 Pos	Sensor Wires
1	WHITE FROM SHLD
2	BROWN
3	RED & (2) DRAINS
4	BLACK
5	YELLOW
6	GREEN
7	BLUE
8	VIOLET
9	GRAY
10	WHITE
11	BLK/WHT
12	BLU/WHT
13	N/C
14	NC



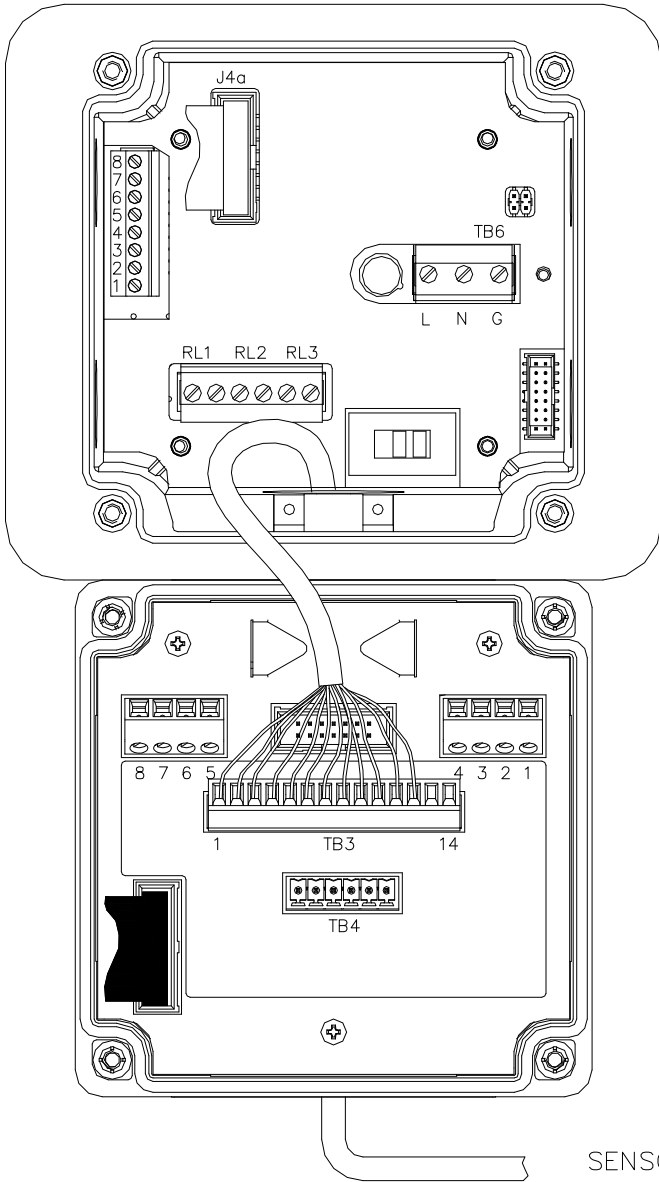
SENSOR CABLE ASSY
(03-0414)

H10 INSERTION SENSOR
(00-1649)



ATI-0876

6 FT. SENSOR CABLE - WIRING DIAGRAM



Conductor Colors	
TB3 Pos	Sensor Wires
1	WHITE
2	YELLOW
3	BLUE & (2) DRAINS
4	PURPLE
5	GRAY
6	N/C
7	BLACK
8	BROWN
9	RED
10	BLK w/ WHITE
11	N/C
12	GREEN
13	N/C
14	NC

SENSOR HOUSING w/ 6 FT CABLE

ATI-0890