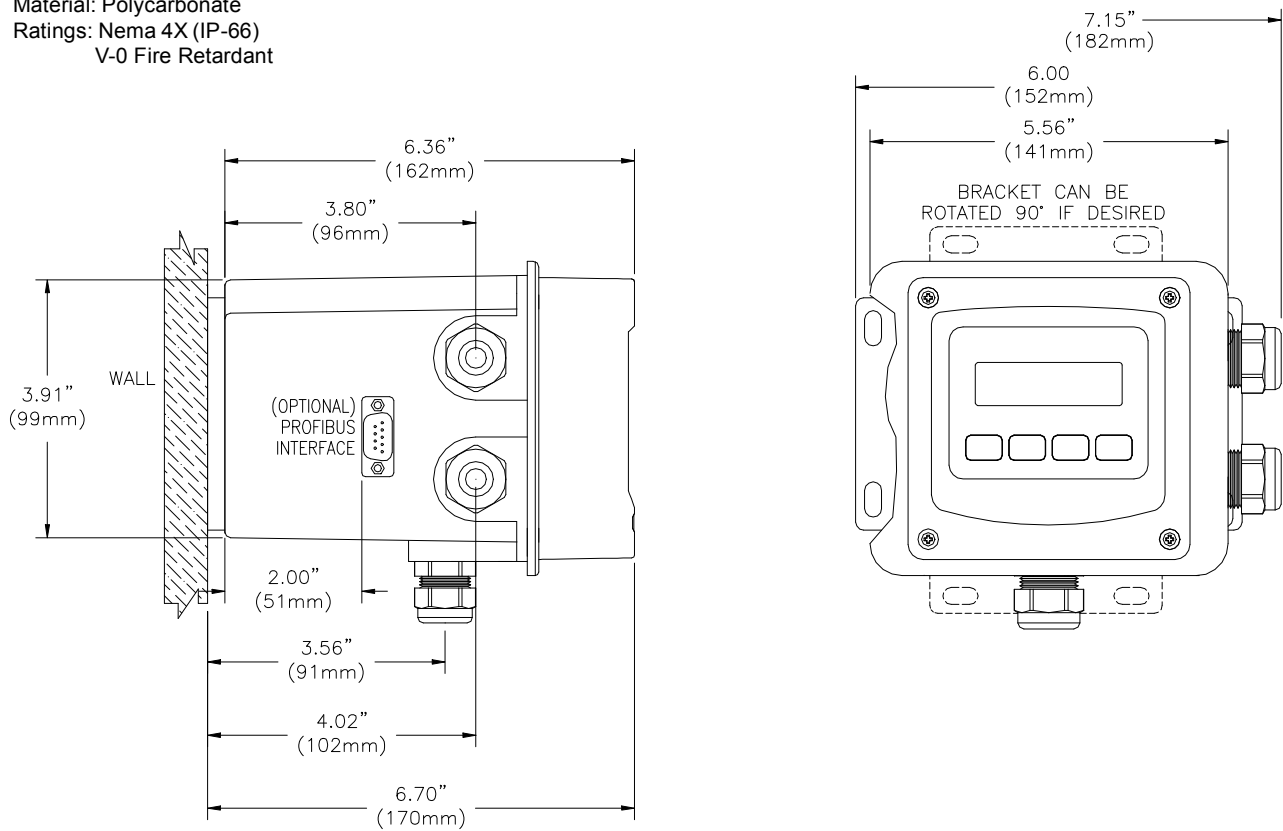


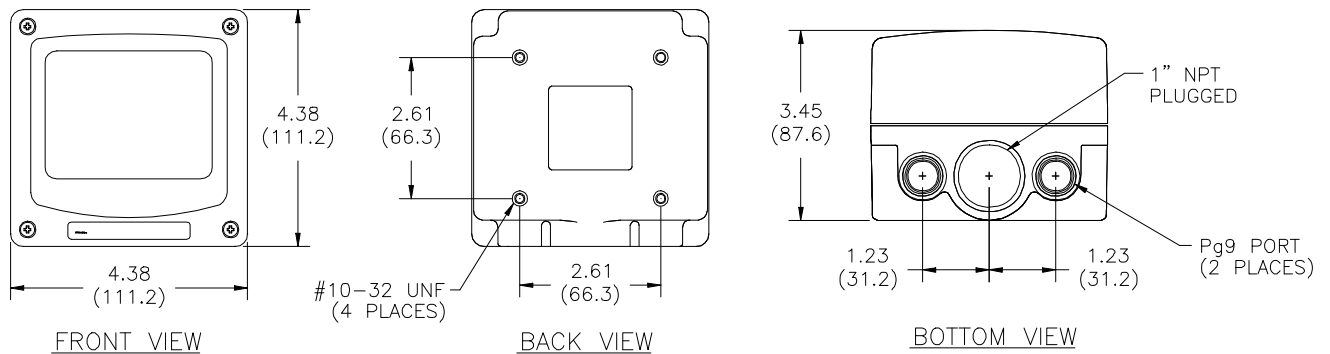
ANALYZER DIMENSIONS (WALL MOUNT SHOWN)

Material: Polycarbonate
 Ratings: Nema 4X (IP-66)
 V-0 Fire Retardant



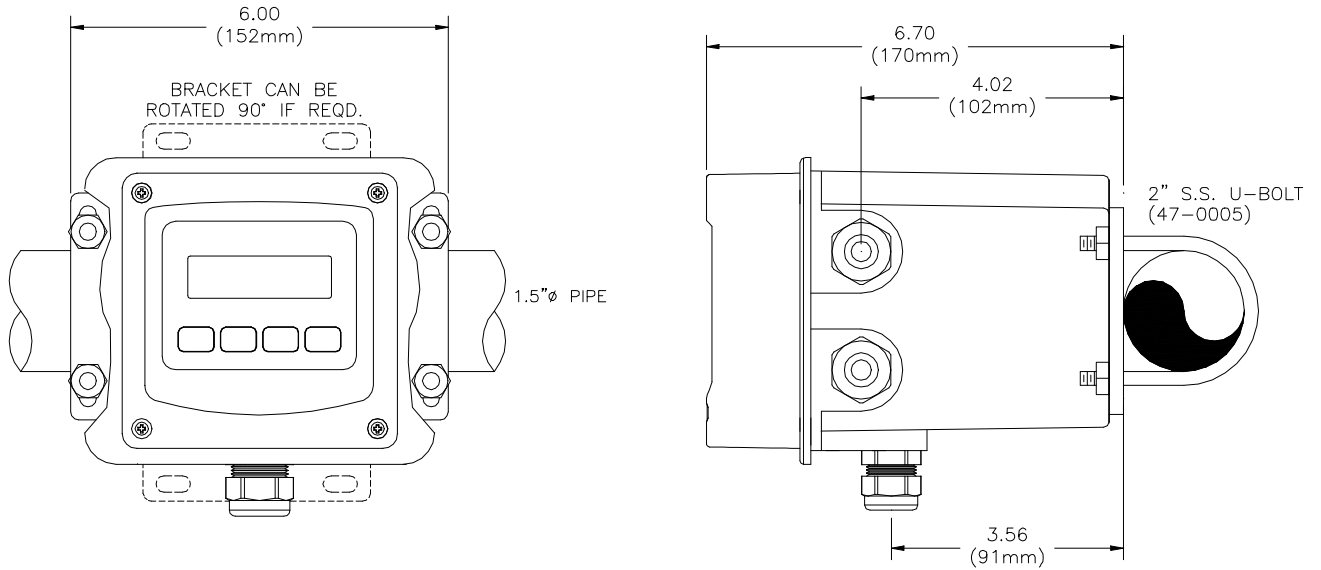
ATI-0926

JUNCTION BOX



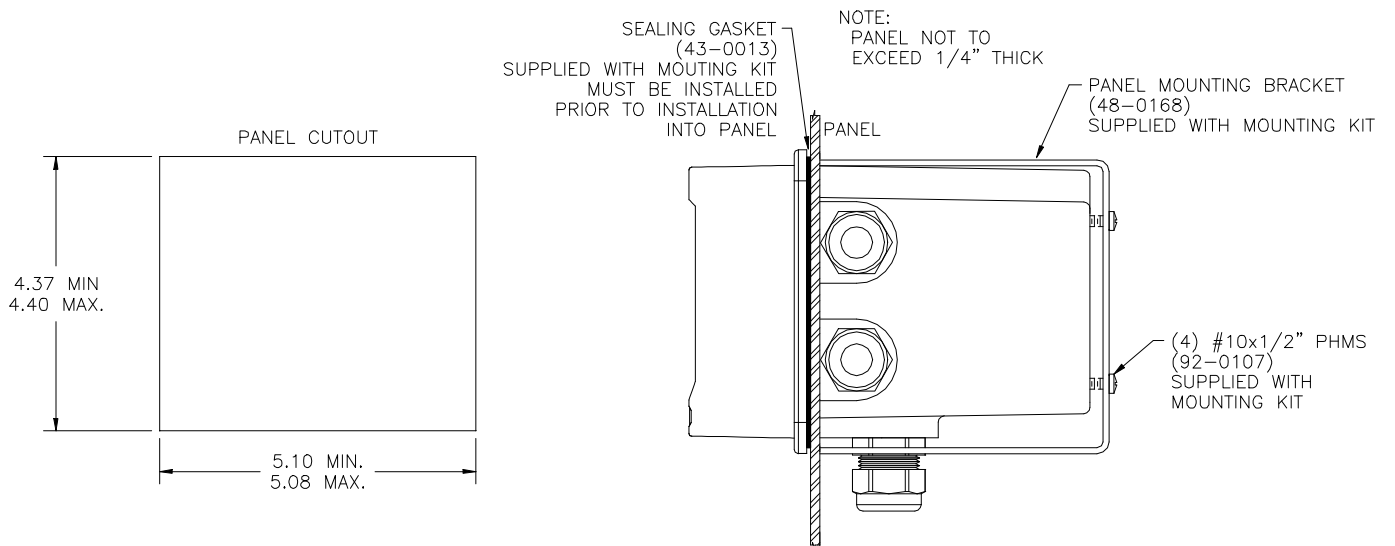
ATI-0655

PIPE MOUNTING



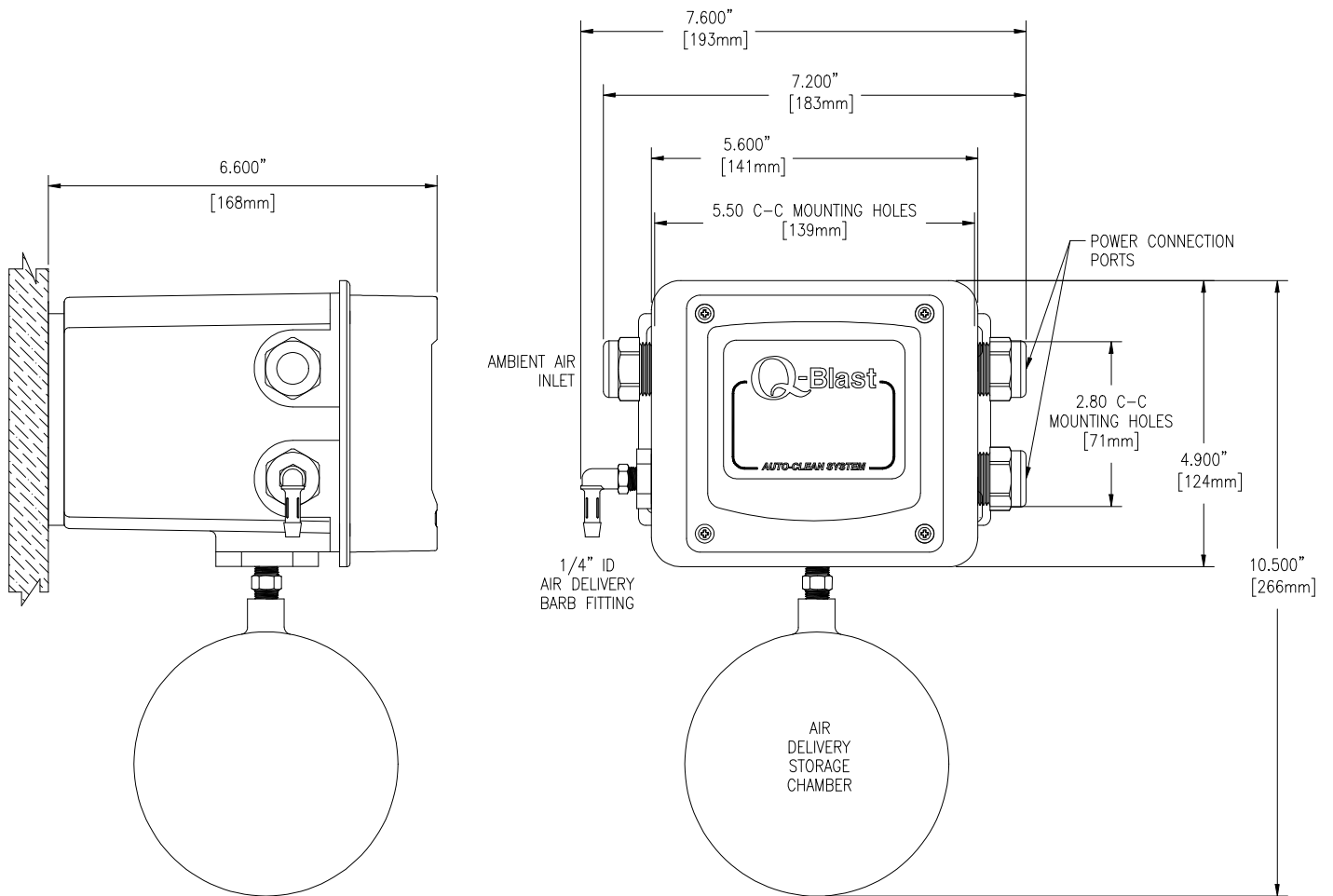
ATI-0927

PANEL MOUNTING DIAGRAM

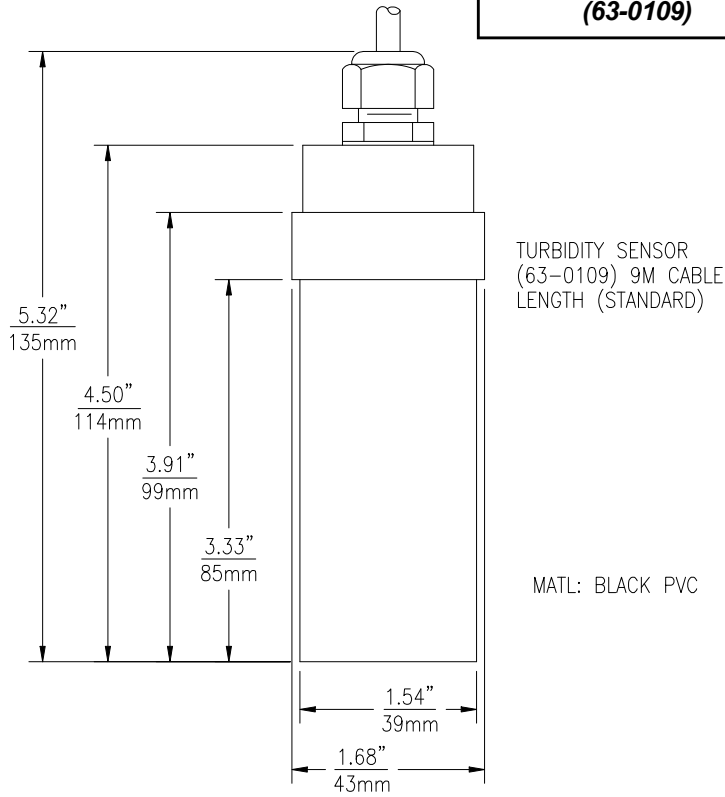


ATI-0928

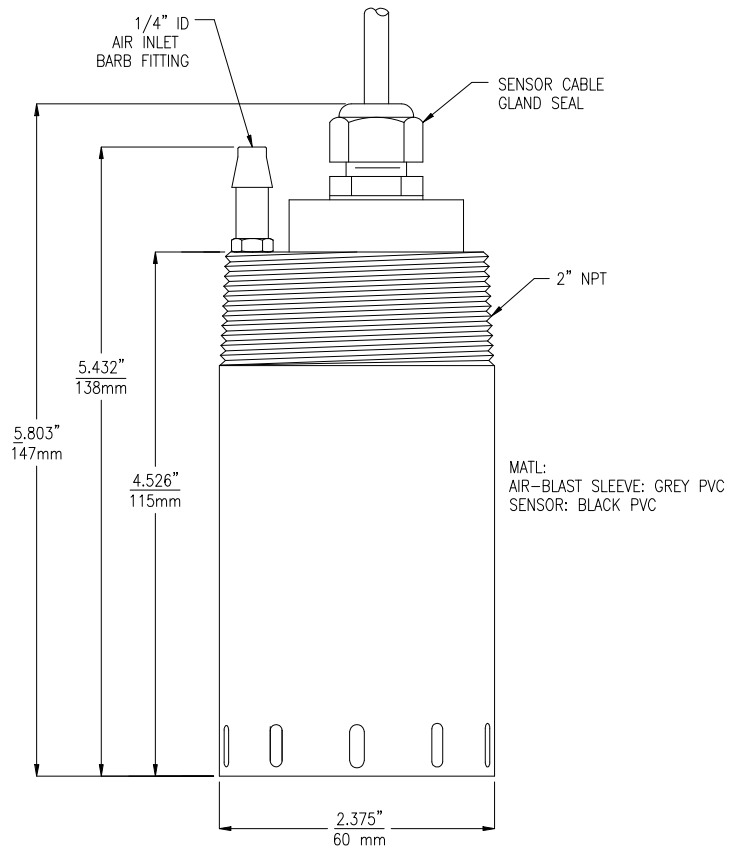
AIR-BLAST ASSEMBLY



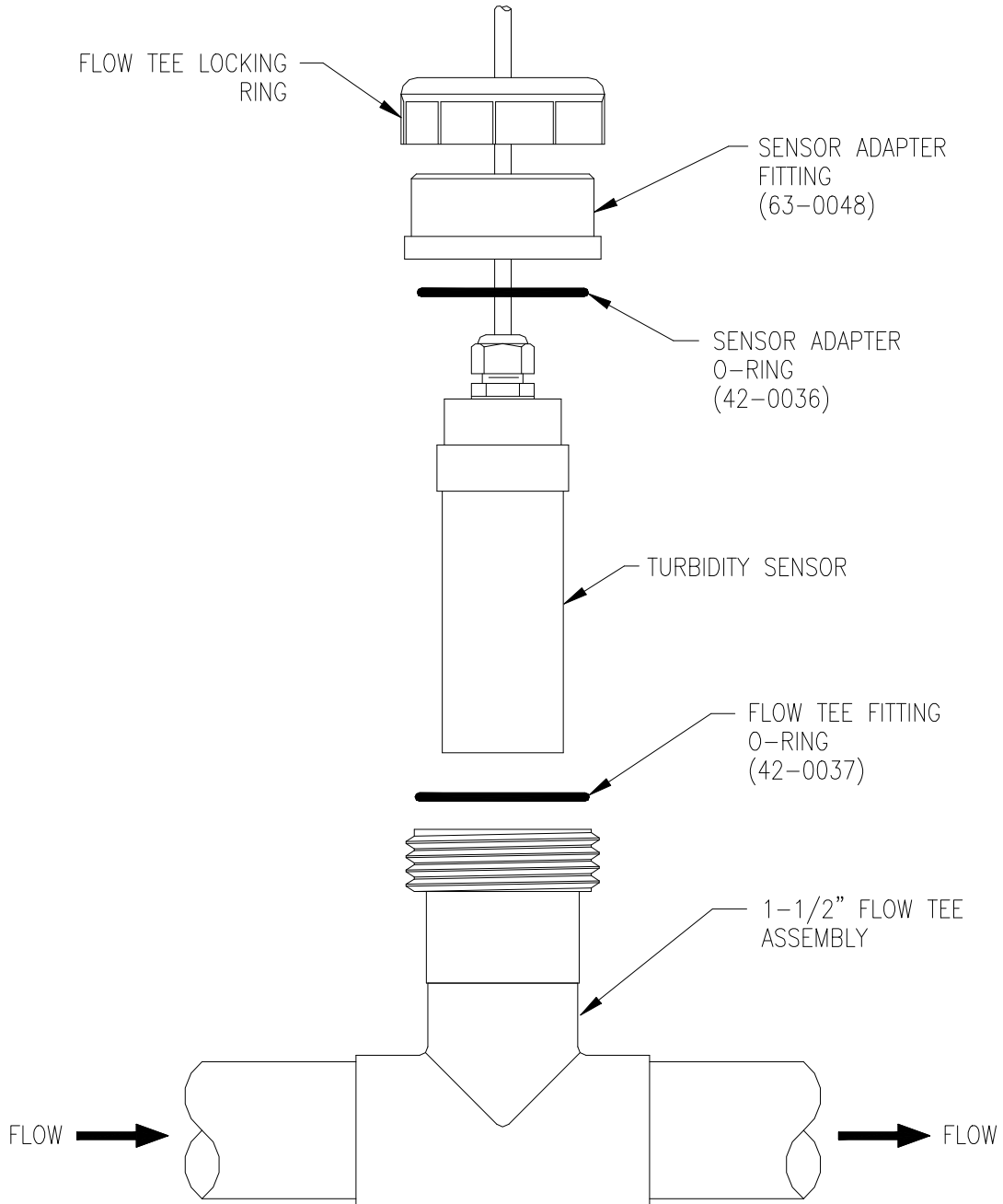
**FLOW TYPE SENSOR
(63-0109)**



**AUTOCLEAN SENSOR HOLDER
(00-1692)
w/SENSOR
(63-0109)**

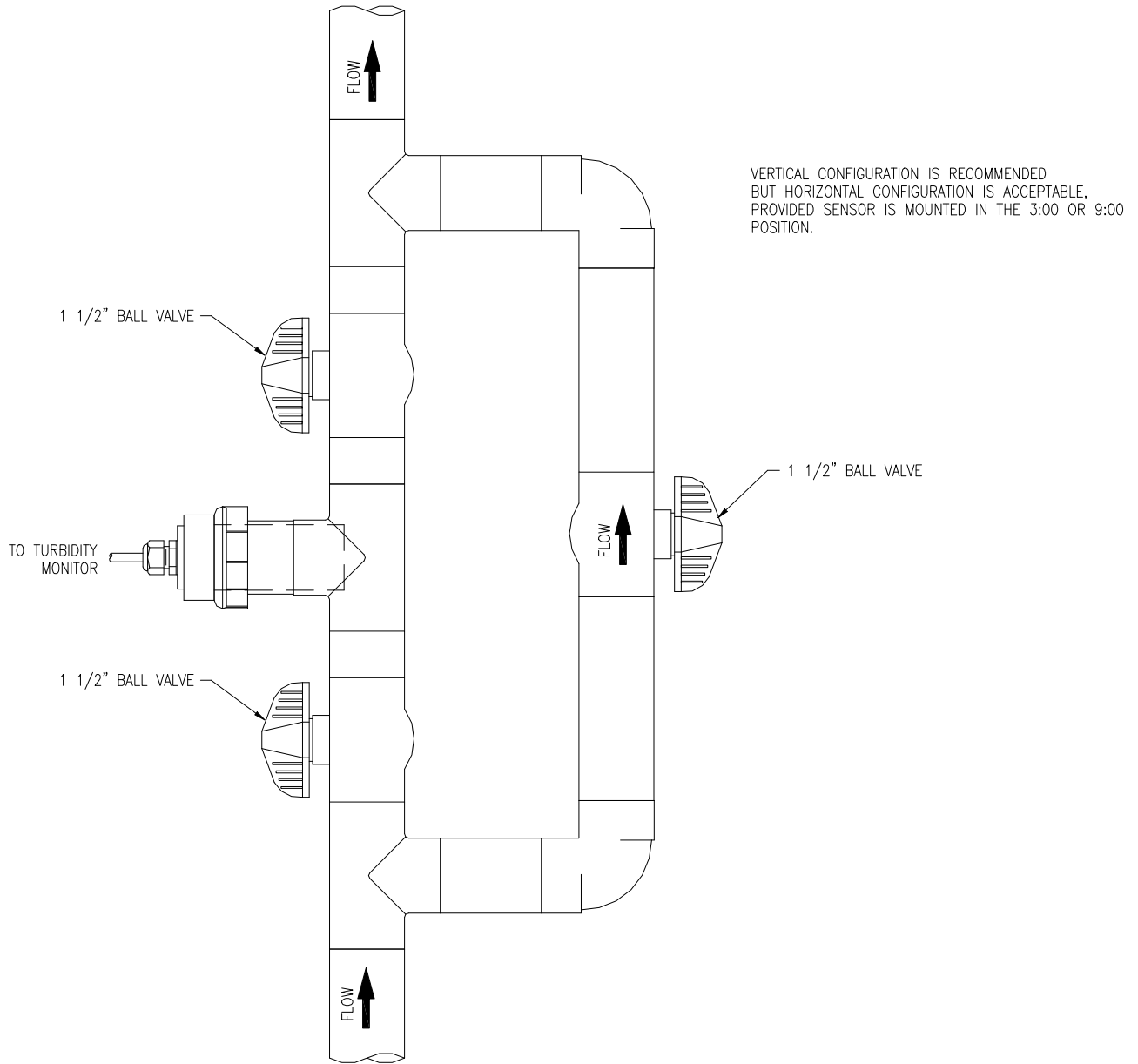


FLOW TEE EXPLODED VIEW



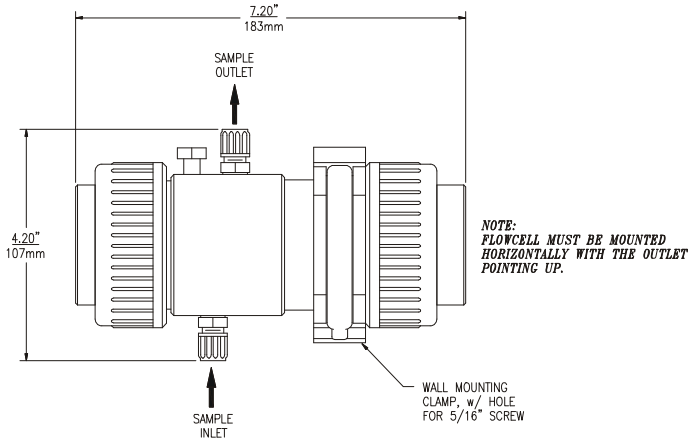
ATI-0542

IN-LINE INSTALLATION

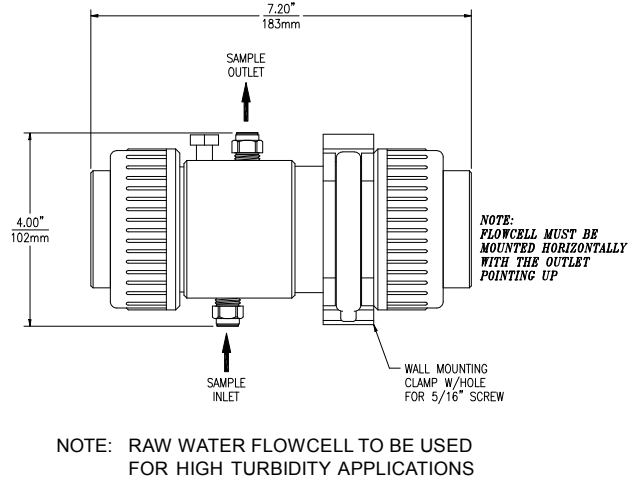


ATI-0513

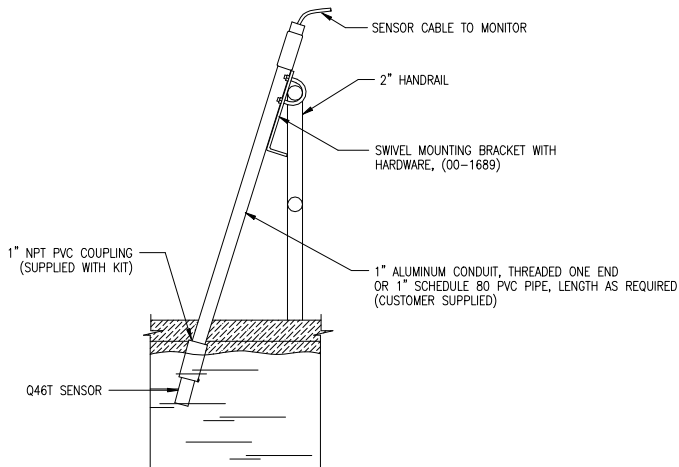
STANDARD FLOWCELL (63-0038)



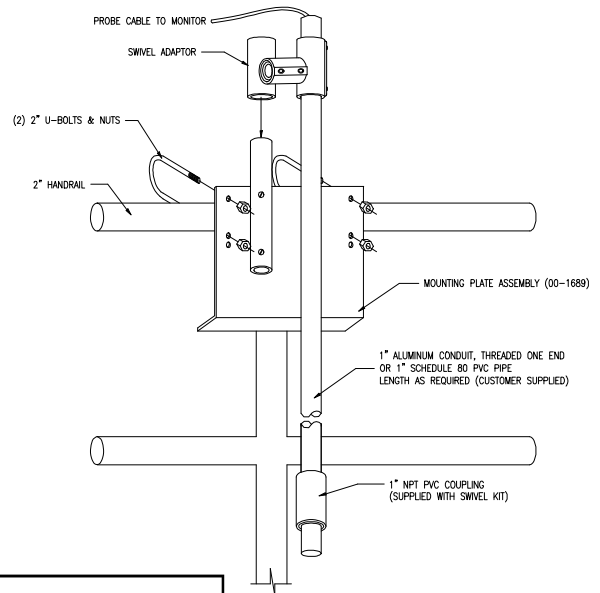
RAW WATER FLOWCELL (00-1491)



SENSOR HANDRAIL MOUNTING

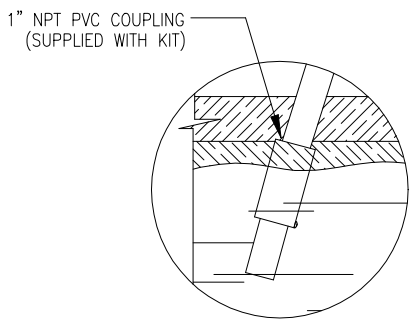


SENSOR HANDRAIL INSTALLATION

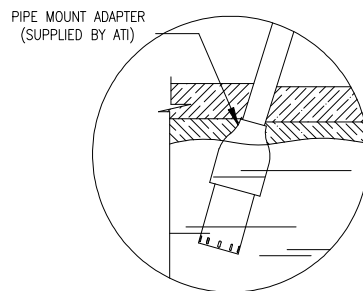


SUBMERSIBLE SENSOR MOUNTING OPTIONS

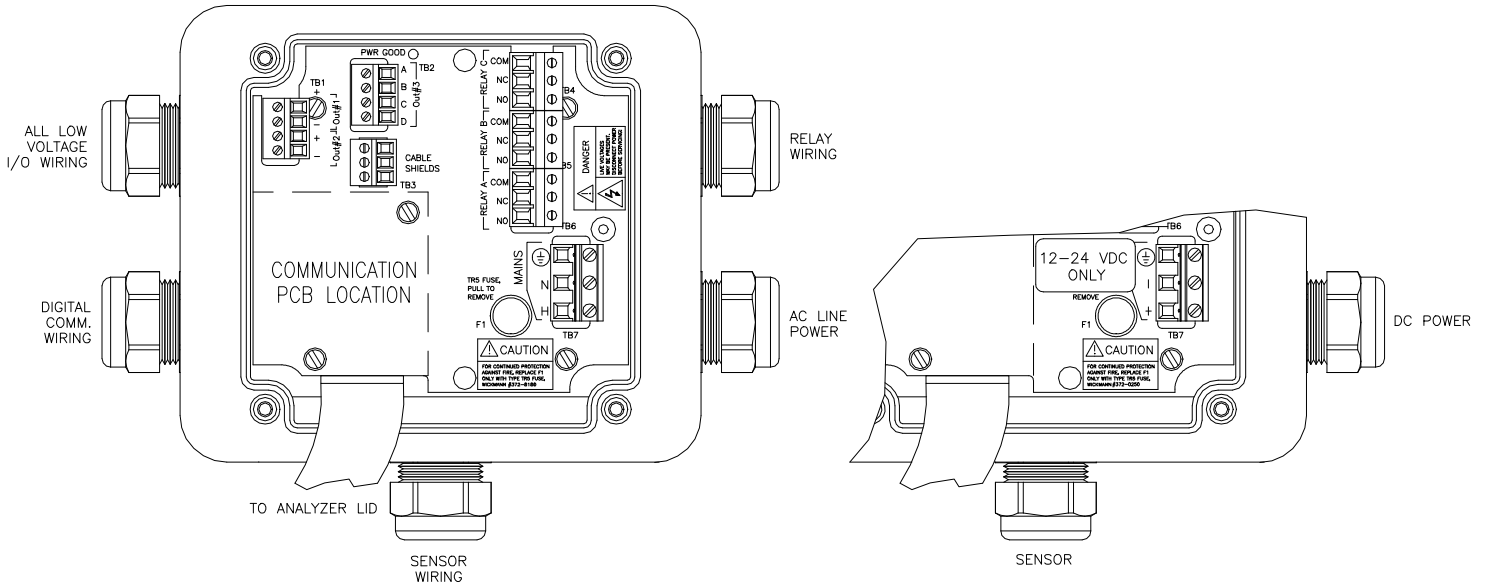
STANDARD SUBMERSIBLE (00-1690)



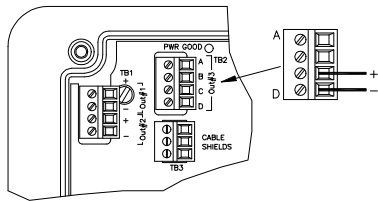
AUTOCLEAN SUBMERSIBLE (00-0624)



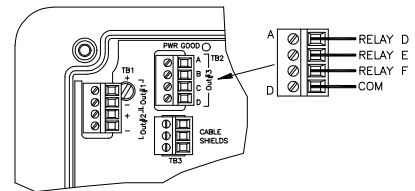
POWER, RELAY, AND OUTPUT CONNECTIONS



Optional Analog Output Wiring

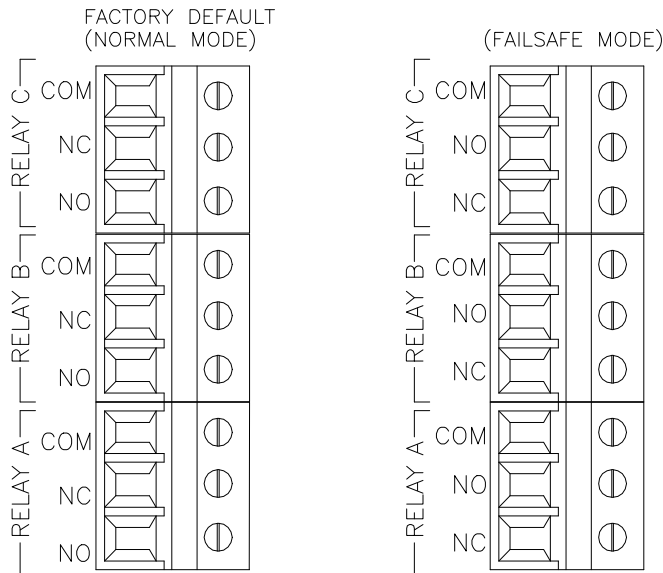


Optional Relay Board Wiring (30V Max.)



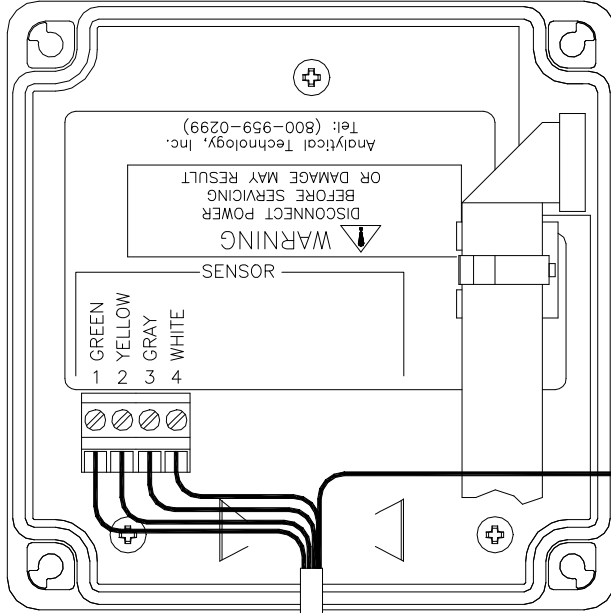
ATI-0930,
0932, 0933

RELAY WIRING TB4,5,6 DETAIL

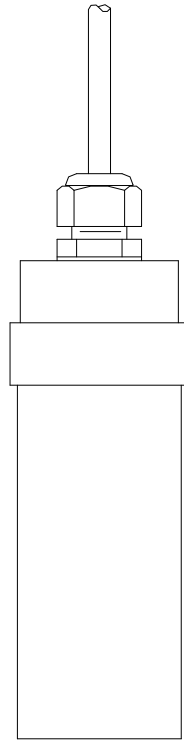


ATI-0931

SENSOR CONNECTIONS

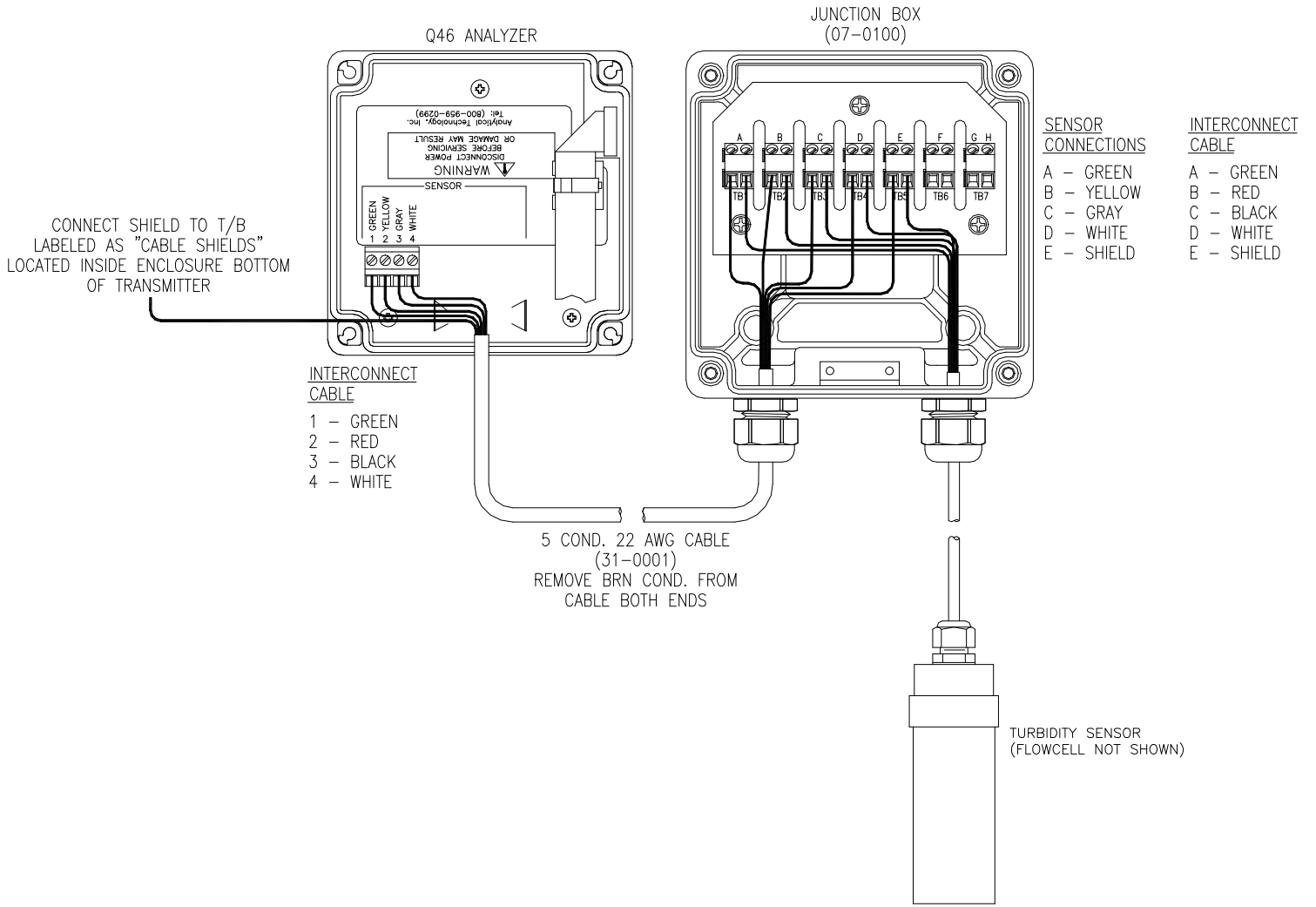


CONNECT SHIELD (BRAID) TO T/B
LABELED AS "CABLE SHIELDS"
LOCATED INSIDE ENCLOSURE BOTTOM
OF TRANSMITTER



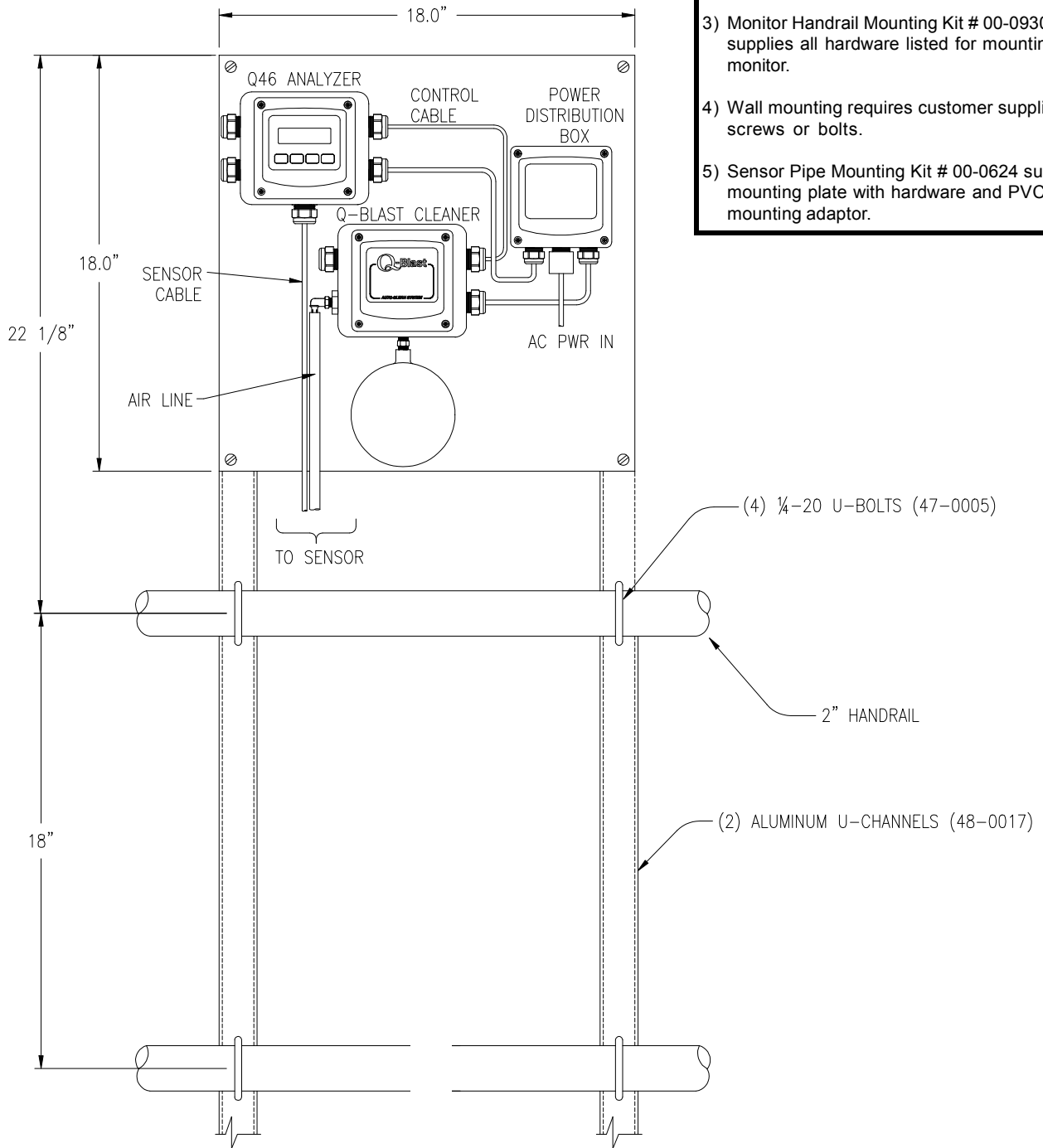
TURBIDITY SENSOR
(FLOWCELL NOT SHOWN)

SENSOR CONNECTIONS - REMOTE JUNCTION BOX



MONITOR HANDRAIL INSTALLATION

NOTES

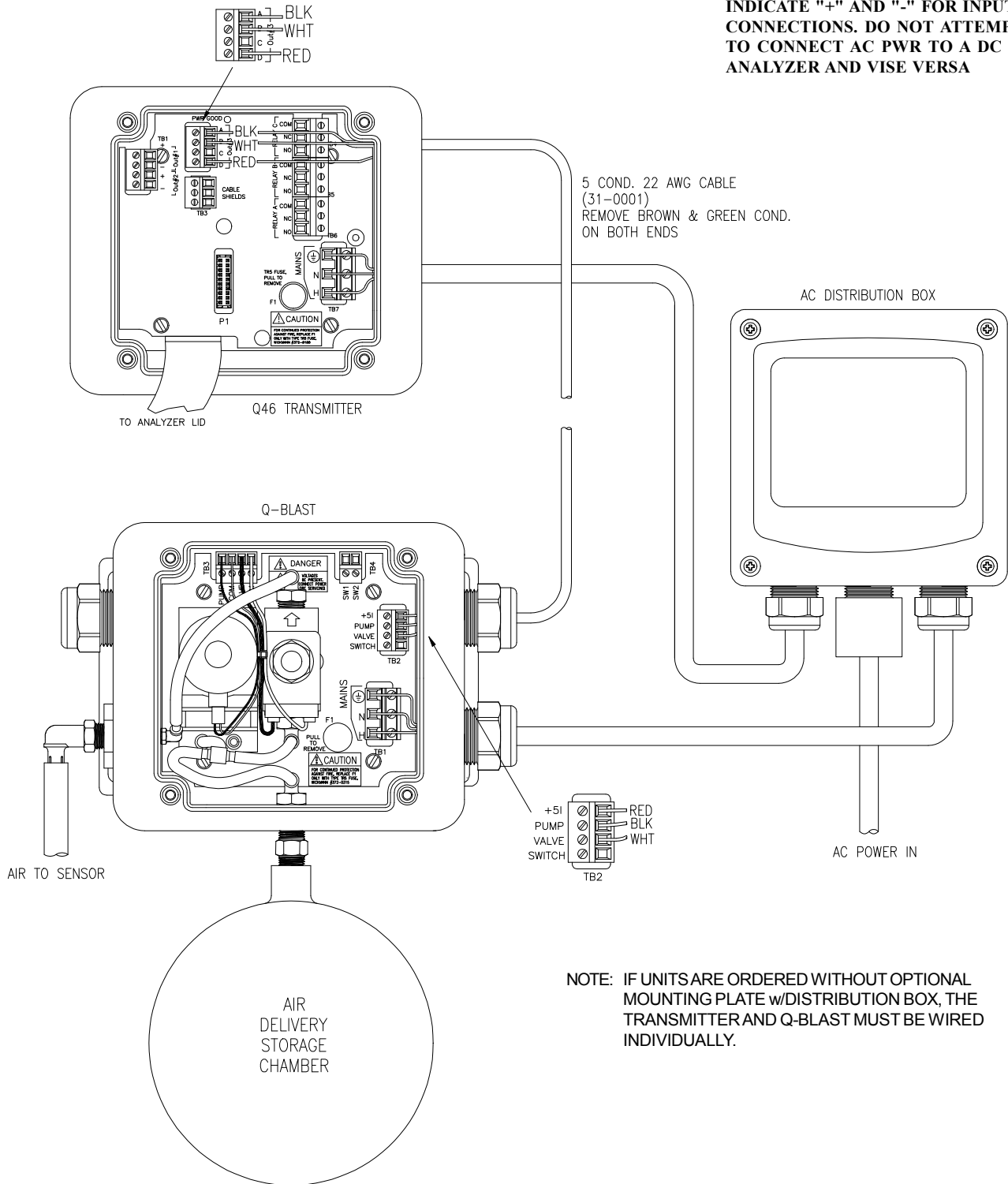


- 1) Always mount sensor cleaner within 25 ft. of sensor if possible. Maximum air line distance is 50 ft.
- 2) Sun shade over monitor is recommended in hot climates.
- 3) Monitor Handrail Mounting Kit # 00-0930 supplies all hardware listed for mounting monitor.
- 4) Wall mounting requires customer supplied screws or bolts.
- 5) Sensor Pipe Mounting Kit # 00-0624 supplies mounting plate with hardware and PVC pipe mounting adaptor.

ATI-0962

AUTOCLEAN SYSTEM - ELECTRICAL WIRING

NOTE: DC ANALYZER PWR INPUTS INDICATE "+" AND "-" FOR INPUT CONNECTIONS. DO NOT ATTEMPT TO CONNECT AC PWR TO A DC ANALYZER AND VISE VERSA



NOTE: IF UNITS ARE ORDERED WITHOUT OPTIONAL MOUNTING PLATE w/DISTRIBUTION BOX, THE TRANSMITTER AND Q-BLAST MUST BE WIRED INDIVIDUALLY.