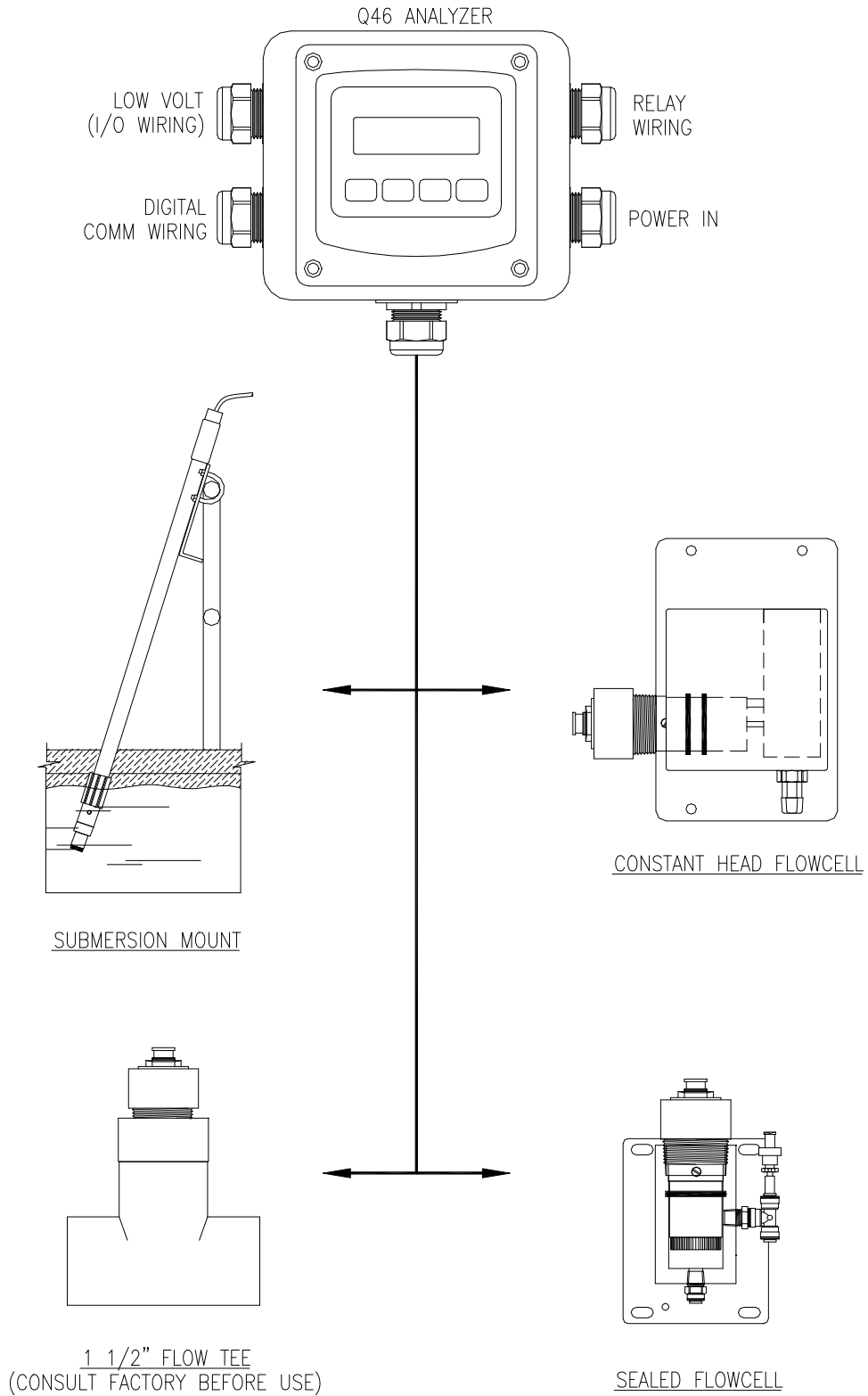
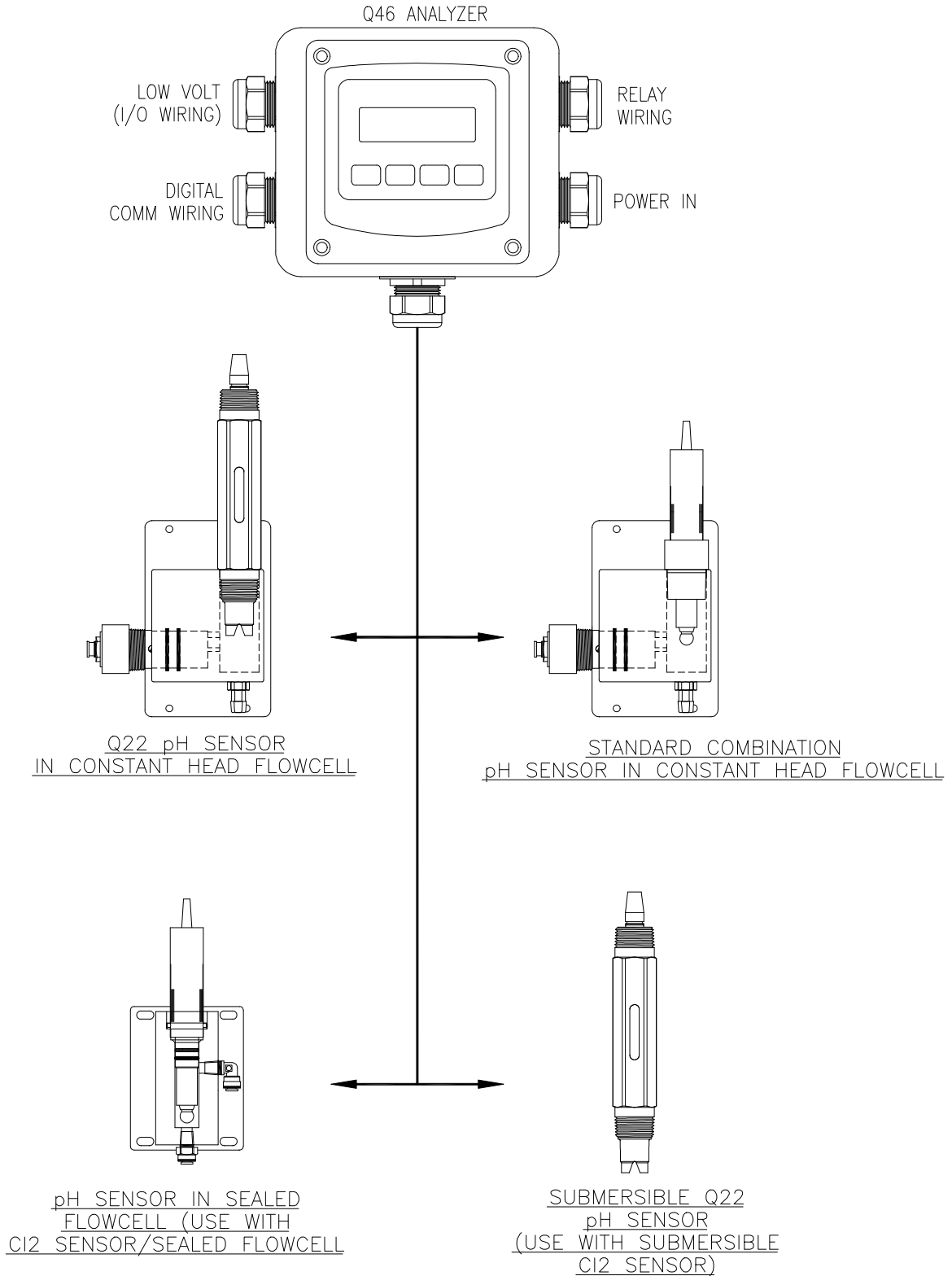


INSTALLATION OPTIONS

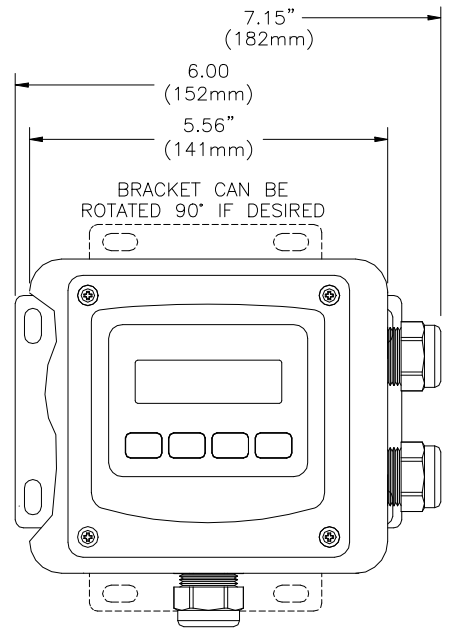
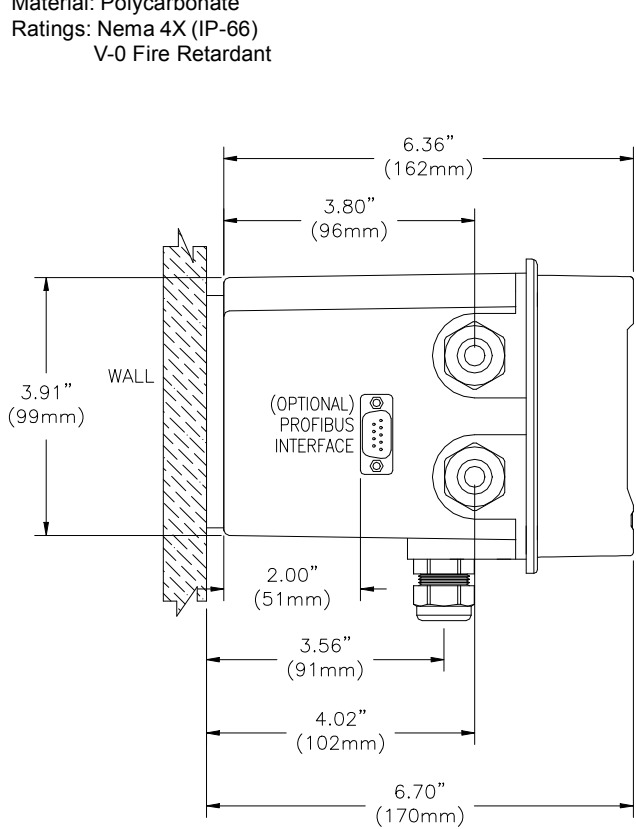


SECONDARY pH INPUT OPTIONS



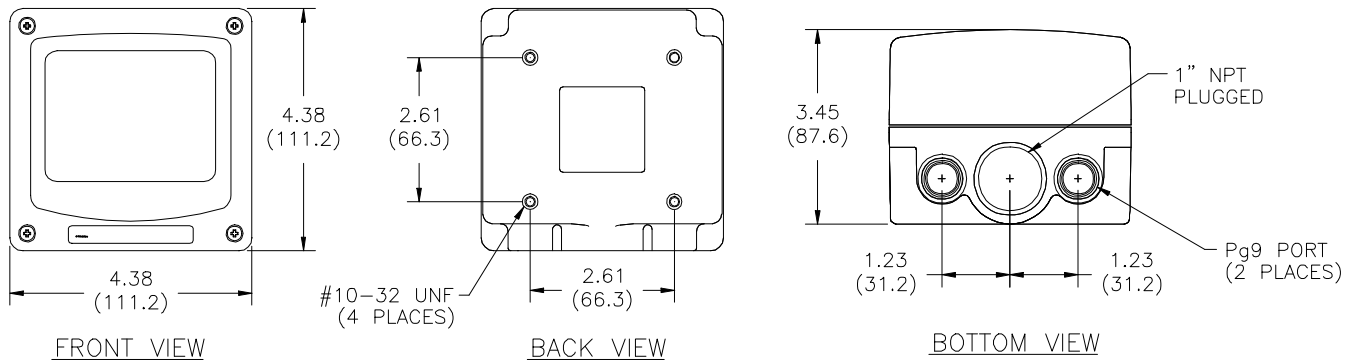
ANALYZER DIMENSIONS (WALL MOUNT SHOWN)

Material: Polycarbonate
 Ratings: Nema 4X (IP-66)
 V-0 Fire Retardant



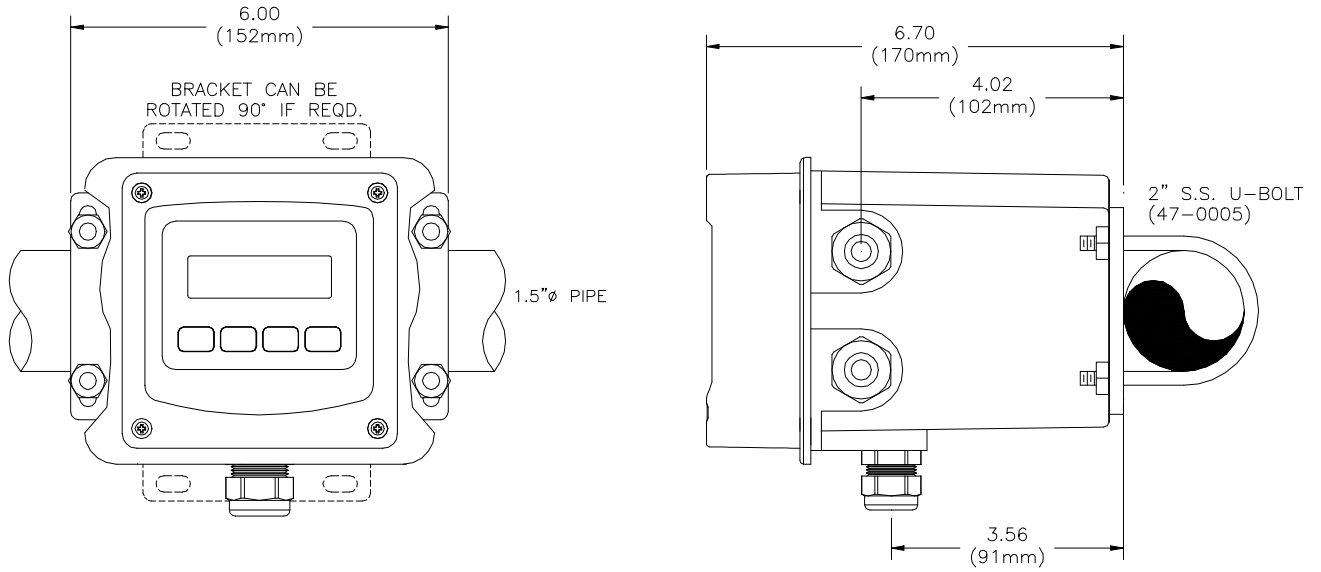
ATI-0926

JUNCTION BOX



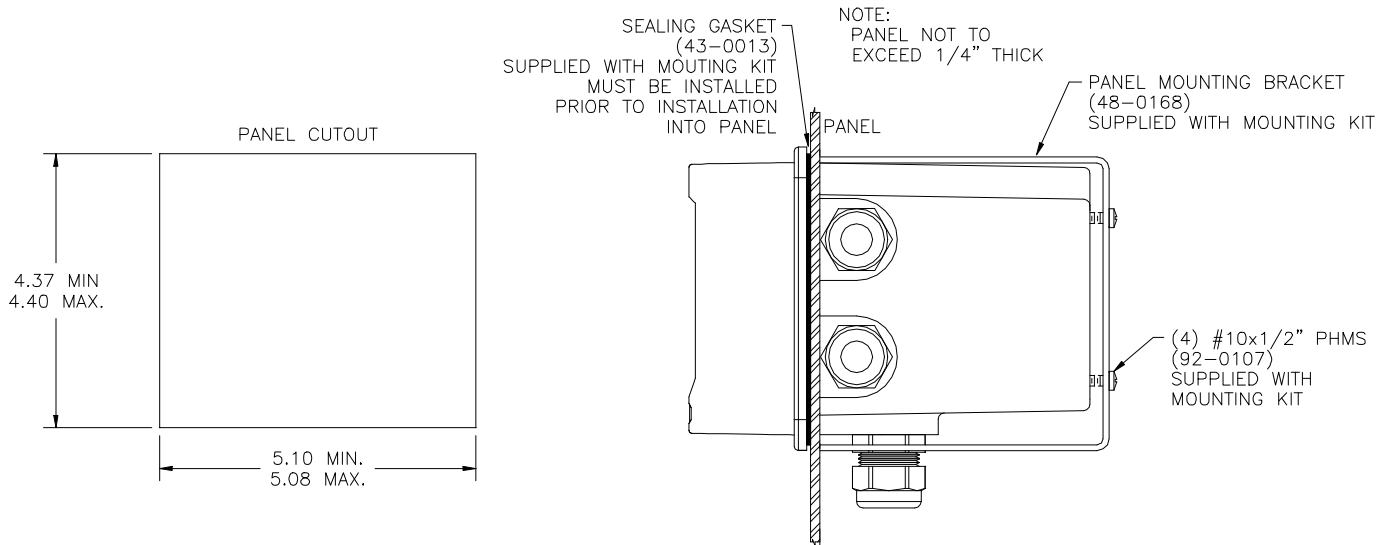
ATI-0655

PIPE MOUNTING



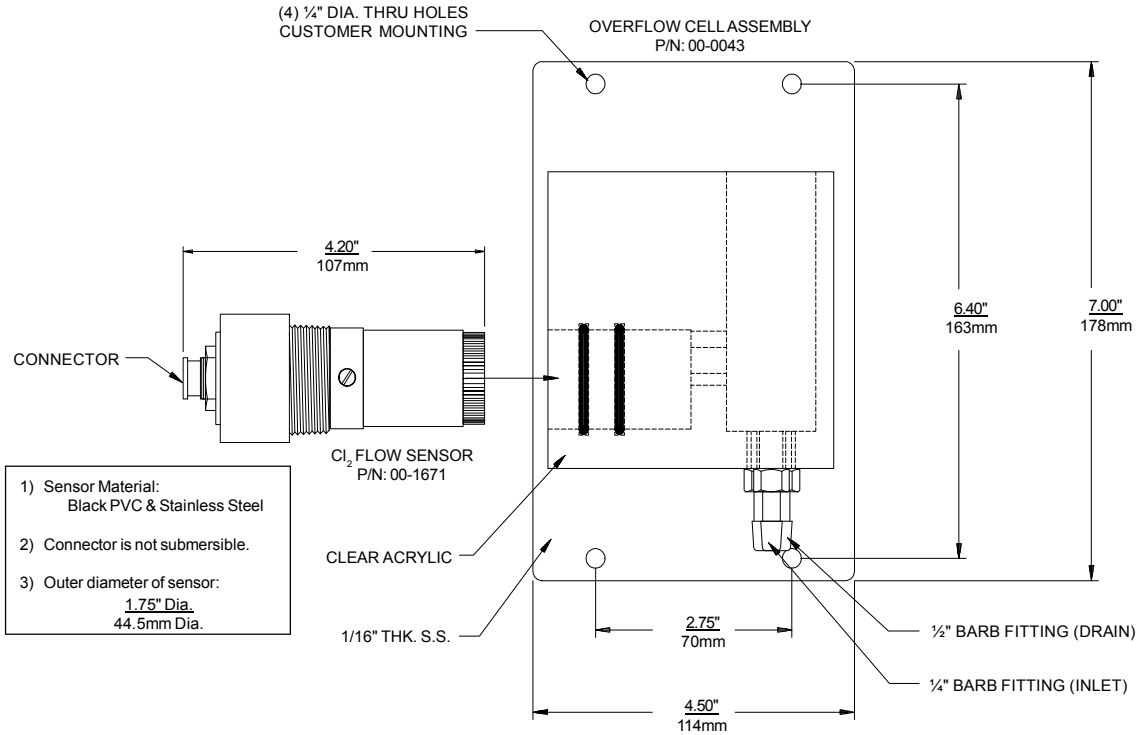
ATI-0927

PANEL MOUNTING DIAGRAM



ATI-0928

FLOW SENSOR DIMENSIONS & OVERFLOW CELL INSTALLATION

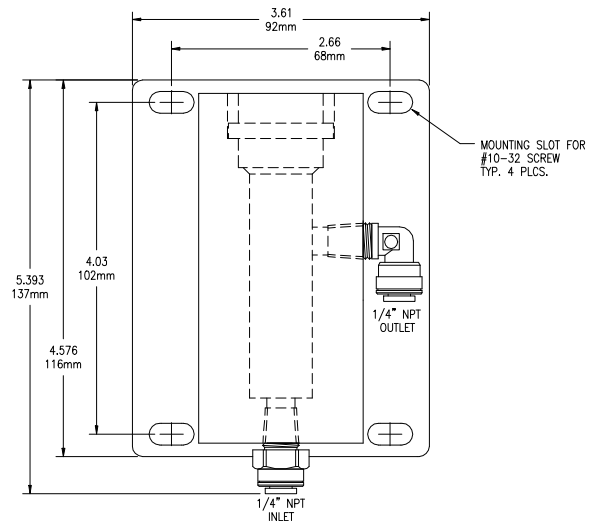
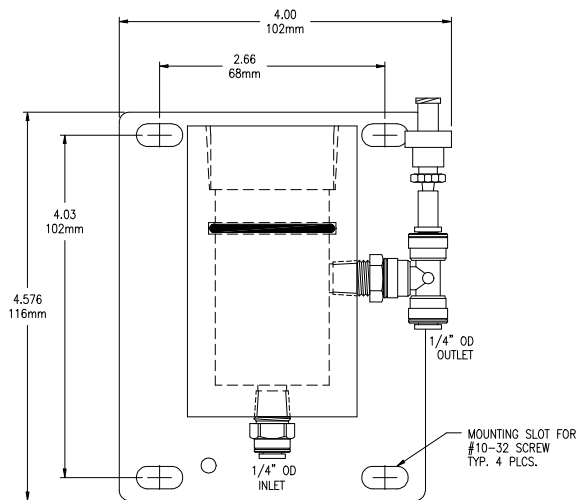


ATI-0196

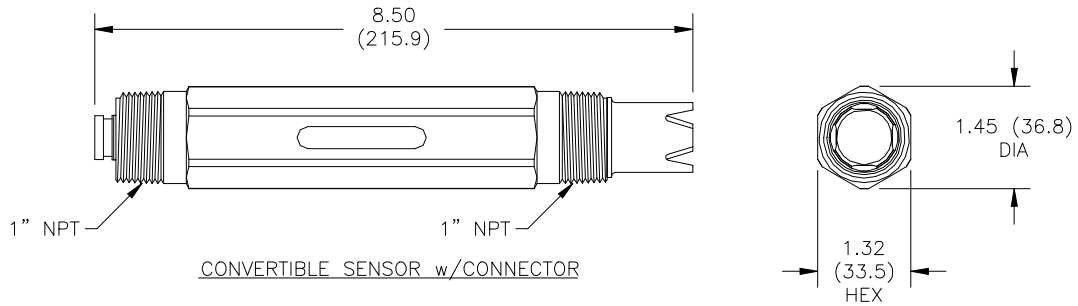
**CI₂ SEALED FLOWCELL ASSEMBLY
(00-1522)**

**pH SEALED FLOWCELL ASSEMBLY
(00-1527)**

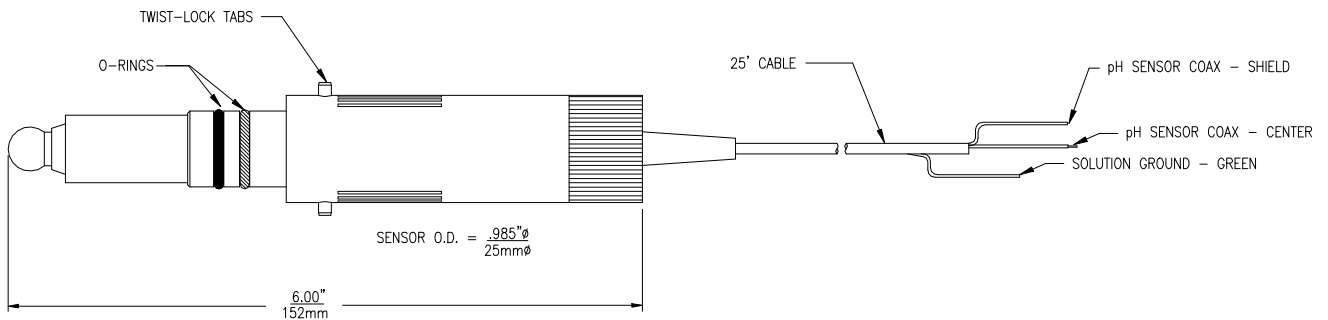
Material: Acrylic
Mounting Plate: PVC



(07-0096) pH SENSOR DIMENSIONS

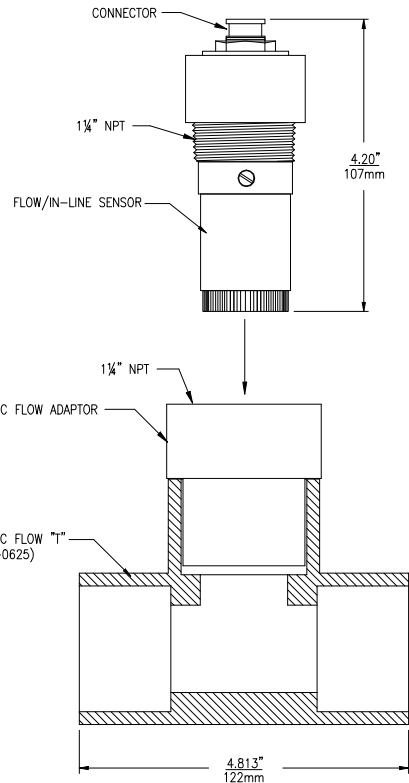


(63-0101) pH SENSOR DIMENSIONS



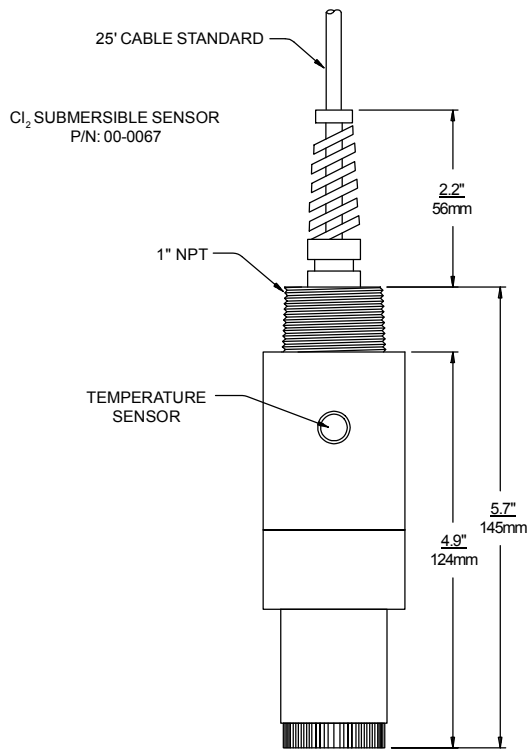
SPECIAL APPLICATION FLOWCELL (CONSULT FACTORY)

- 1) Sensor Material:
Black PVC & Stainless Steel
- 2) Connector is not submersible.
- 3) Outer diameter of sensor:
1.75" Dia.
44.5mm Dia.



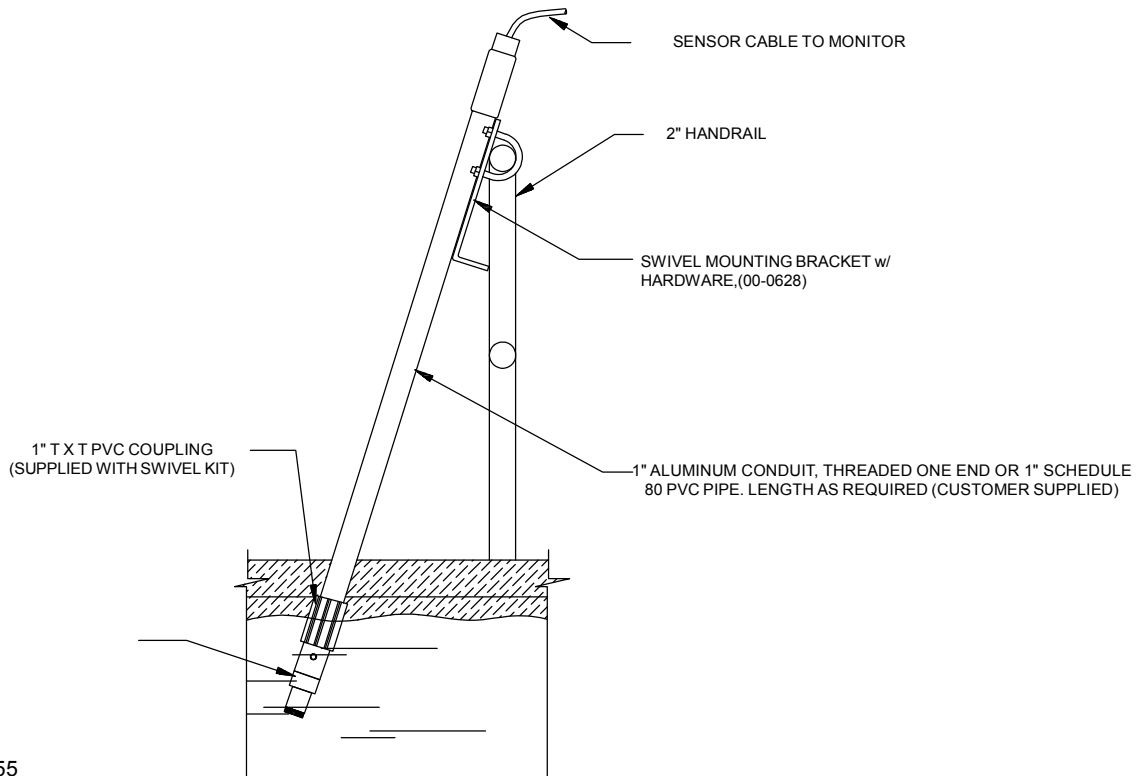
- Flow "T":
- 1) Max. 50 PSI for Flow "T" operation.
 - 2) Use Teflon tape to seal In-Line Sensor.
- Low Volume Flowcell:
- 1) Material: Clear Acrylic

SUBMERSIBLE SENSOR DIMENSIONS



ATI-004

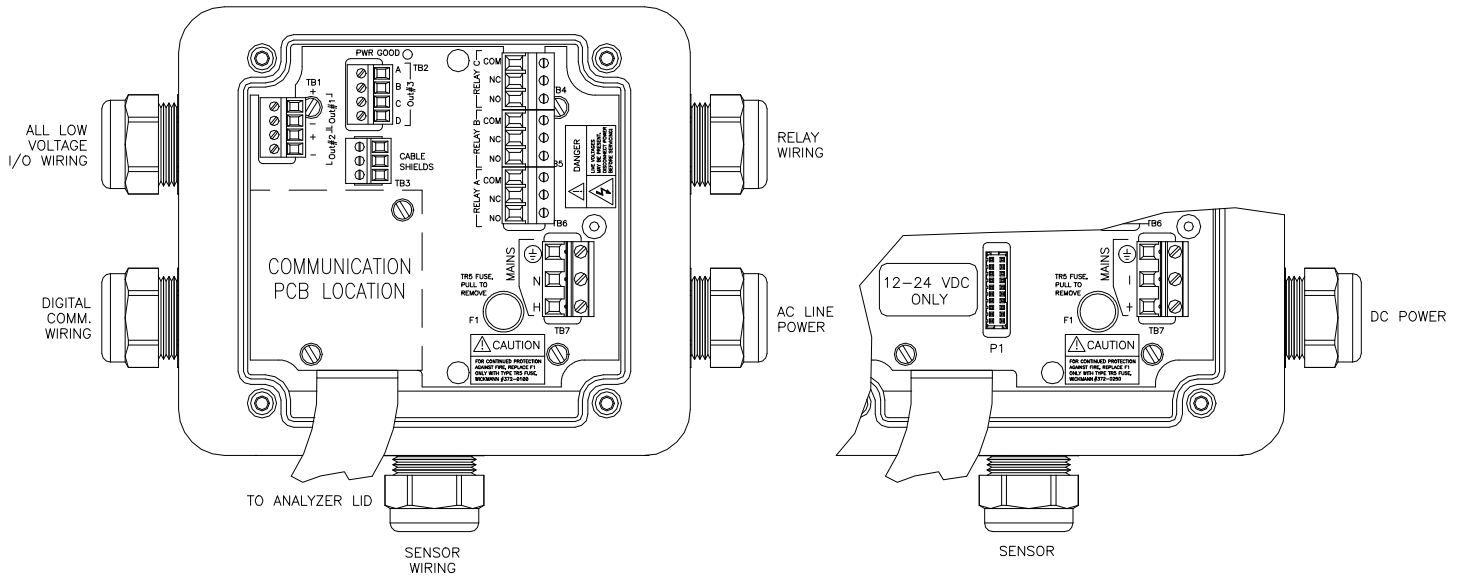
SUBMERSIBLE SENSOR INSTALLATION



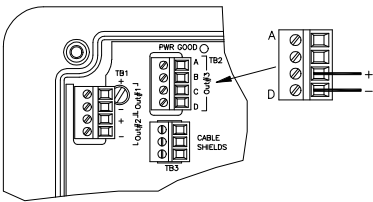
ATI-0155

POWER, RELAY, AND OUTPUT CONNECTIONS

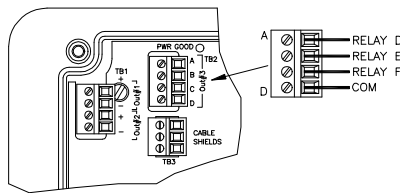
ATI-0930,
0932, 0933, 0989



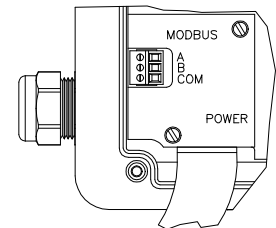
Optional Analog Output Wiring



Optional Relay Board Wiring (30V Max.)

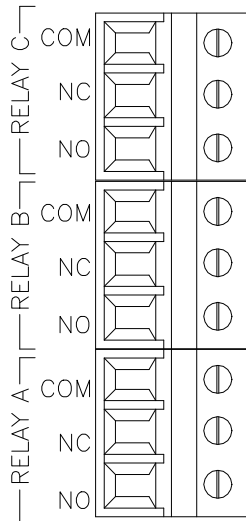


MODBUS Communication

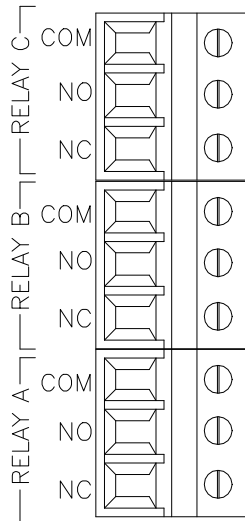


RELAY WIRING TB4,5,6 DETAIL

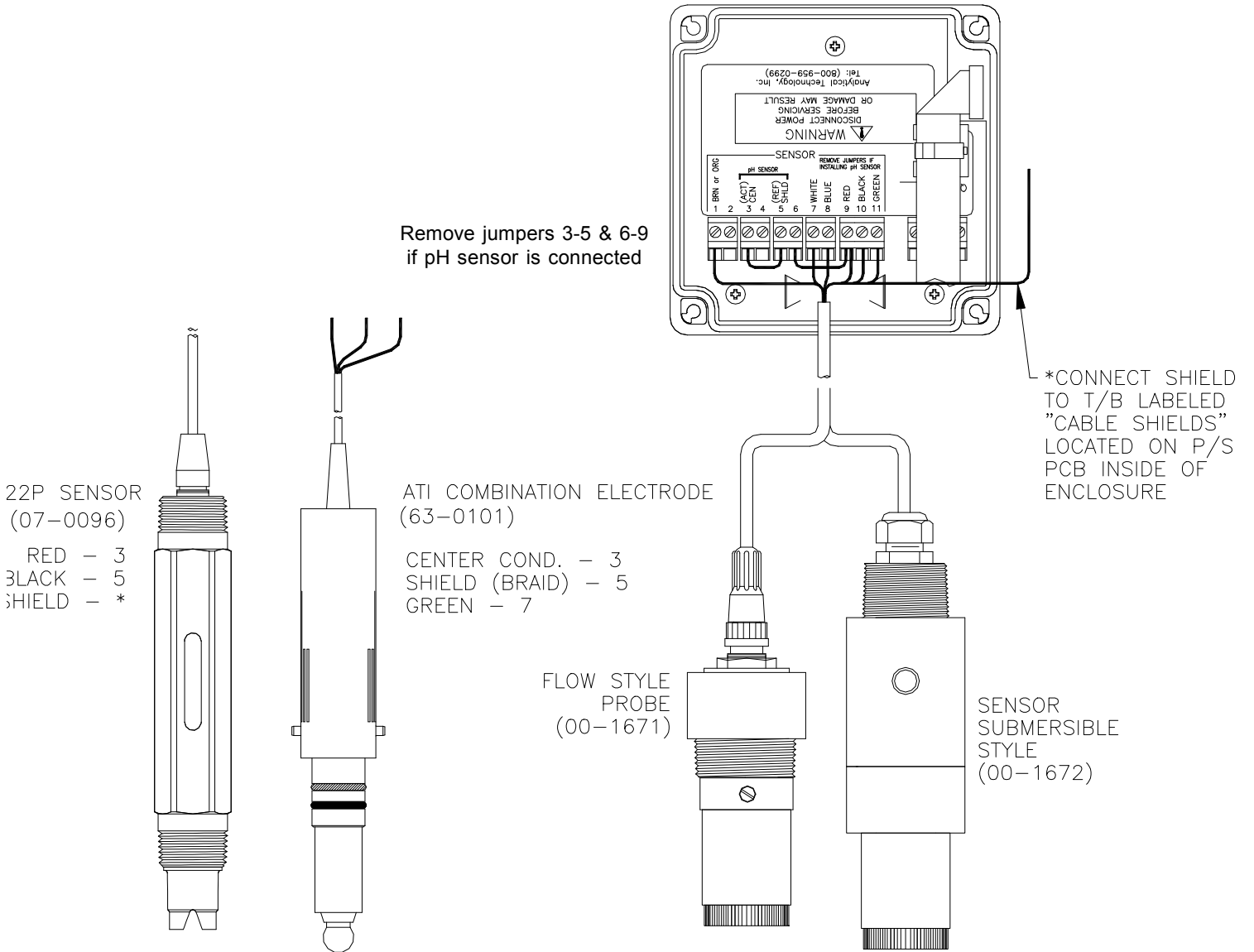
FACTORY DEFAULT (NORMAL MODE)



(FAILSAFE MODE)



ELECTRICAL CONNECTIONS



SENSOR CONNECTIONS - REMOTE JUNCTION BOX

