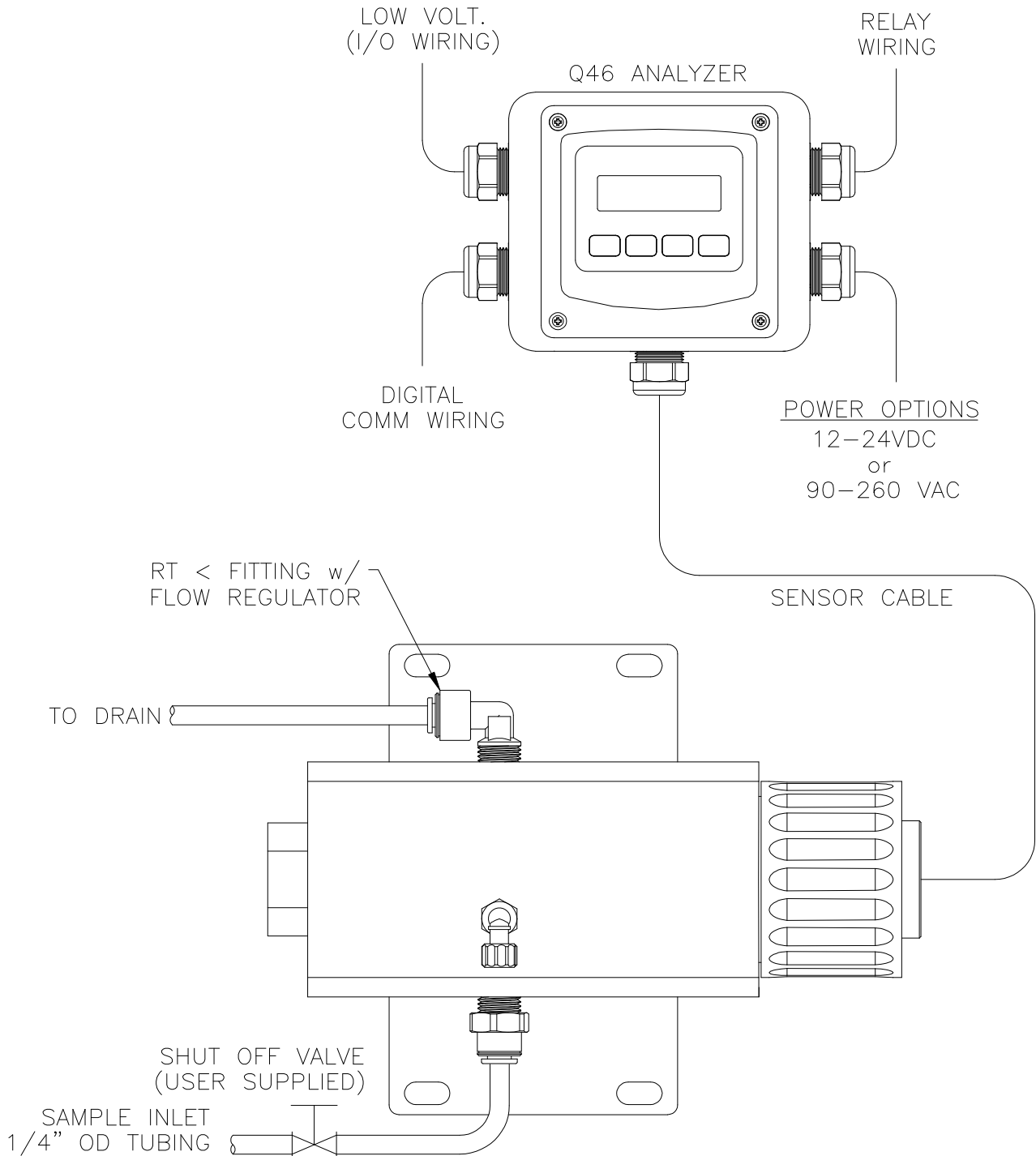


TYPICAL INSTALLATION

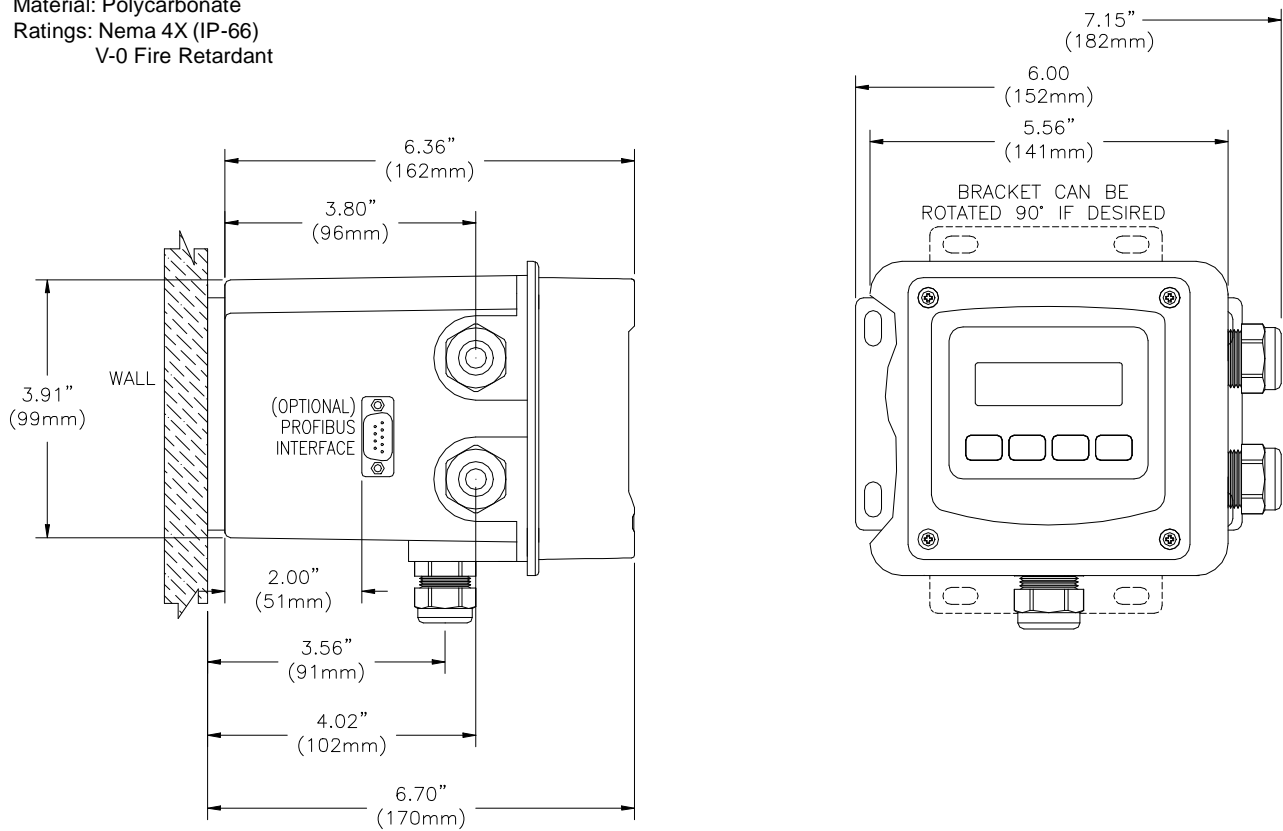


NOTE: For raw water applications, inlet and outlet fitting for 3/8" OD tubing are supplied. The outlet fitting does not contain a flow regulator so sample flow must be controlled using an external valve. Flow should be maintained at about 0.5 LPM (8 GPH)

ATI-1173

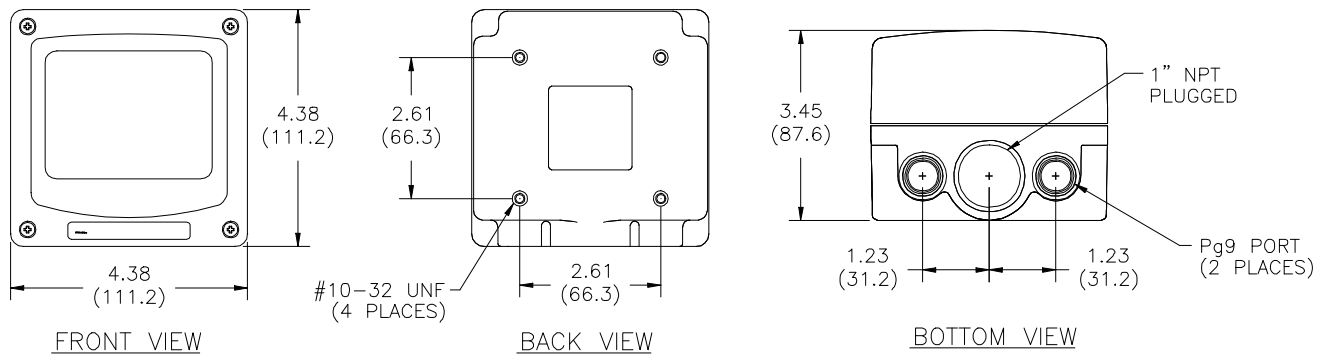
ANALYZER DIMENSIONS (WALL MOUNT SHOWN)

Material: Polycarbonate
 Ratings: Nema 4X (IP-66)
 V-0 Fire Retardant



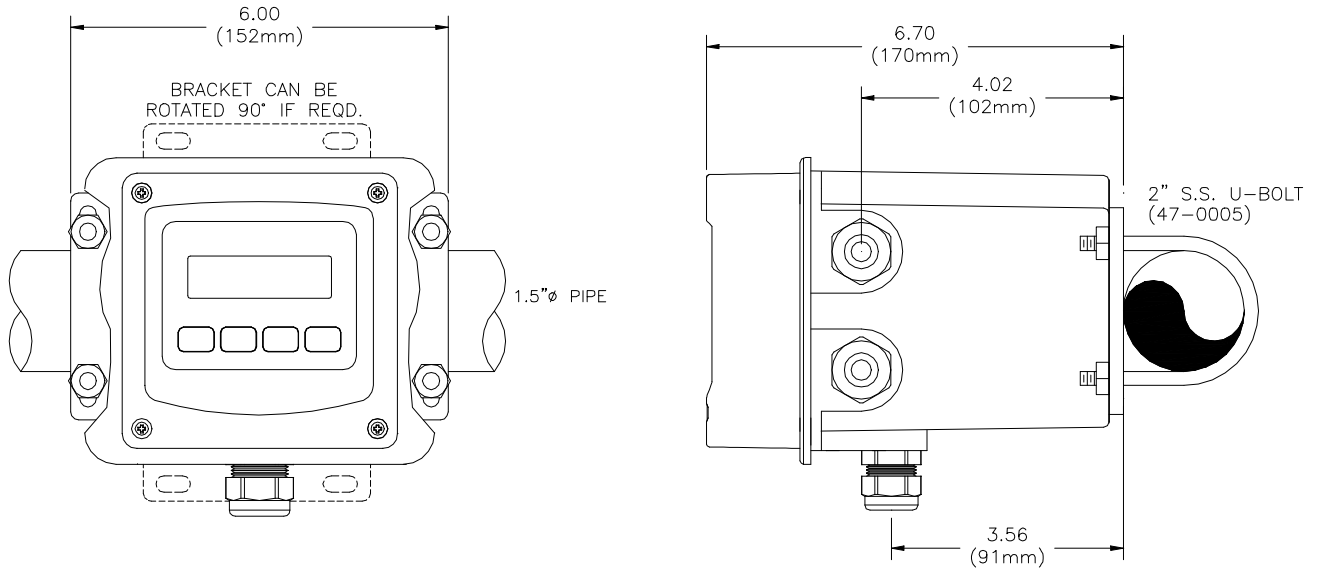
ATI-0926

JUNCTION BOX



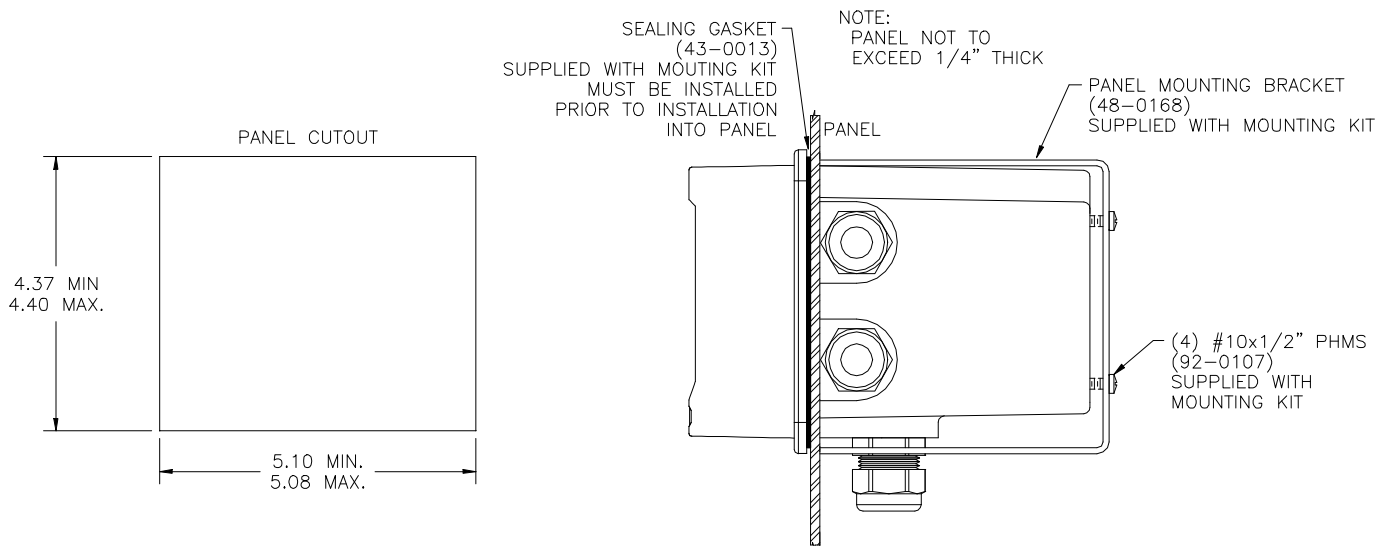
ATI-0655

PIPE MOUNTING



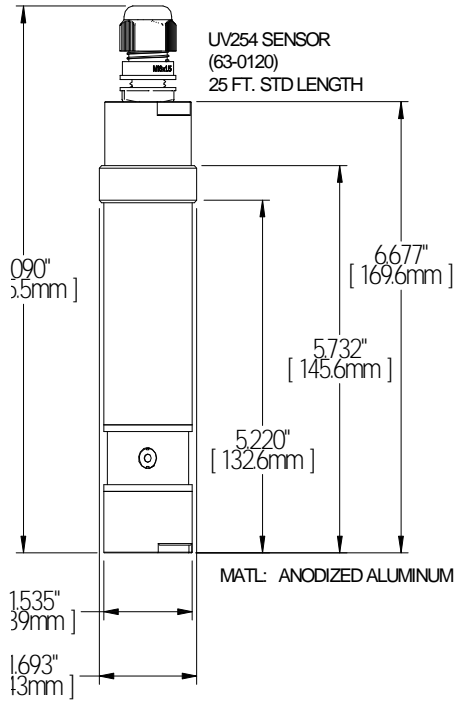
ATI-0927

PANEL MOUNTING DIAGRAM

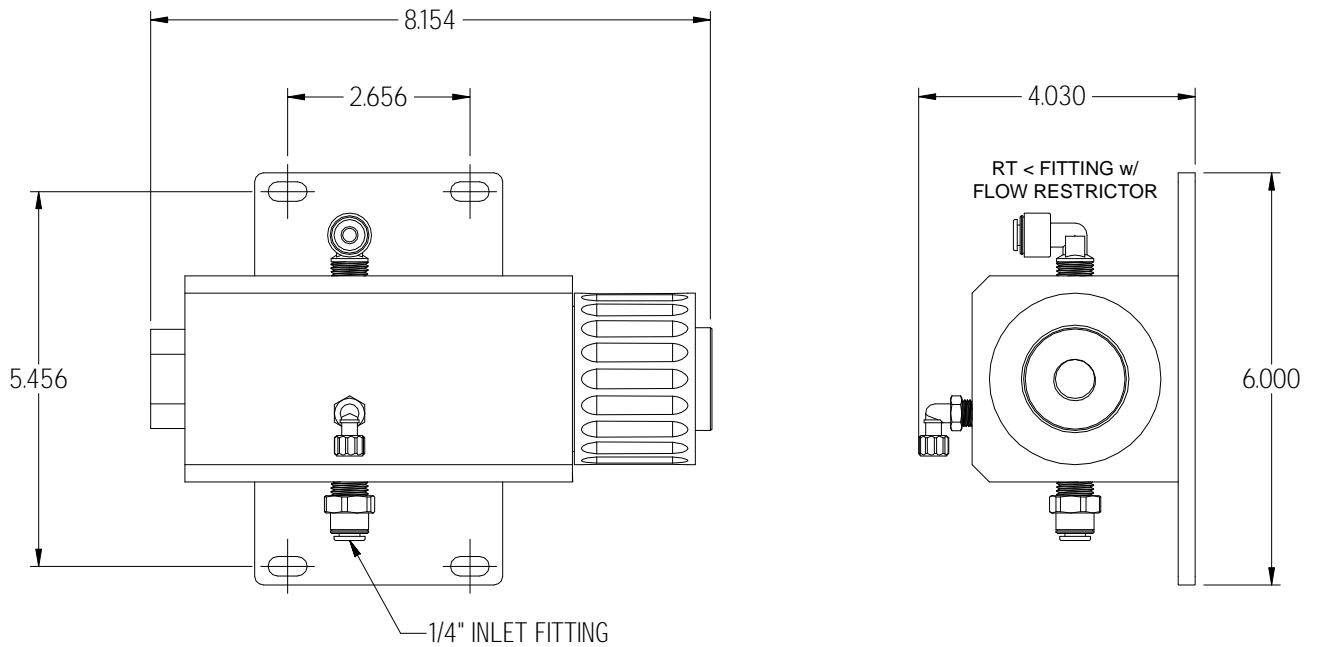


ATI-0928

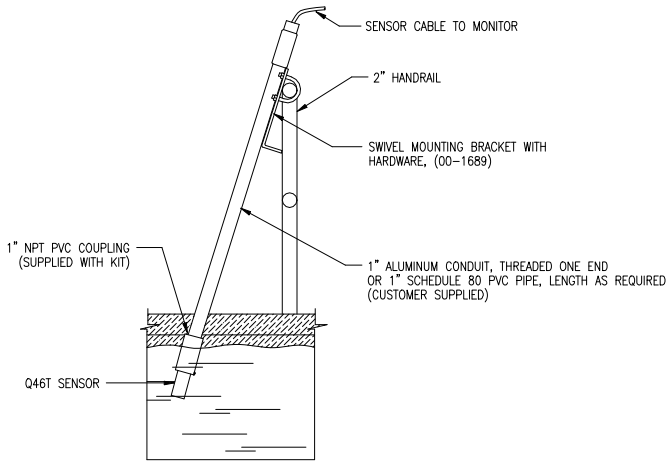
**FLOW TYPE SENSOR
(63-0120)**



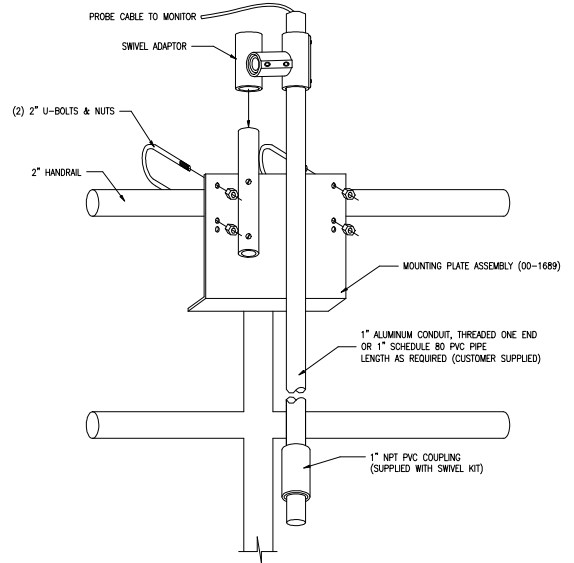
**UV SENSOR FLOWCELL
(00-1901)**



SENSOR HANDRAIL MOUNTING

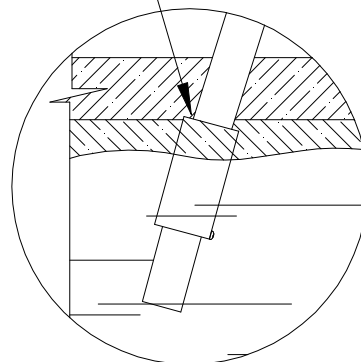


SENSOR HANDRAIL INSTALLATION

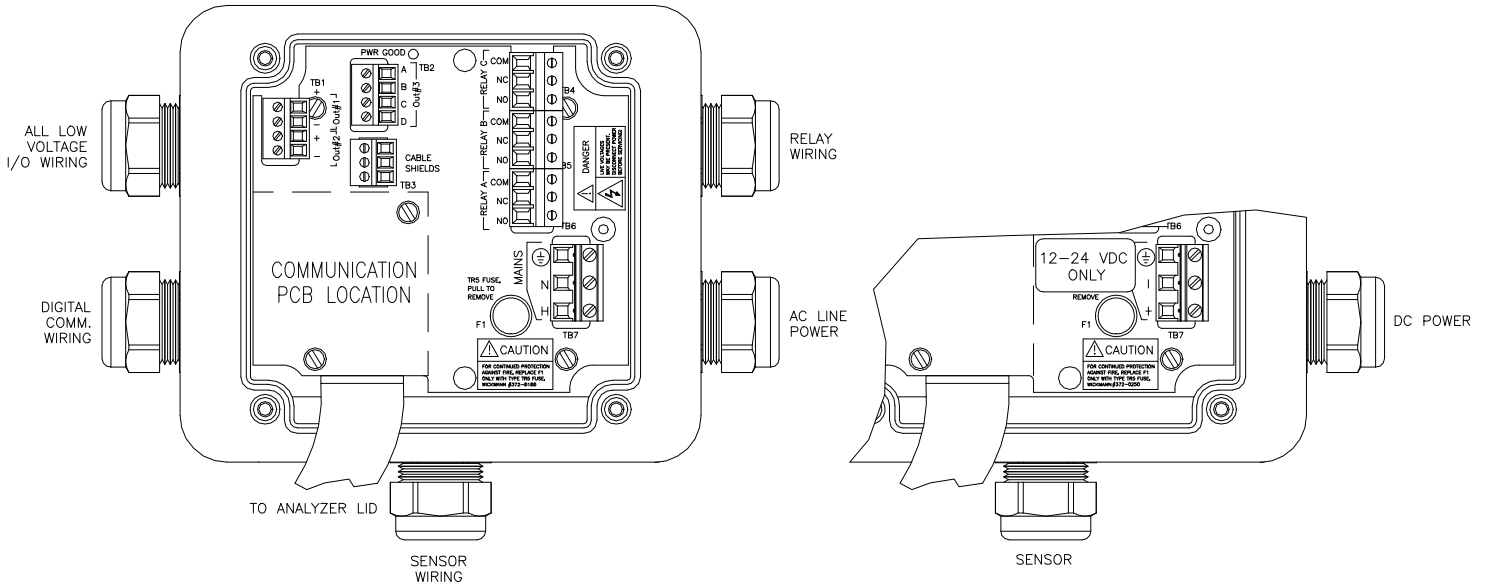


SUBMERSIBLE SENSOR MOUNTING OPTIONS (00-1690)

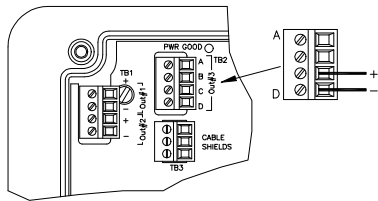
1" ADAPTER (SUPPLIED WITH KIT)



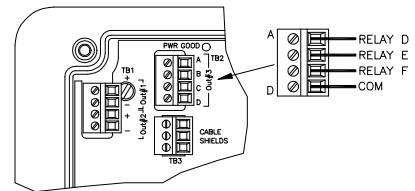
POWER, RELAY, AND OUTPUT CONNECTIONS



Optional Analog Output Wiring

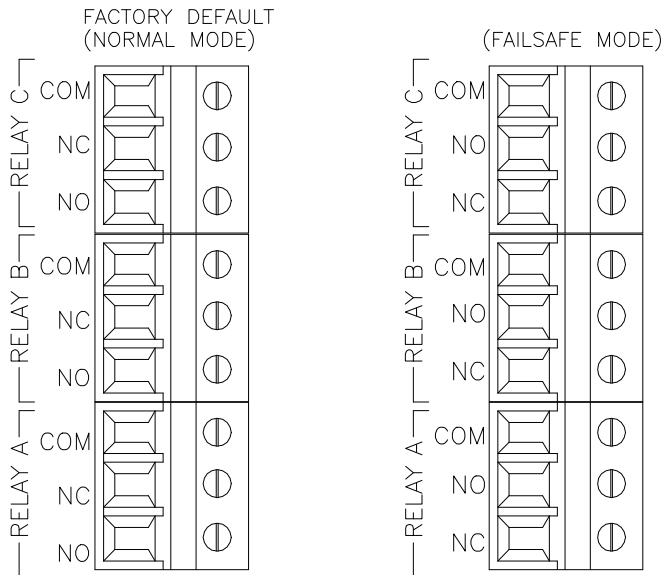


Optional Relay Board Wiring (30V Max.)



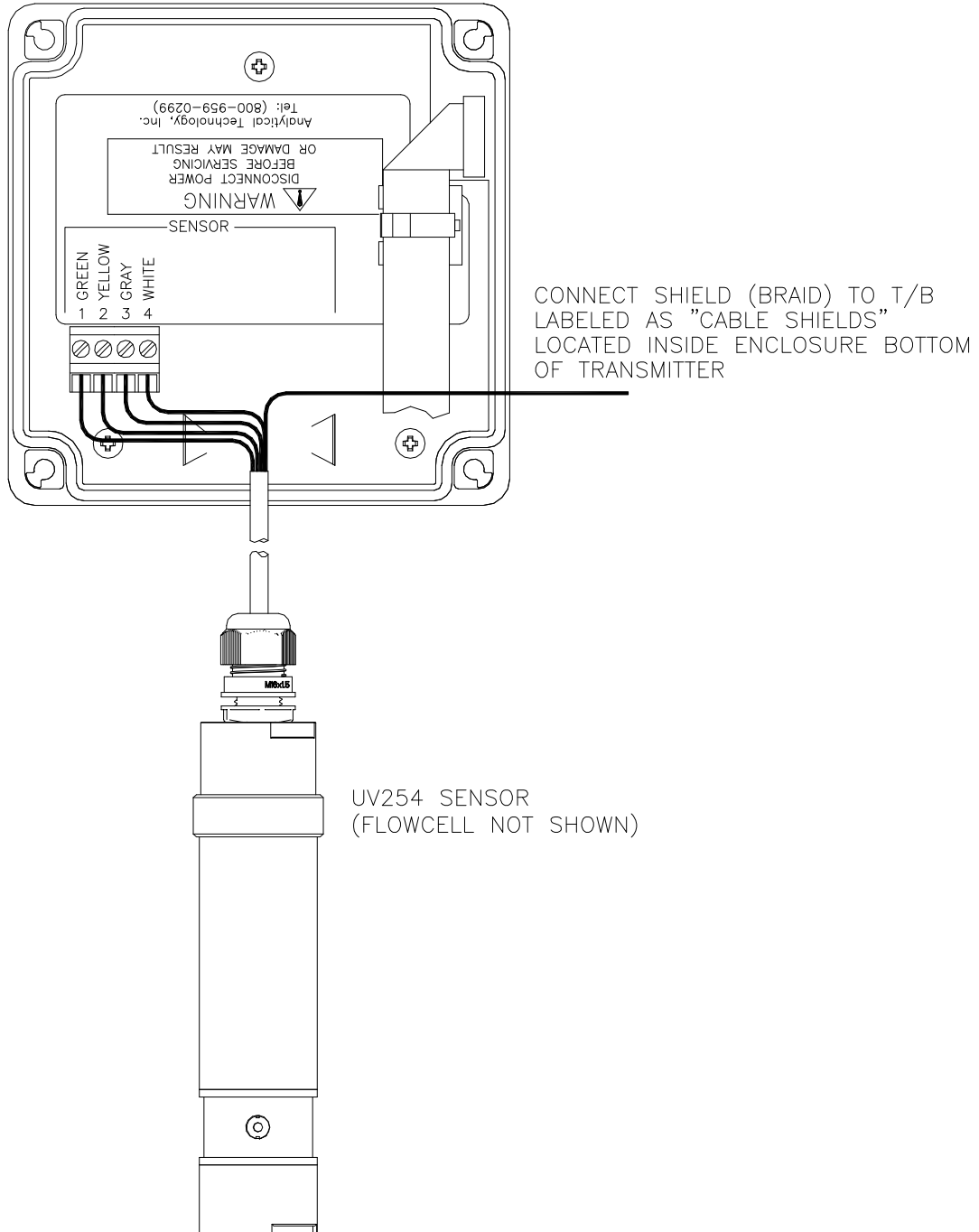
ATI-0930,
0932, 0933

RELAY WIRING TB4,5,6 DETAIL

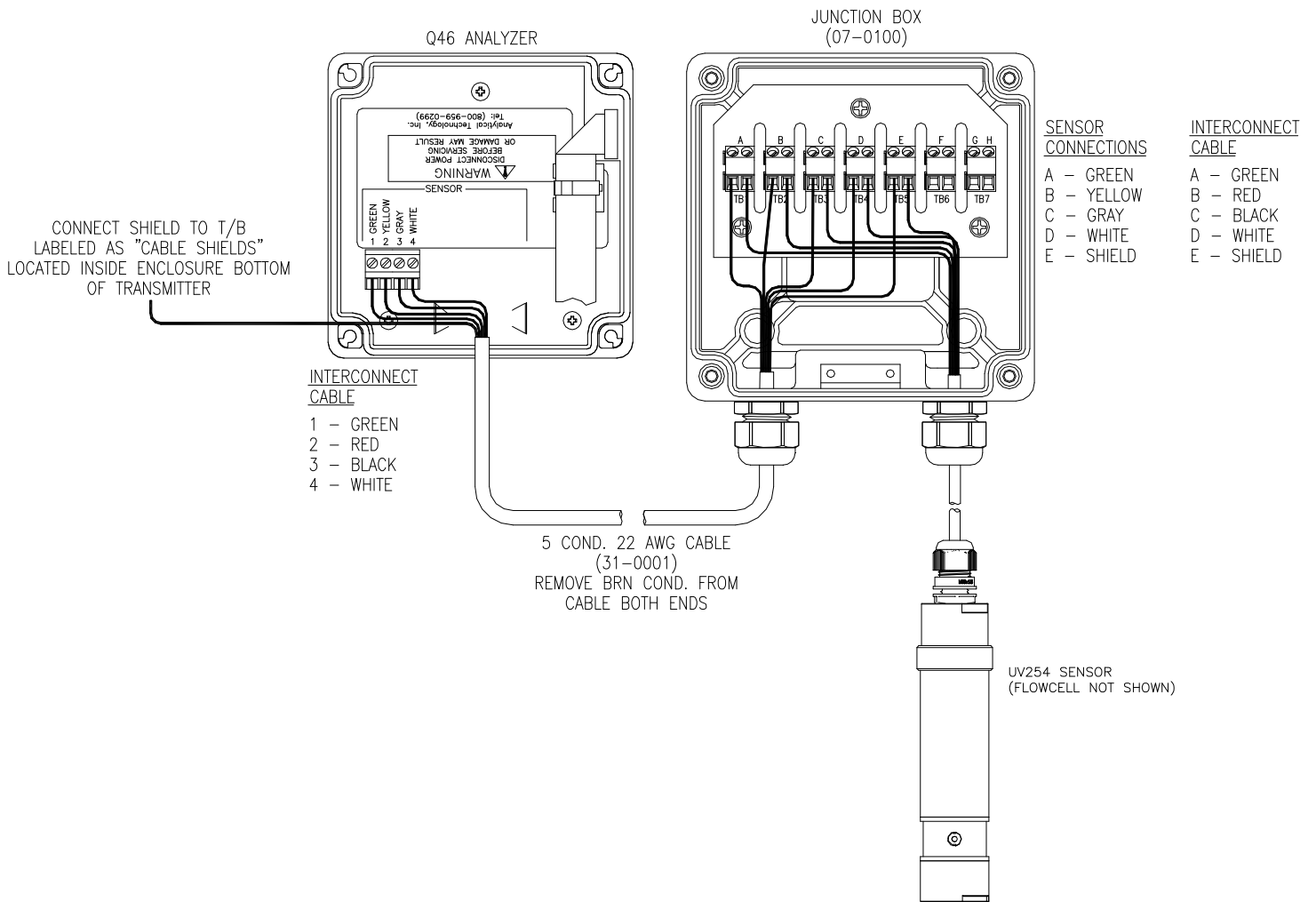


ATI-0931

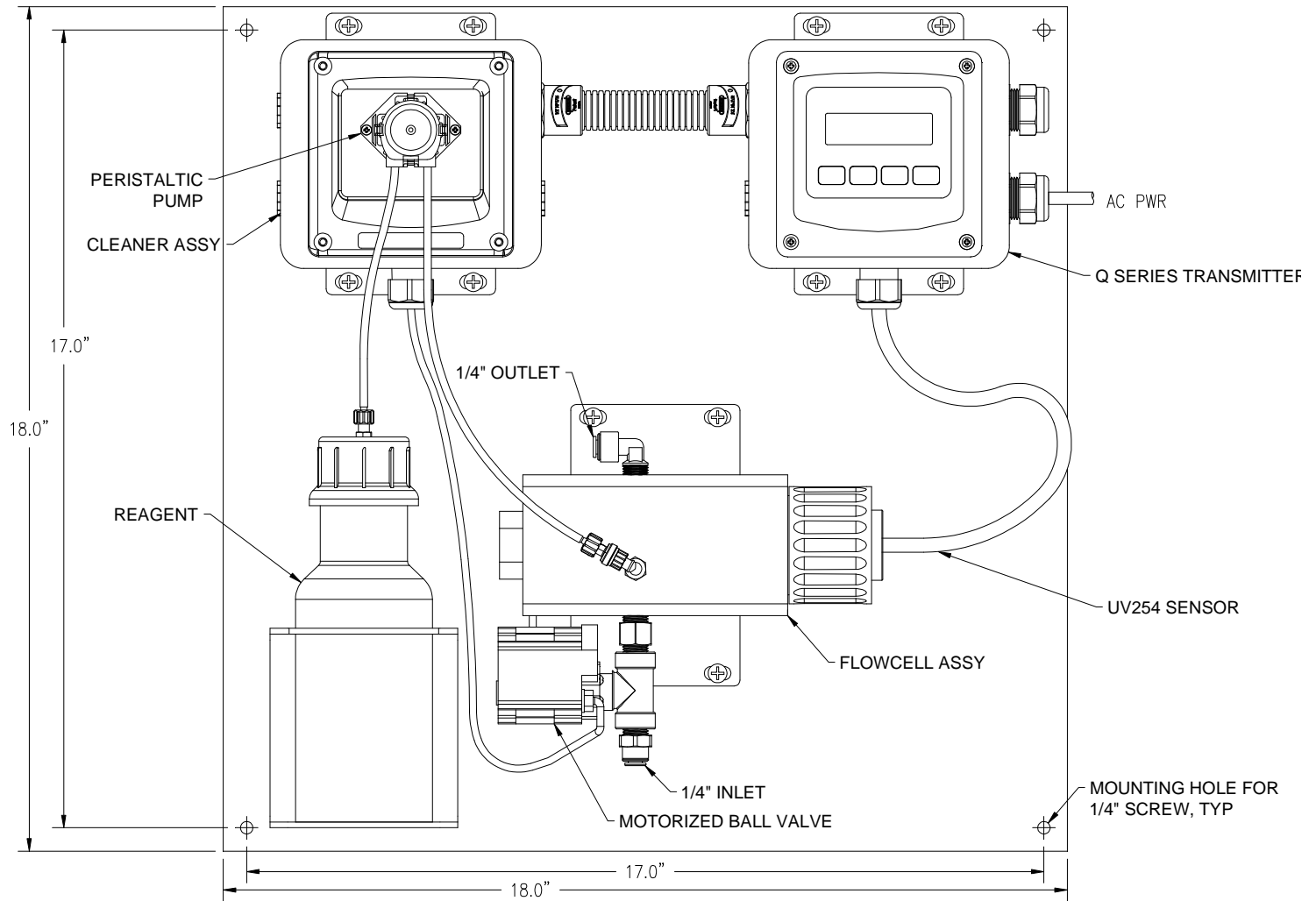
SENSOR CONNECTIONS



SENSOR CONNECTIONS - REMOTE JUNCTION BOX



UV254 System w/Q-Clean Panel Assembly



ATI-1197