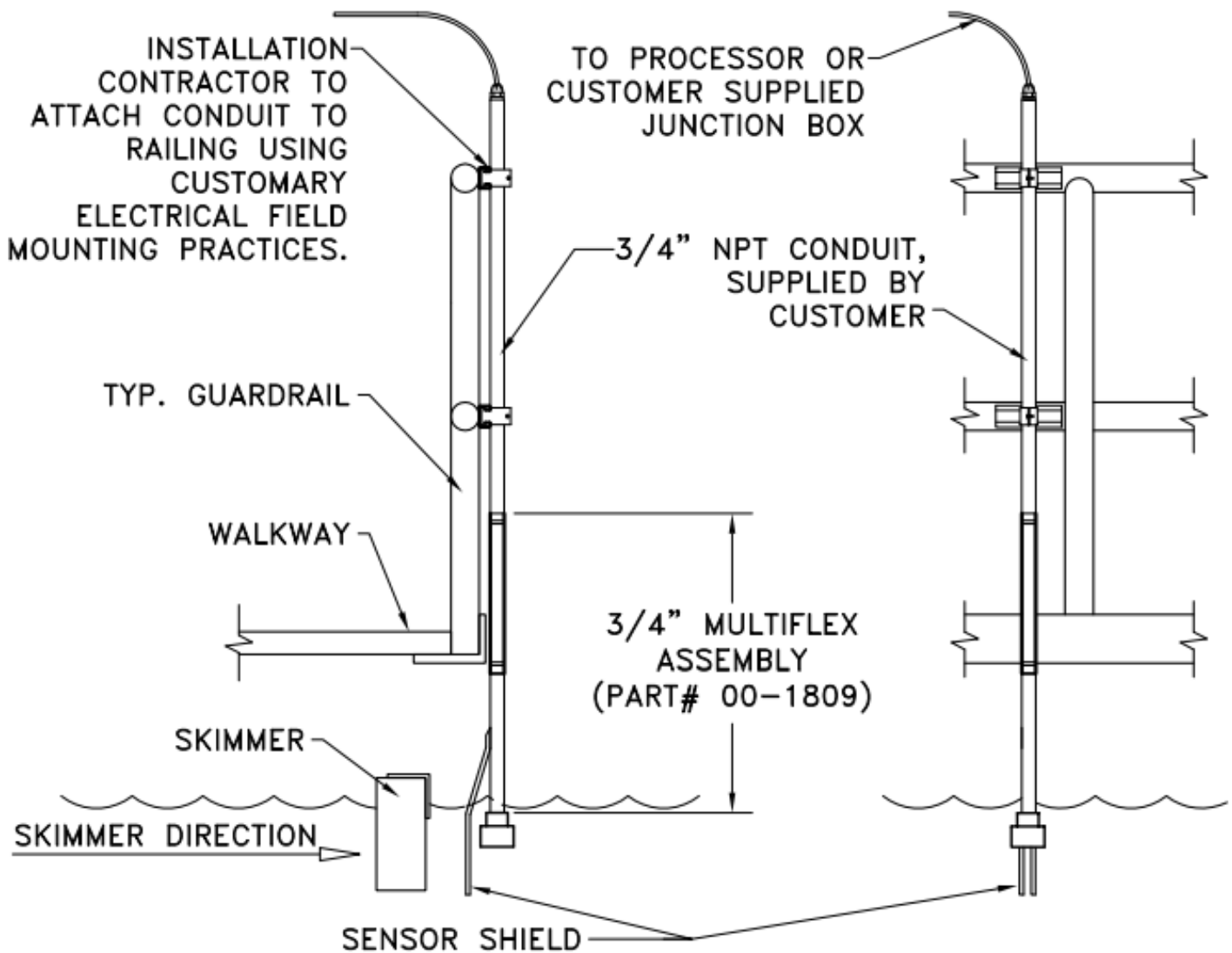


Sensor Flex Mount

For applications with surface skimmers.

Installation Utilizing:
00-1809 Multiflex Assy



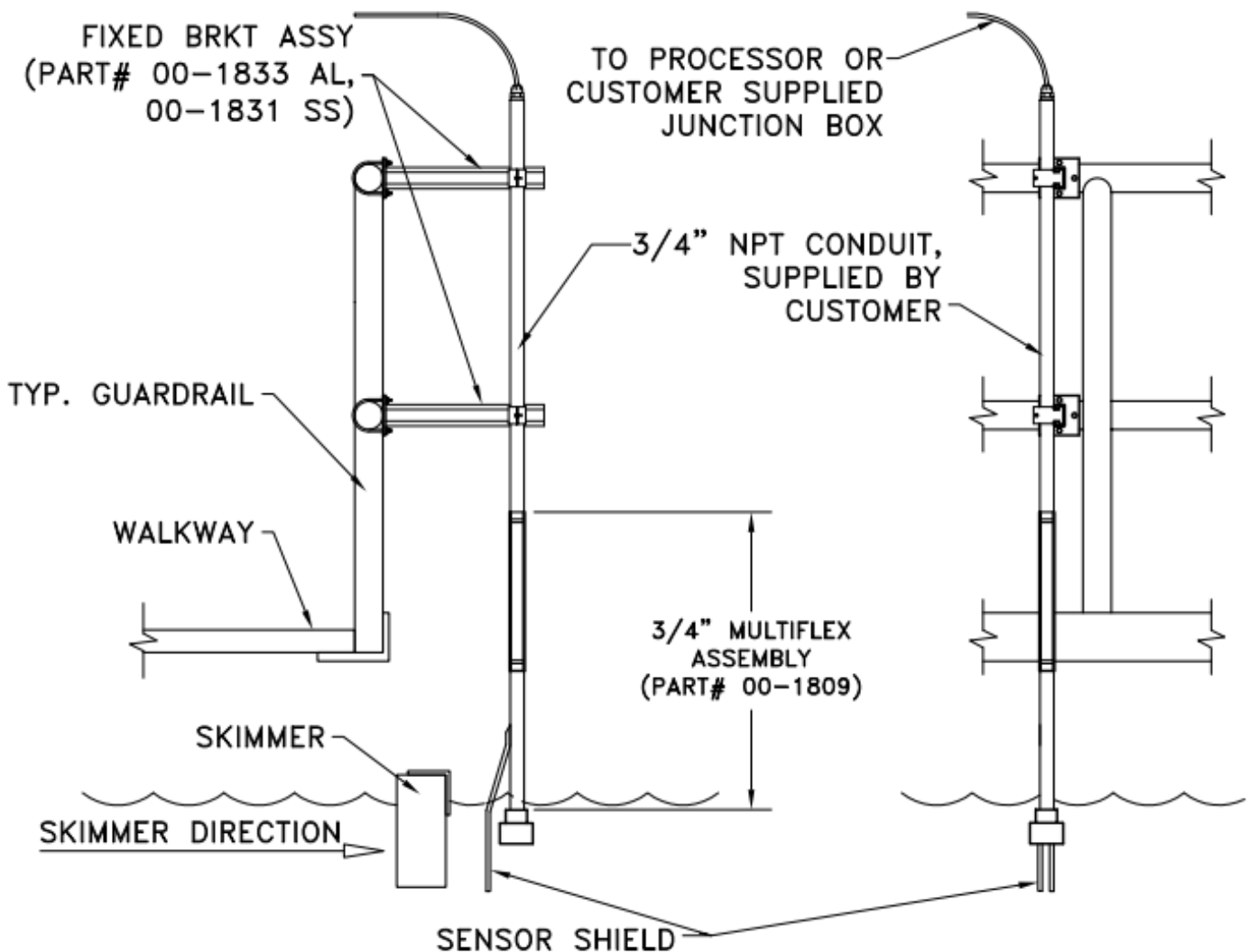
Sensor Installation Notes:

1. Position sensor shield such that it makes first contact with surface skimmer. Ensure the skimmer structure does not contact the sensor or the Multiflex assembly above the sensor shield.
2. Position sensor so that it is fully submerged under water (typically 6" below surface).
3. See Multiflex Assembly drawing for detail

Sensor Flex Mount

With Fixed Bracket Extensions
For applications with surface skimmers.

Installation Utilizing:
00-1809 Multiflex Assy
00-1833 Fixed Brkt Assy (AL)
OR
00-1831 Fixed Brkt Assy (SS)

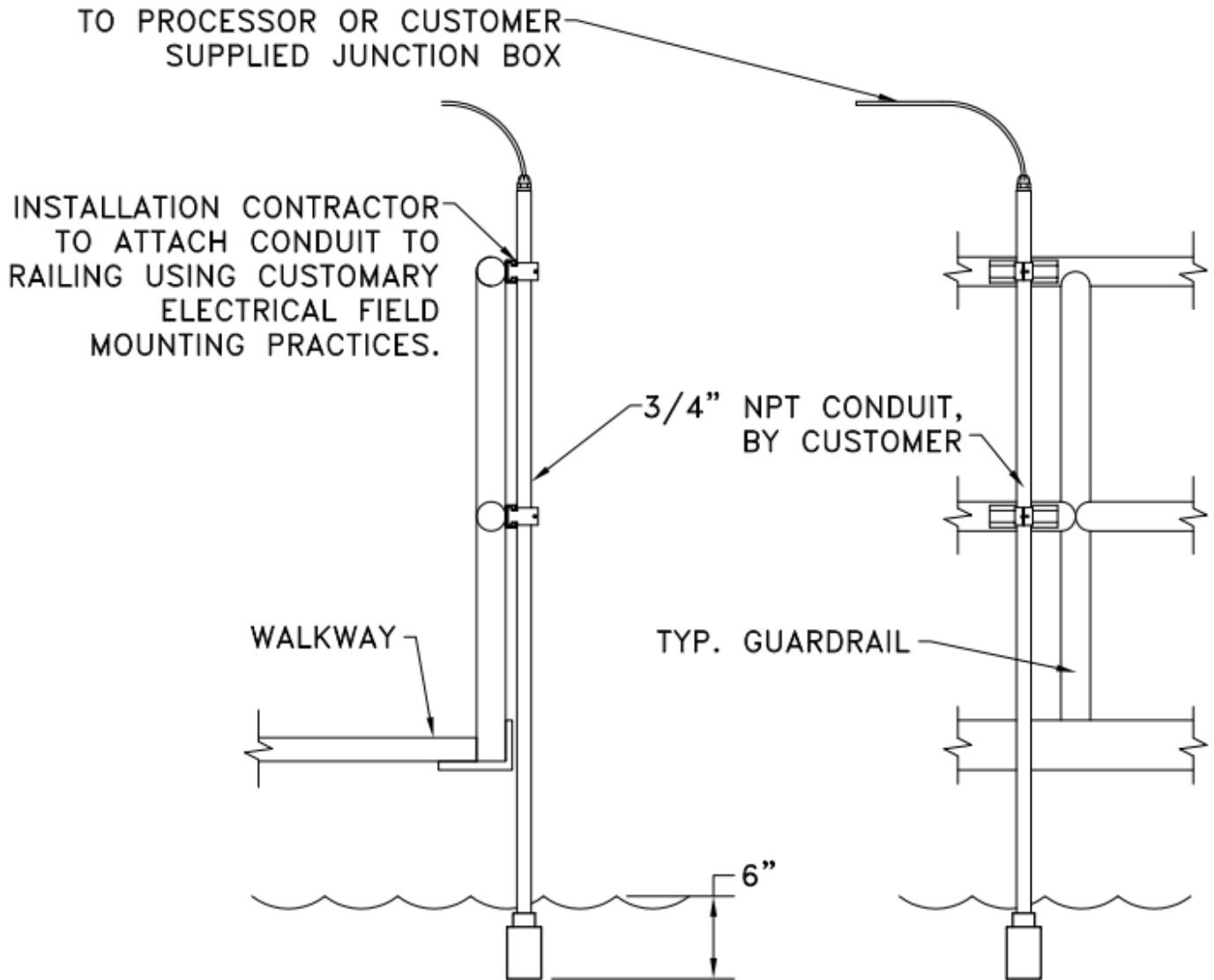


Sensor Installation Notes:

1. Position sensor shield such that it makes first contact with surface skimmer. Ensure the skimmer structure does not contact the sensor or the Multiflex assembly above the sensor shield.
2. Position sensor so that it is fully submerged under water (typically 6" below surface).
3. See Multiflex Assembly drawing for detail
4. See Fixed Bracket Assembly drawing for detail

Sensor Stationary Mount

For applications with no surface skimmer present.



Sensor Installation Notes:

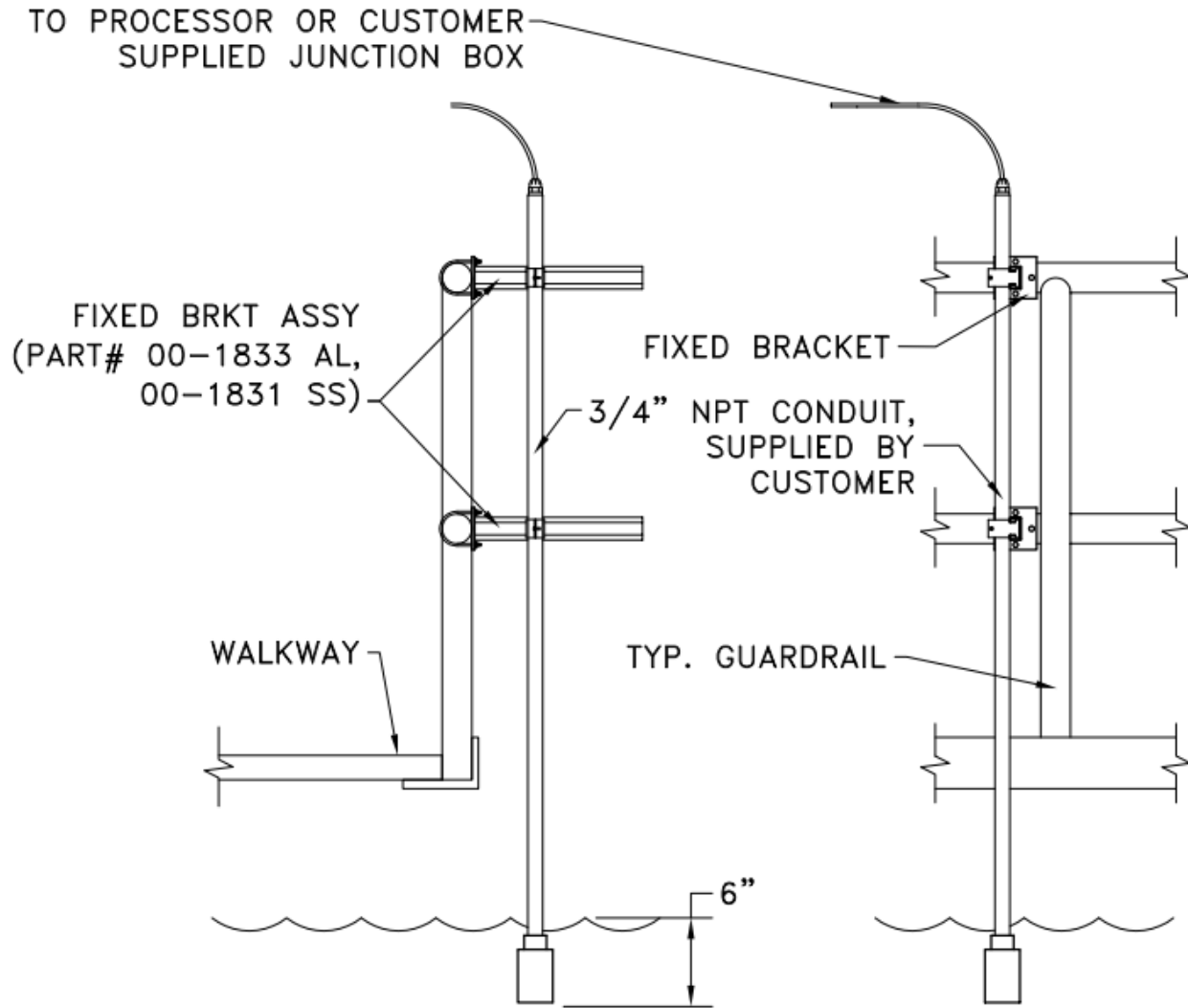
1. Position sensor so that it is fully submerged under water (typically 6" below surface).

Sensor Stationary Mount

With Fixed Bracket Extensions

For applications with no surface skimmer present.

Installation Utilizing:
 00-1833 Fixed Brkt Assy (AL)
 OR
 00-1831 Fixed Brkt Assy (SS)



Sensor Installation Notes:

1. Position sensor so that it is fully submerged under water (typically 6" below surface).
2. See Fixed Bracket Assembly drawing for detail