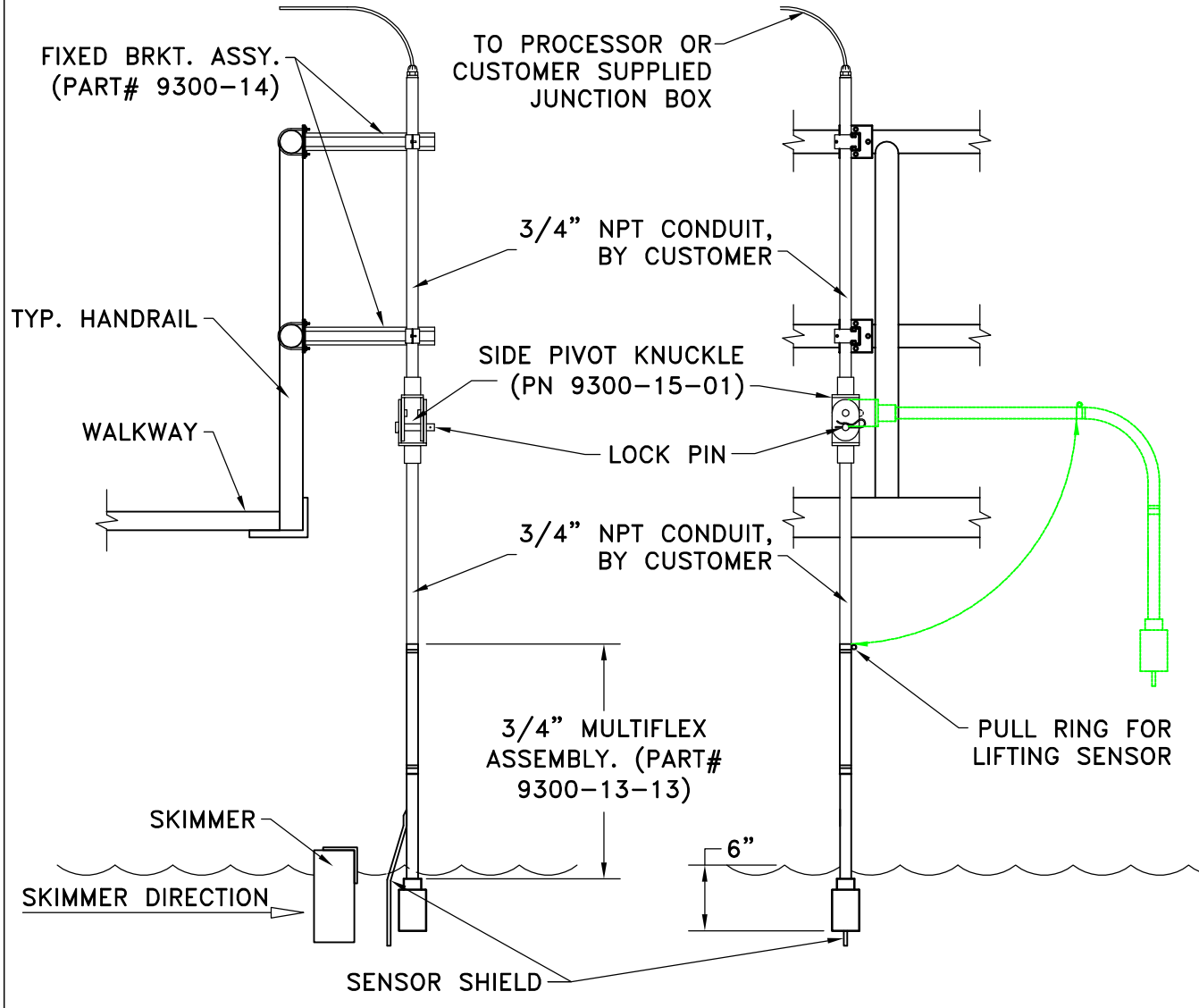


SENSOR FLEX-MOUNT ARRANGEMENT

WITH OPTIONAL FIXED BRACKET ASSEMBLY AND
SIDE PIVOT KNUCKLE (FOR USE WITH SURFACE
SKIMMERS AND TO ACCESS SENSOR FOR SERVICE)



SENSOR INSTALLATION NOTES:

1. POSITION SENSOR SHIELD SUCH THAT IT MAKES FIRST CONTACT WITH SURFACE SKIMMER. ENSURE THAT THE SKIMMER STRUCTURE DOES NOT CONTACT THE SENSOR OR THE MULTIFLEX ASSEMBLY ABOVE THE SENSOR SHIELD.
2. POSITION SENSOR SO THAT IT IS FULLY SUBMERGED UNDER WATER (TYPICAL 6" BELOW SURFACE).
3. SEE DRAWING # 9300-14-03 FOR FIXED BRACKET HANDRAIL MOUNTING OPTIONS.
4. FOR STAINLESS STEEL FIXED BRACKETS ORDER KIT # 9300-14-01. FOR ALUMINUM FIXED BRACKETS ORDER KIT # 9300-14-02.
5. SEE 9300-13-13 FOR MULTI-FLEX ASSEMBLY DETAIL.
6. SEE 9300-15-01 FOR SIDE PIVOT KNUCKLE DETAIL.
7. SIDE PIVOT KNUCKLE MAY BE USED WITH OR WITHOUT MULTI-FLEX ASSY.

		Entech Design, Inc. <small>315 S. Locust Benton, TX 76801</small>	
		SCALE: N/A	DRAWN BY: TODD McCLENDON
		DATE: 12-9-13	
		SENSOR FLEX-MOUNT ARRANGEMENT	
REVISIONS		EchoSmart	DRAWING NO. 9500-213

THIS DRAWING IS THE PROPERTY OF
ENTECH DESIGN, Inc.
AND IS LOANED UPON CONDITION THAT IT IS NOT TO BE
REPRODUCED OR COPIED, IN WHOLE OR IN PART, OR USED
FOR FURNISHING INFORMATION TO OTHERS OR FOR ANY
OTHER PURPOSE DETRIMENTAL TO THE INTEREST OF E.D.I.
AND WILL BE RETURNED UPON REQUEST.