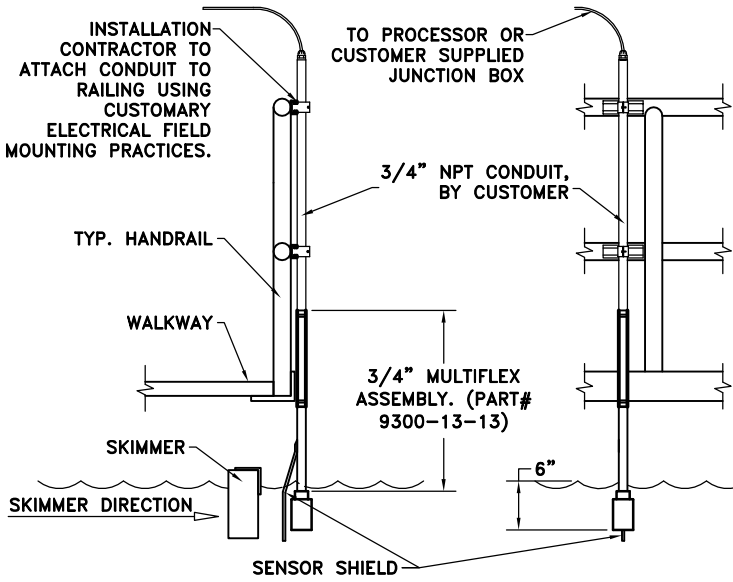
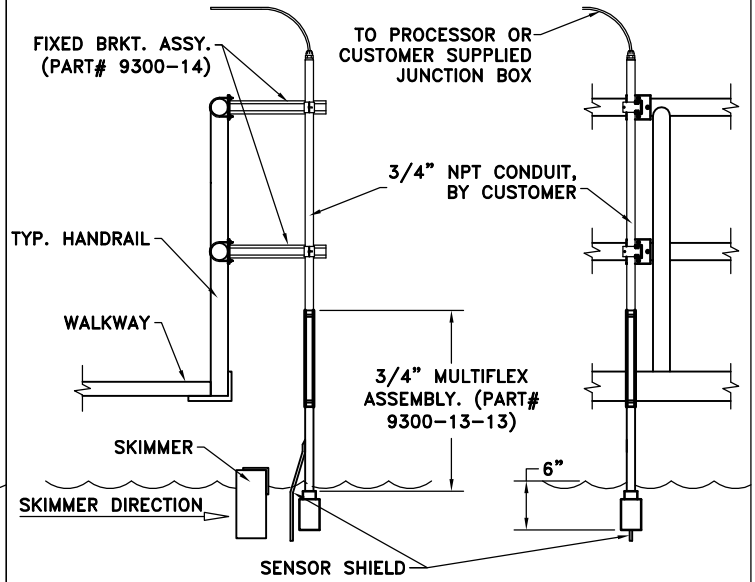


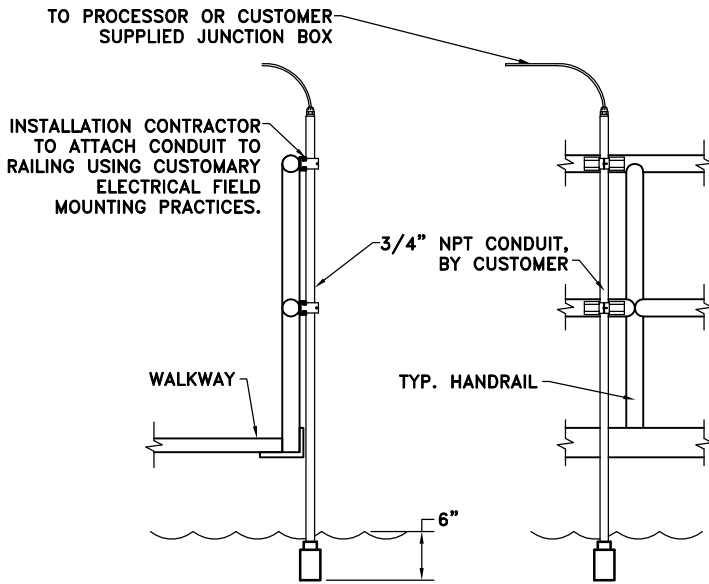
SENSOR FLEX MOUNT
(FOR USE WITH SURFACE SKIMMERS)



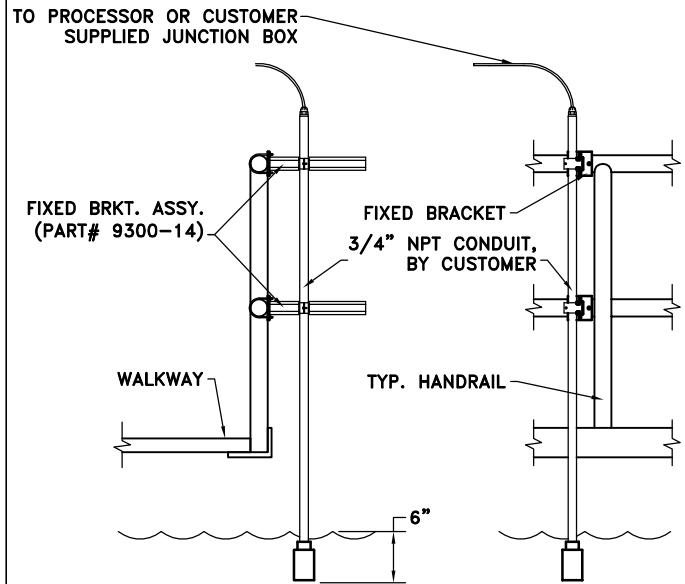
SENSOR FLEX MOUNT
WITH FIXED BRACKET EXTENSIONS
(FOR USE WITH SURFACE SKIMMERS)



SENSOR STATIONARY MOUNT



SENSOR STATIONARY MOUNT
WITH FIXED BRACKET EXTENSIONS



SENSOR INSTALLATION NOTES:

1. POSITION SENSOR SHIELD SUCH THAT IT MAKES FIRST CONTACT WITH SURFACE SKIMMER. ENSURE THAT THE SKIMMER STRUCTURE DOES NOT CONTACT THE SENSOR OR THE MULTIFLEX ASSEMBLY ABOVE THE SENSOR SHIELD.
2. POSITION SENSOR SO THAT IT IS FULLY SUBMERGED UNDER WATER (TYPICAL 6" BELOW SURFACE).
3. SEE DRAWING # 9300-14-03 FOR FIXED BRACKET HANDRAIL MOUNTING OPTIONS.
4. FOR STAINLESS STEEL FIXED BRACKETS ORDER KIT # 9300-14-01. FOR ALUMINUM FIXED BRACKETS ORDER KIT # 9300-14-02.
5. SEE 9300-13-13 FOR MULTI-FLEX ASSEMBLY DETAIL.

THIS DRAWING IS THE PROPERTY OF
ENTECH DESIGN, Inc.
AND IS LOANED UPON CONDITION THAT IT IS NOT TO BE
REPRODUCED OR COPIED, IN WHOLE OR IN PART, OR USED
FOR FURNISHING INFORMATION TO OTHERS OR FOR ANY
OTHER PURPOSE DETRIMENTAL TO THE INTEREST OF E.D.I.
AND WILL BE RETURNED UPON REQUEST.

| | | | |
|--|--|--|--------------------------|
| <p>Entech Design, Inc. 315 S. Locust Denton, TX 76201</p> | | SCALE: N/A | DRAWN BY: TODD McCLENDON |
| | | DATE: 12-12-08 | |
| <p>REVISIONS</p> | | <p>ECHO SMART SENSOR MOUNTING ARRANGEMENTS</p> | |
| | | <p>ECHO SMART</p> | |
| | | <p>DRAWING NO. ESS-210</p> | |