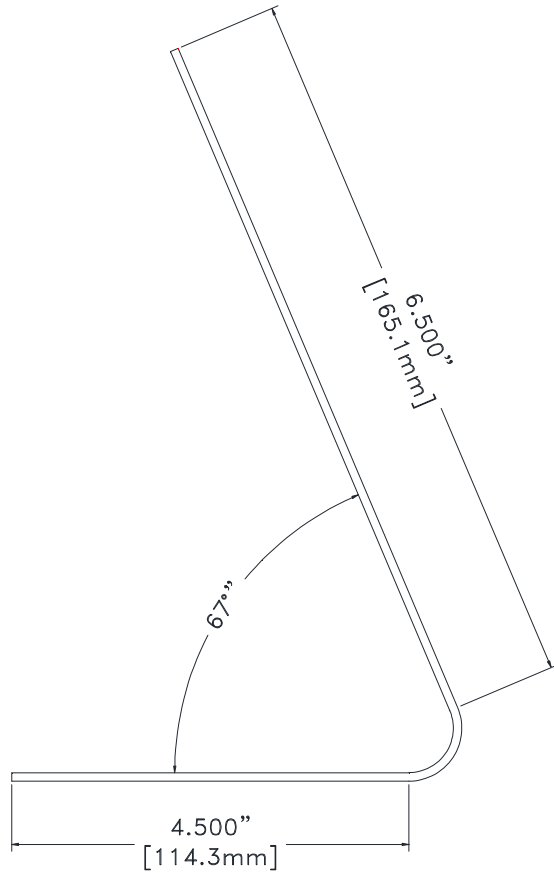
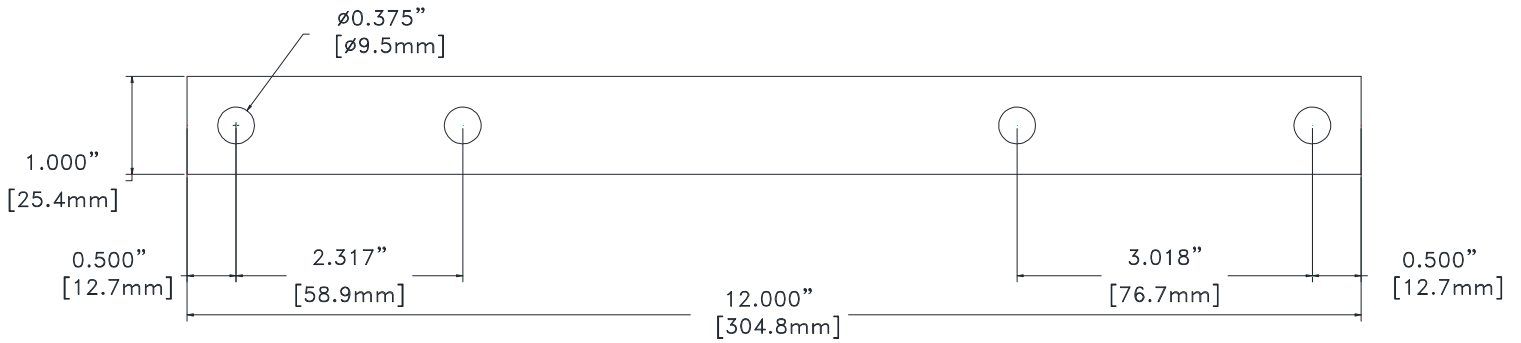
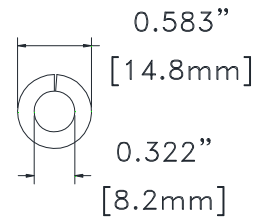


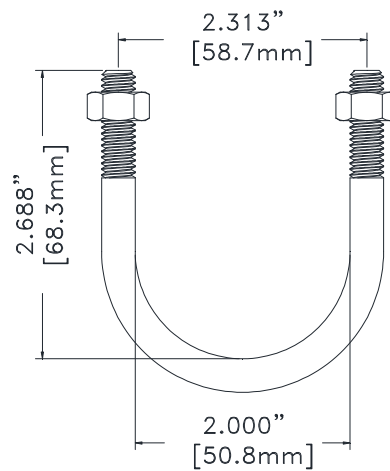
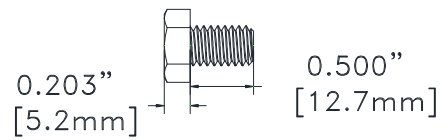
**DIMENSIONAL DRAWING**



(2) CONTROLLER BRACKETS



(4) LOCK WASHERS & (4) BOLTS, 5/16 – 18 x 1/2"



(2) U-BOLT, 5/16 – 18

**Material:**  
 Stainless Steel

**RECOMMENDED INSTALLATION**

