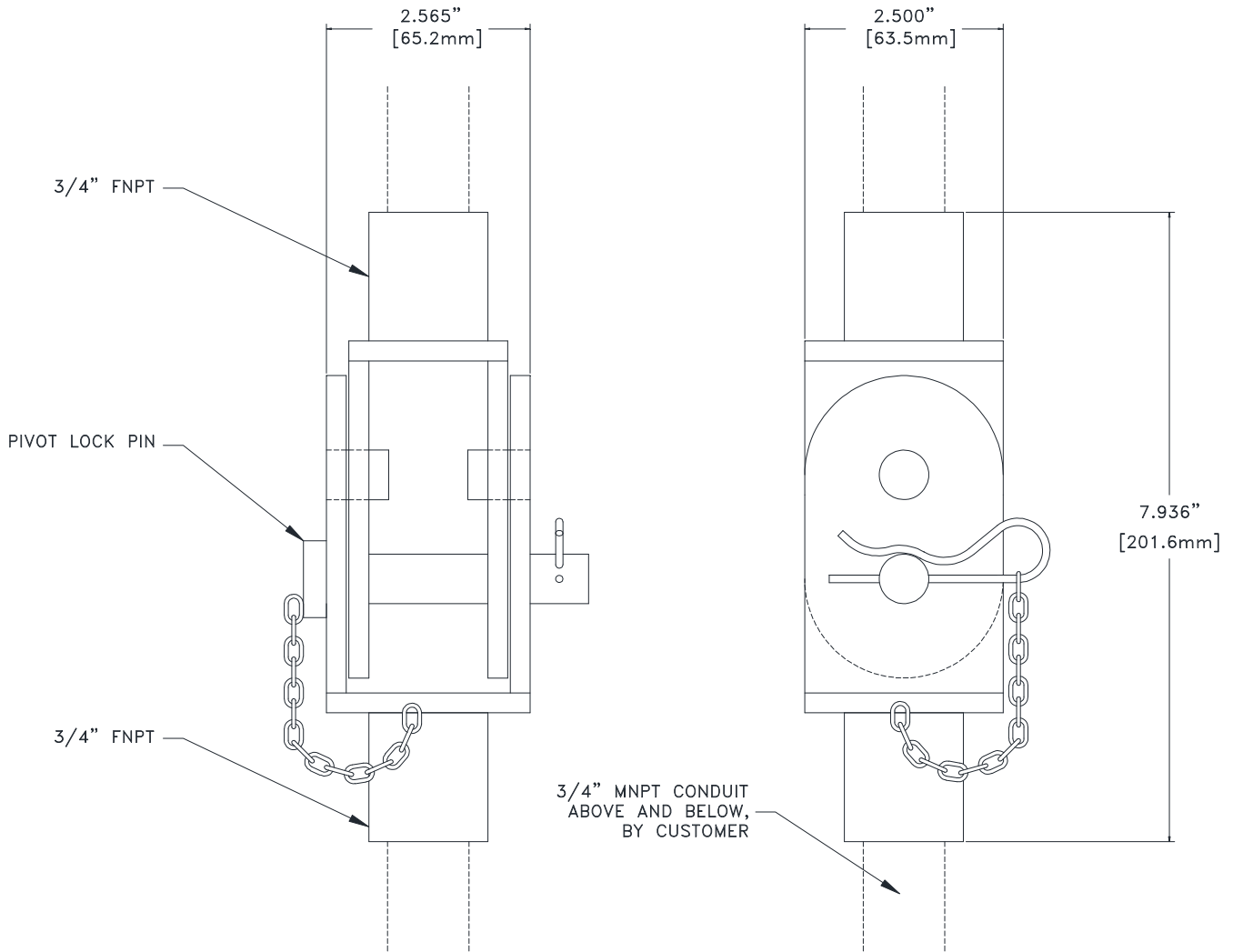
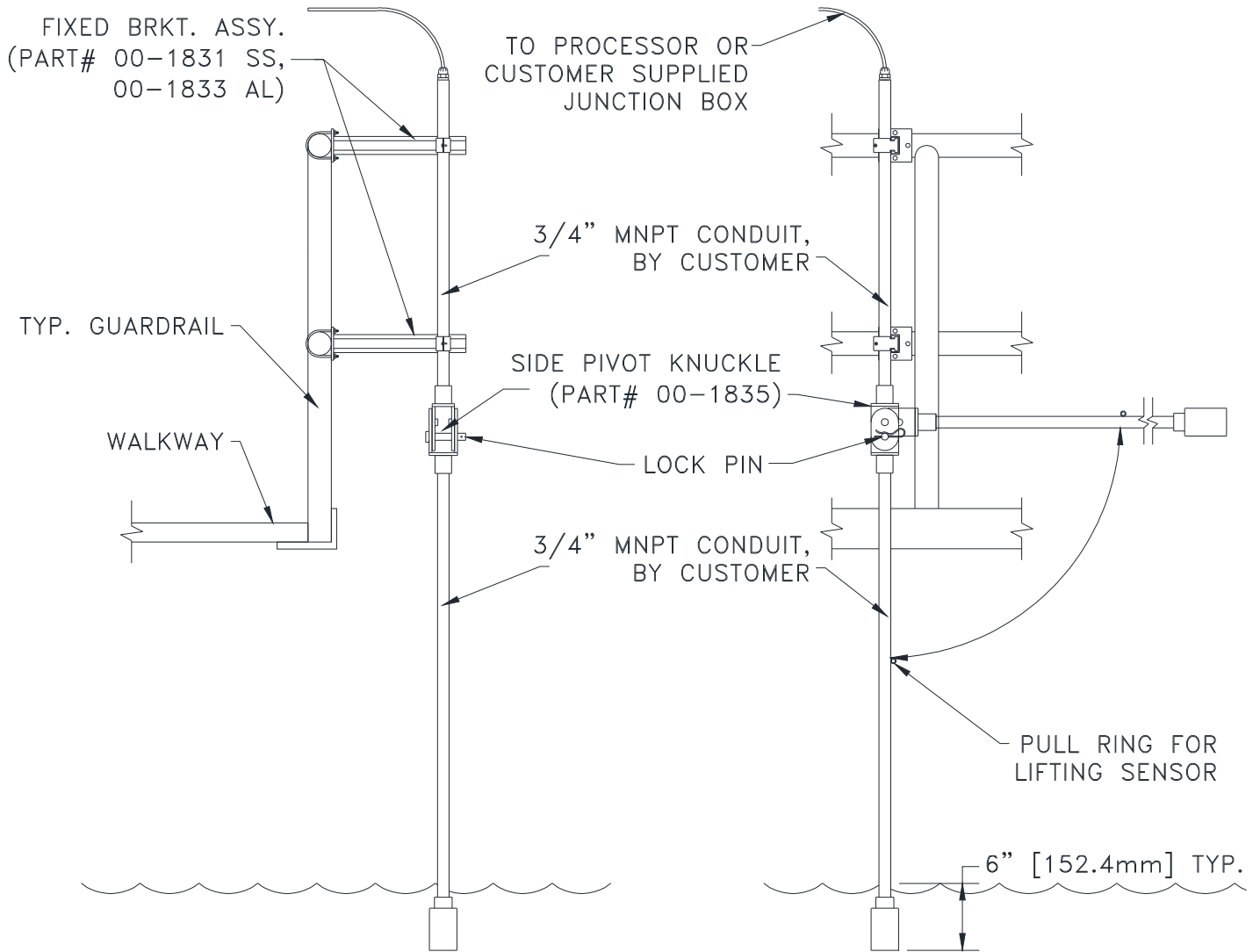


DIMENSIONAL DRAWING



Material:
304 Stainless Steel

INSTALLATION DRAWING



Sensor Installation Notes:

1. When installed, the pivot knuckle should reside approximately 1.0' (0.305m) above the walkway.
2. Position sensor so that it is fully submerged under water (typically 6" below surface).
3. When feeding the cable through the pivot knuckle, leave ONLY enough slack in the cable to allow for rotation of the pivot knuckle.
4. Ensure the sensor pivots in the desired direction.
5. It is recommended to attach a cable or chain to the section of conduit connected to the sensor for raising the sensor toward the walkway (it can be secured at the safety railing).
6. See Fixed Bracket Assembly drawing for detail.