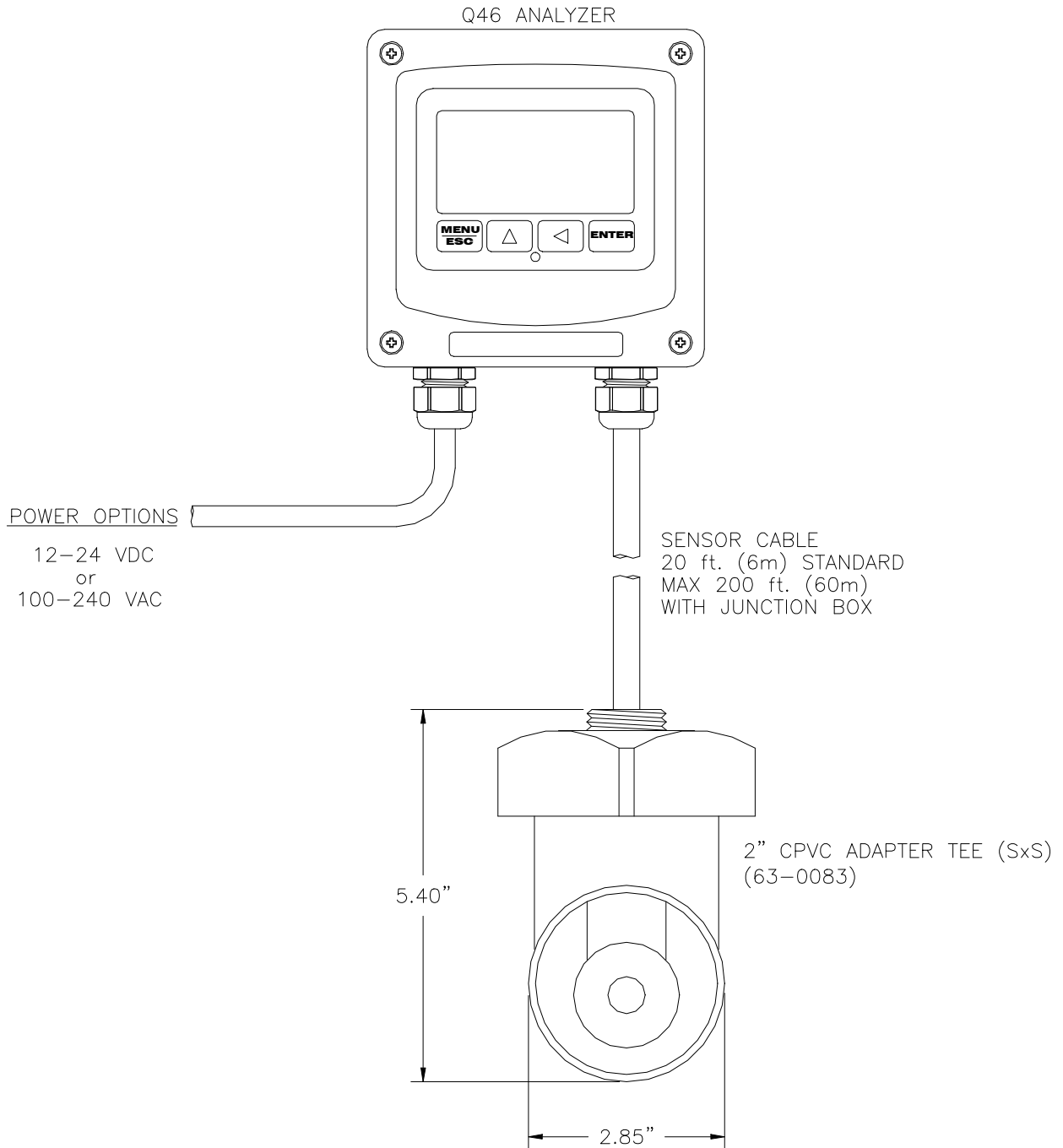


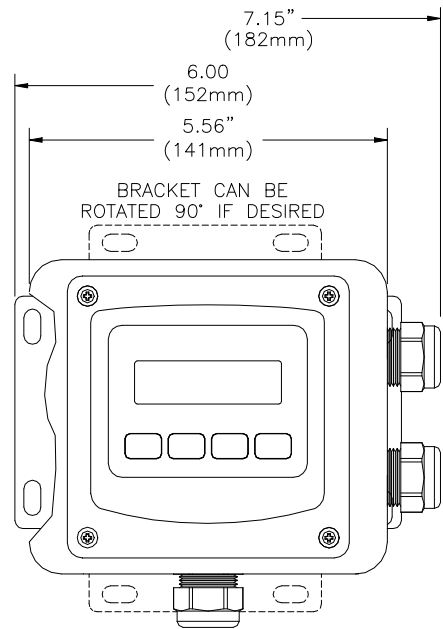
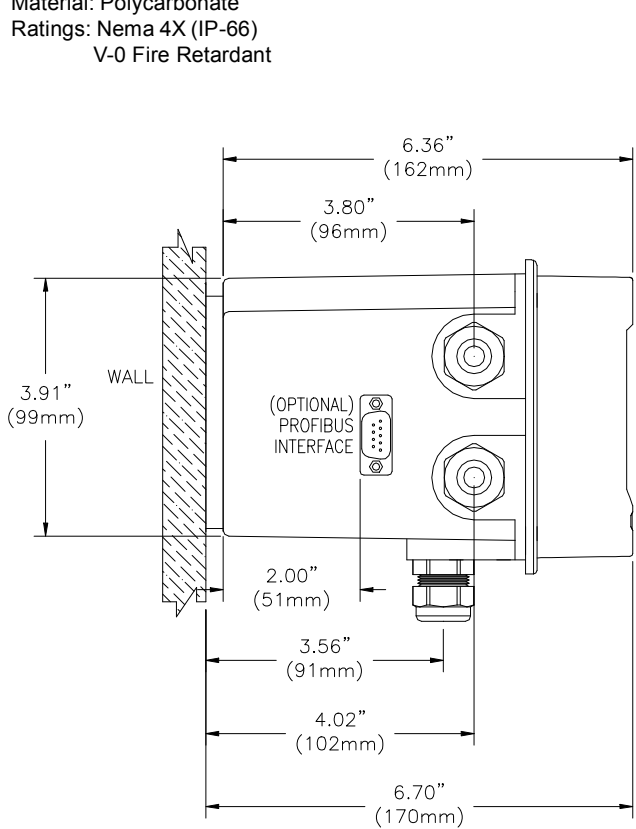
**STANDARD SYSTEM DIAGRAM**



ATI-0760

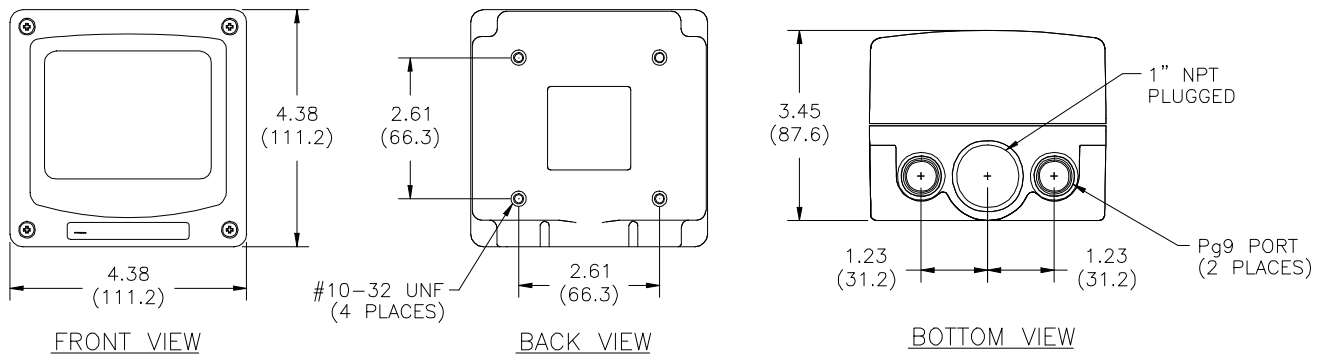
**ANALYZER DIMENSIONS (WALL MOUNT SHOWN)**

Material: Polycarbonate  
 Ratings: Nema 4X (IP-66)  
 V-0 Fire Retardant



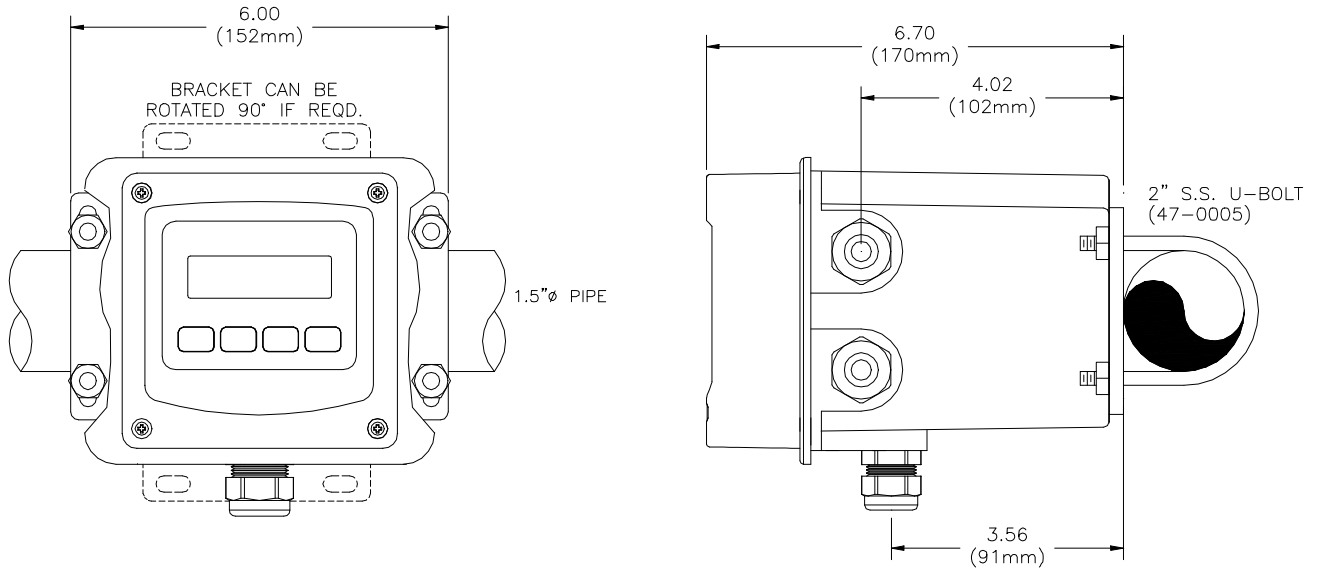
ATI-0926

**JUNCTION BOX**



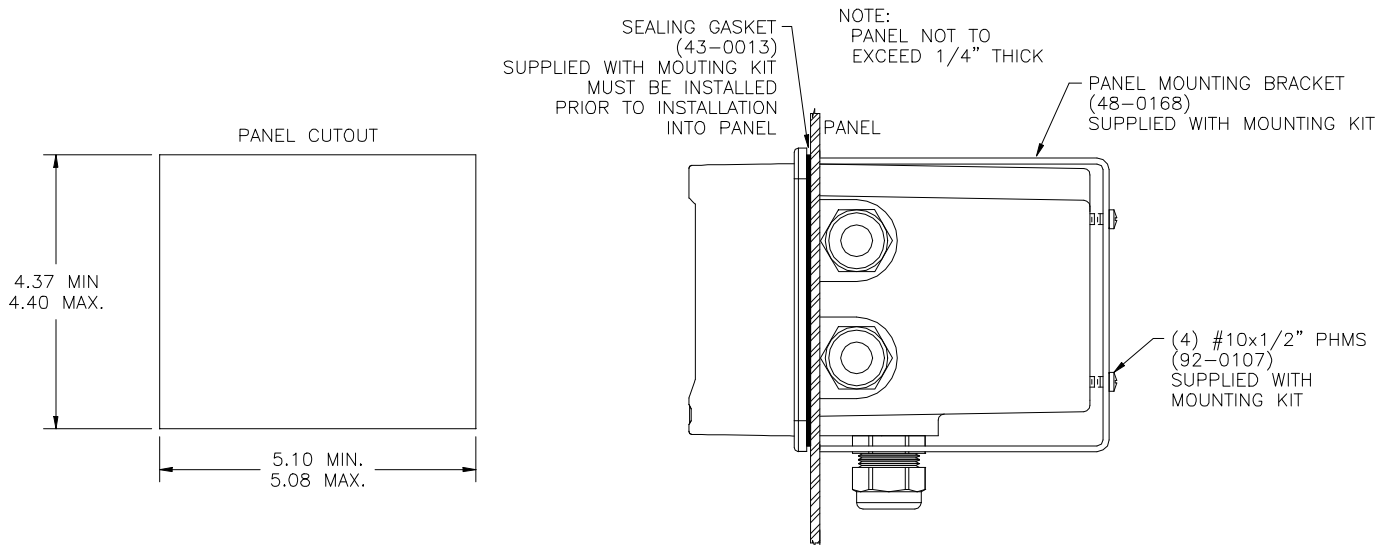
ATI-0655

**PIPE MOUNTING**



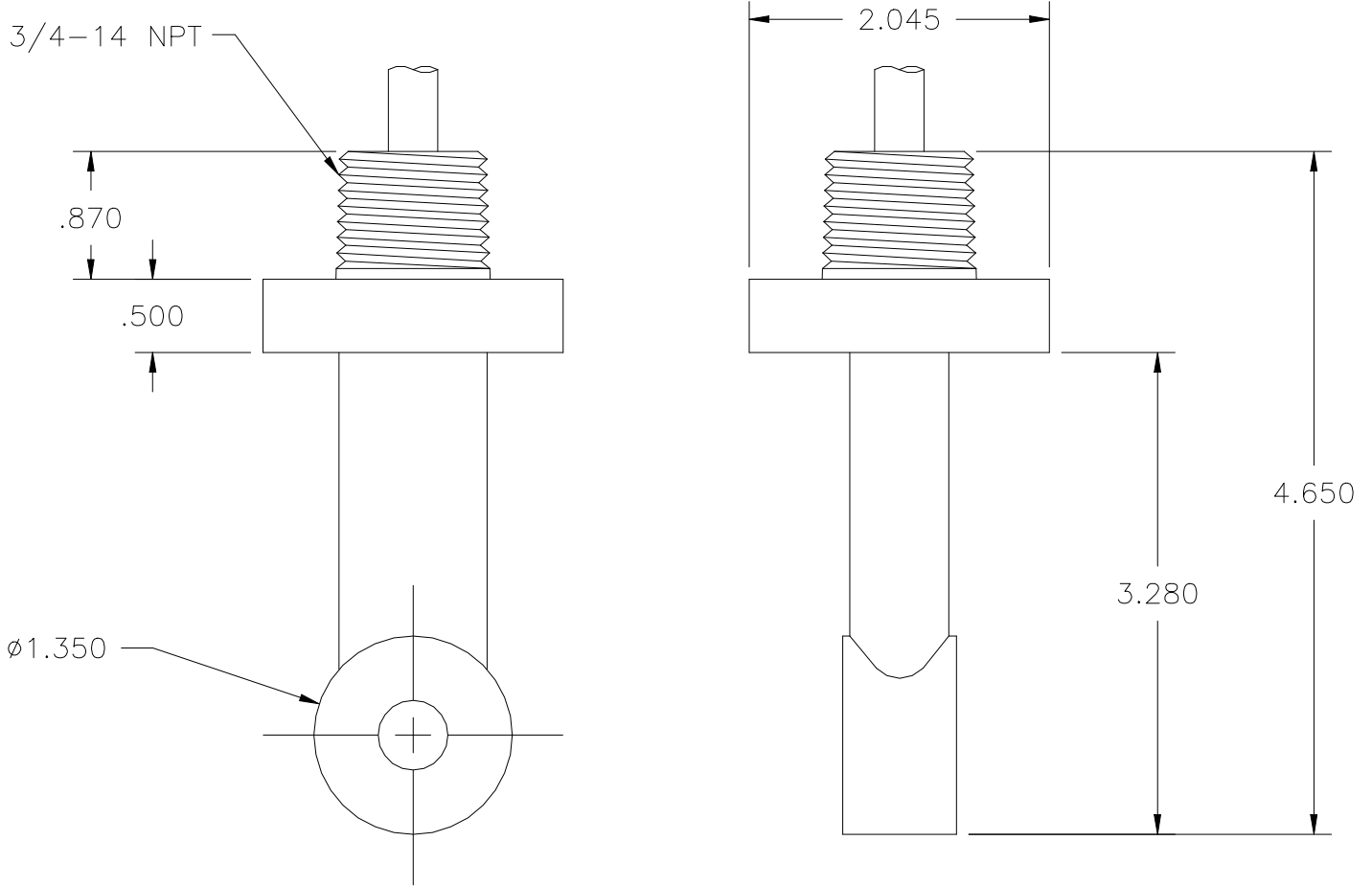
ATI-0927

**PANEL MOUNTING DIAGRAM**



ATI-0928

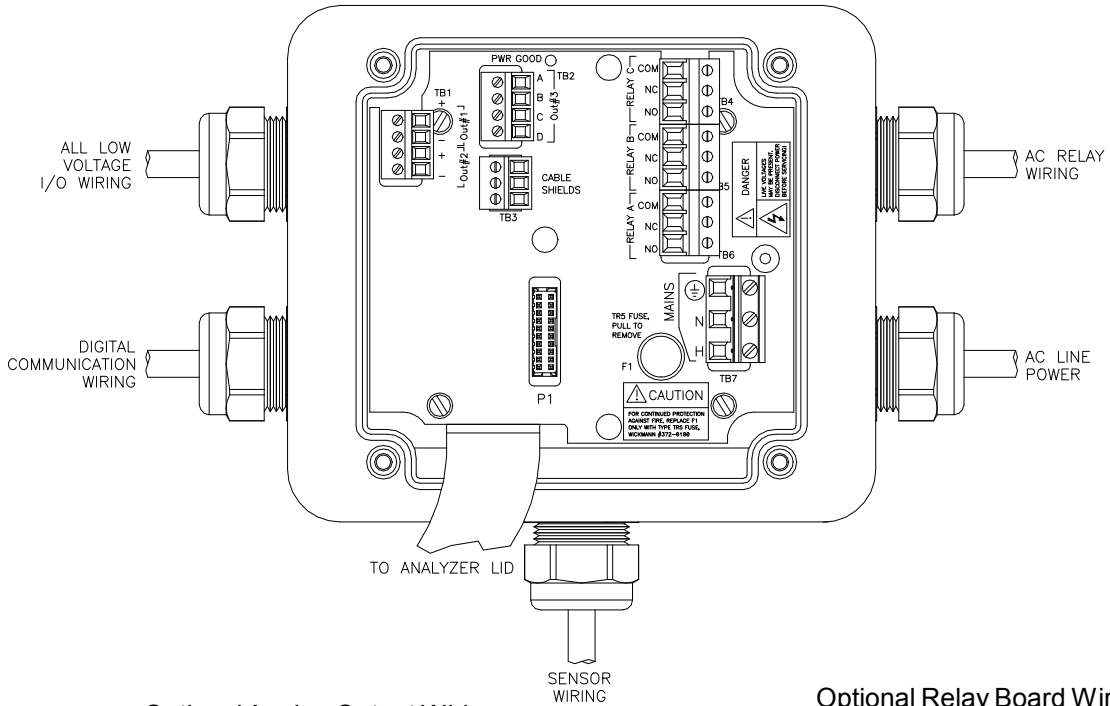
**SENSOR DIMENSIONAL INFORMATION**



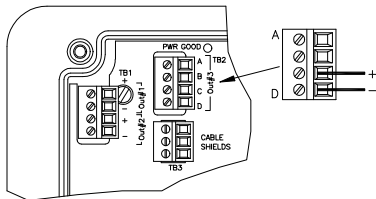
Matl: Noryl

ATI-0758

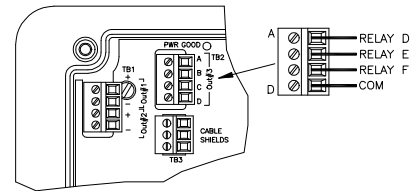
**POWER, RELAY, AND OUTPUT CONNECTIONS**



Optional Analog Output Wiring



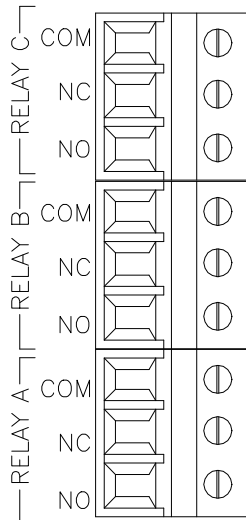
Optional Relay Board Wiring (30V Max.)



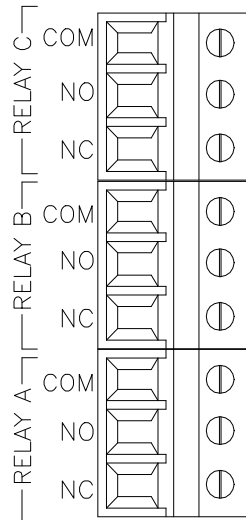
ATI-0930, 0932, 0933

**RELAY WIRING TB4,5,6 DETAIL**

FACTORY DEFAULT (NORMAL MODE)

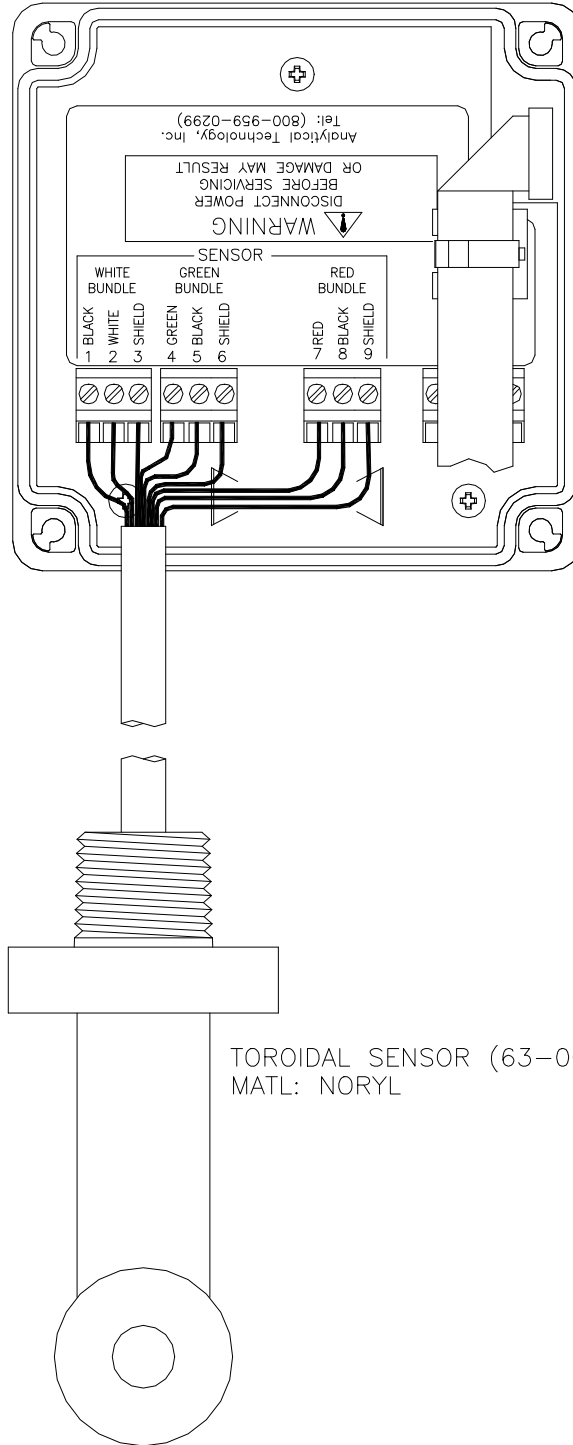


(FAILSAFE MODE)

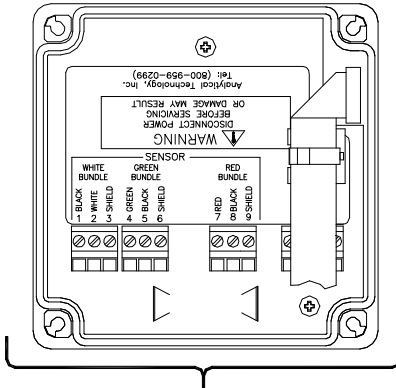


ATI-0931

**SENSOR CONNECTIONS**

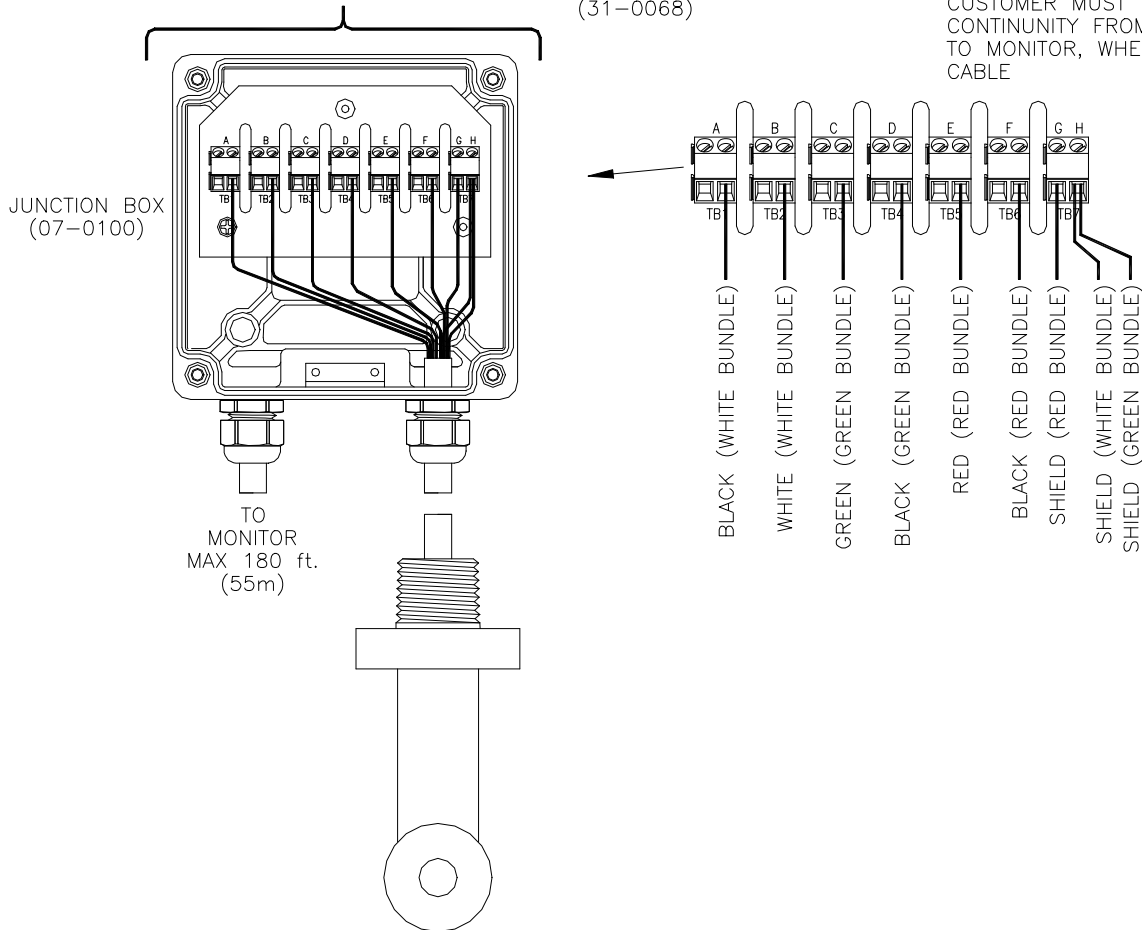


**SENSOR CONNECTIONS - JUNCTION BOX**



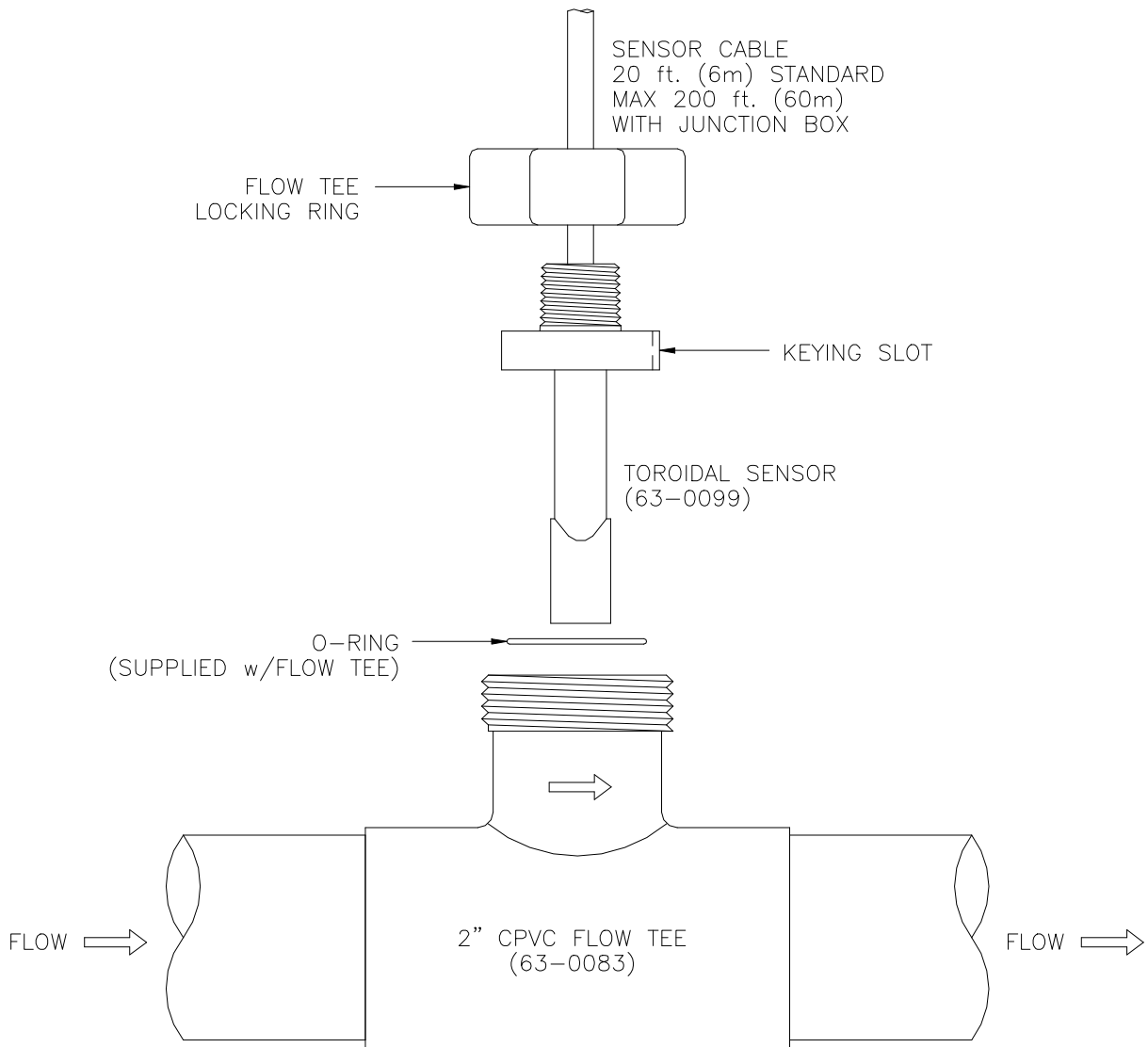
22 AWG 3 PAIRED INDIVIDUALLY SHIELDED  
CABLE REQD. BELDEN # 8777 or  
(31-0068)

CUSTOMER MUST FOLLOW  
CONTINUITY FROM J-BOX  
TO MONITOR, WHEN CONNECTING  
CABLE



ATI-0955

**CONDUCTIVITY SENSOR - 2" FLOW TEE ASSEMBLY**

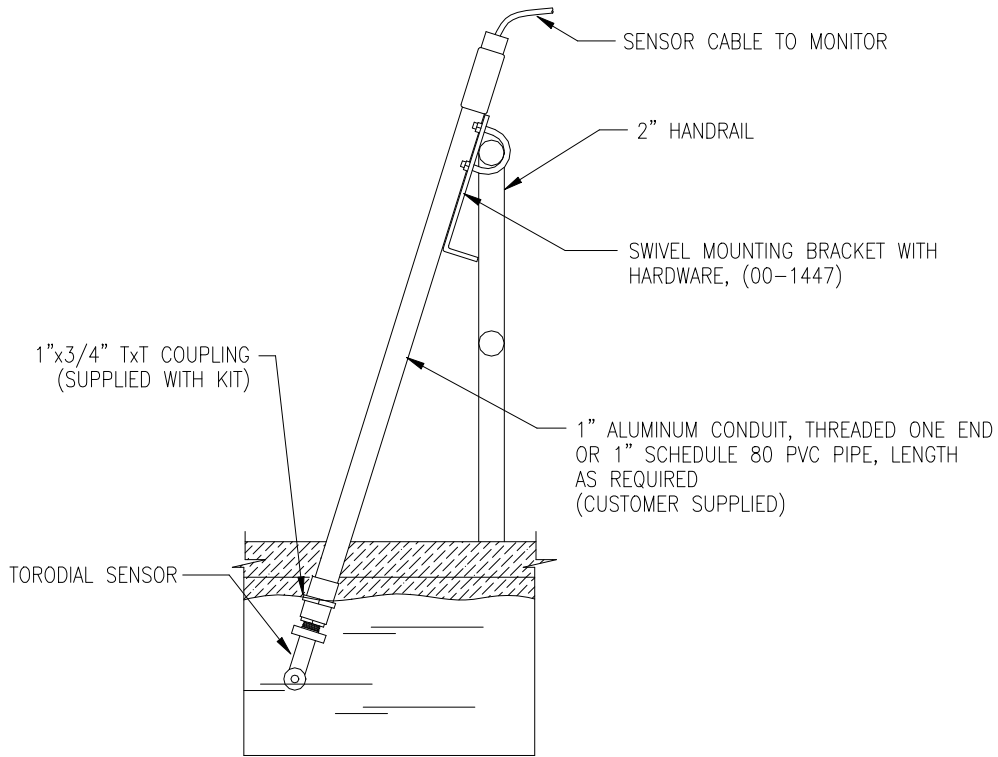


ATI-1038

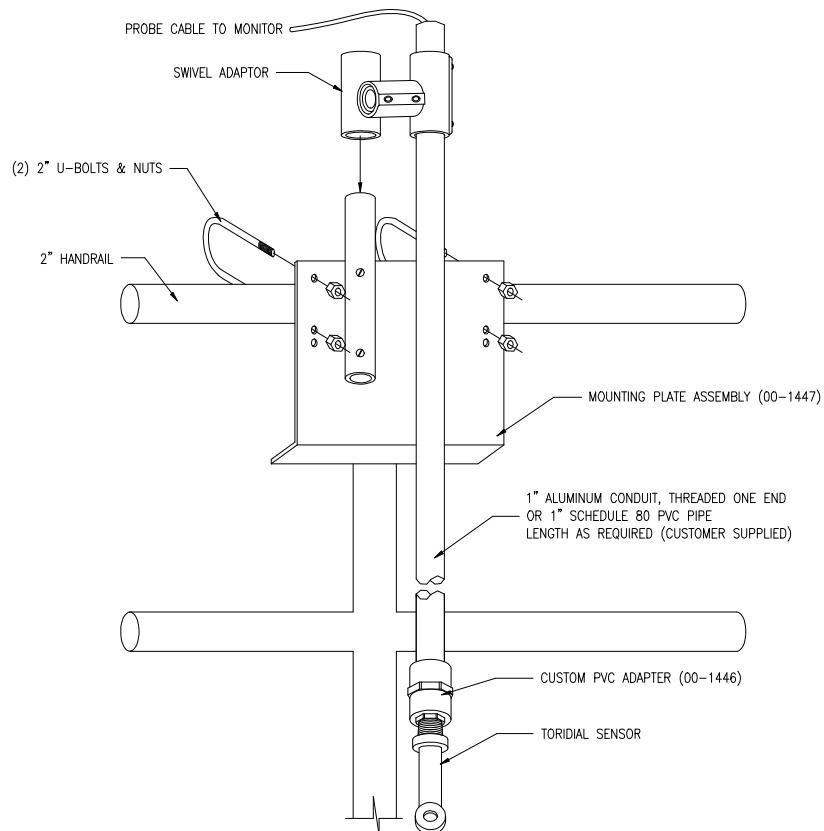




**SUBMERSIBLE SENSOR DIMENSIONS & INSTALLATION**



ATI-0763



ATI-0762