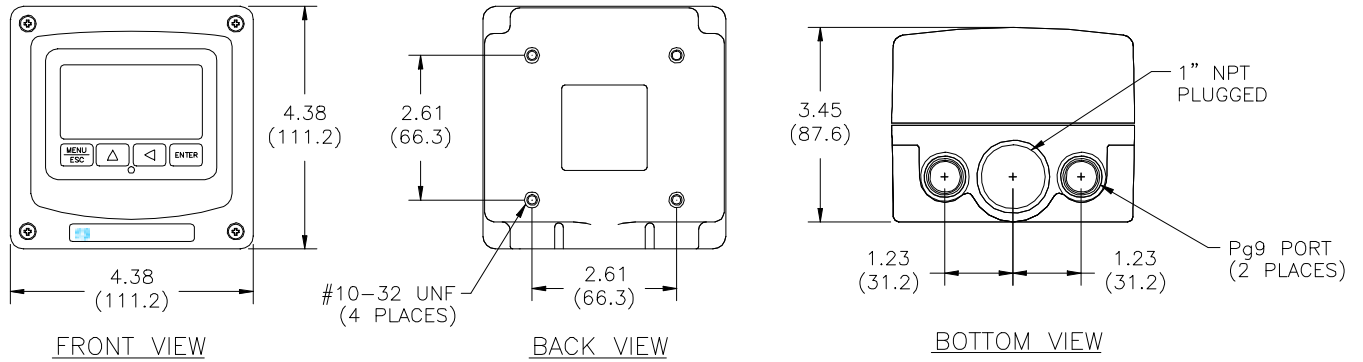


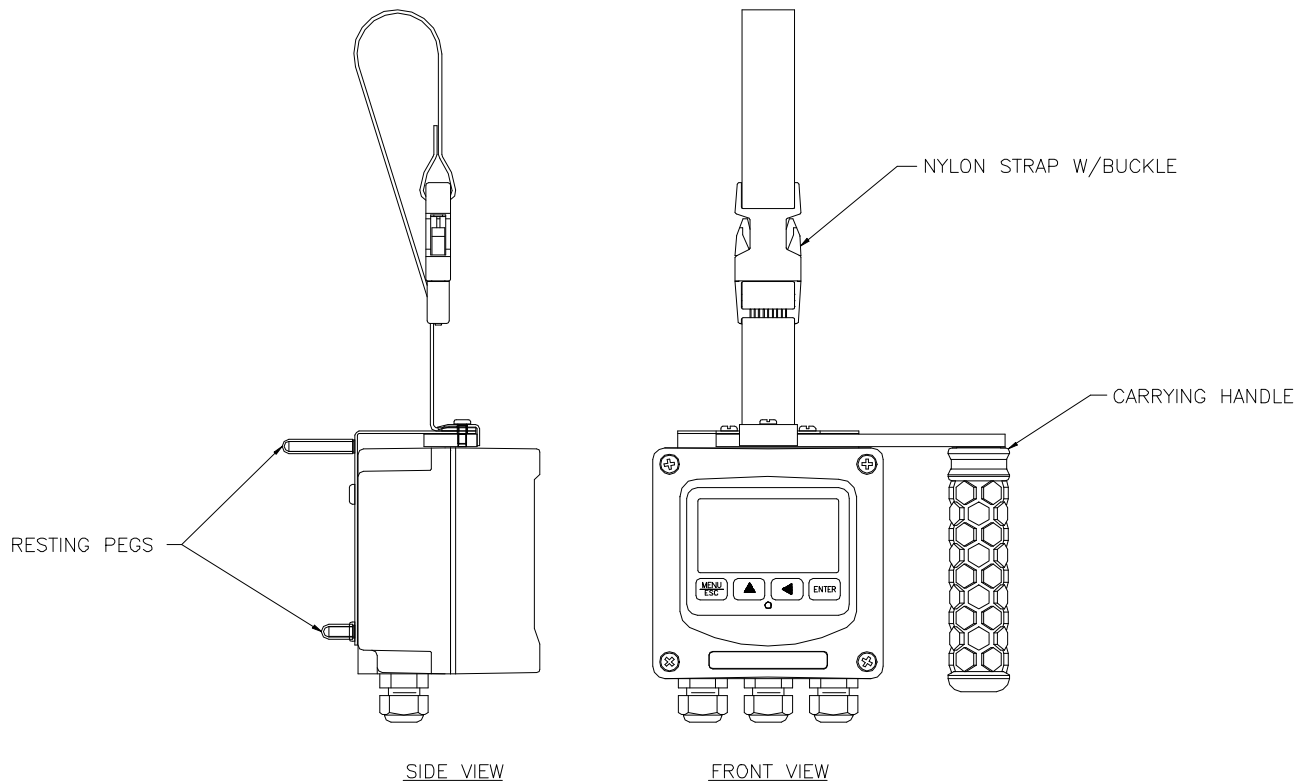
2-WIRE VERSION or REMOTE DC MODELS



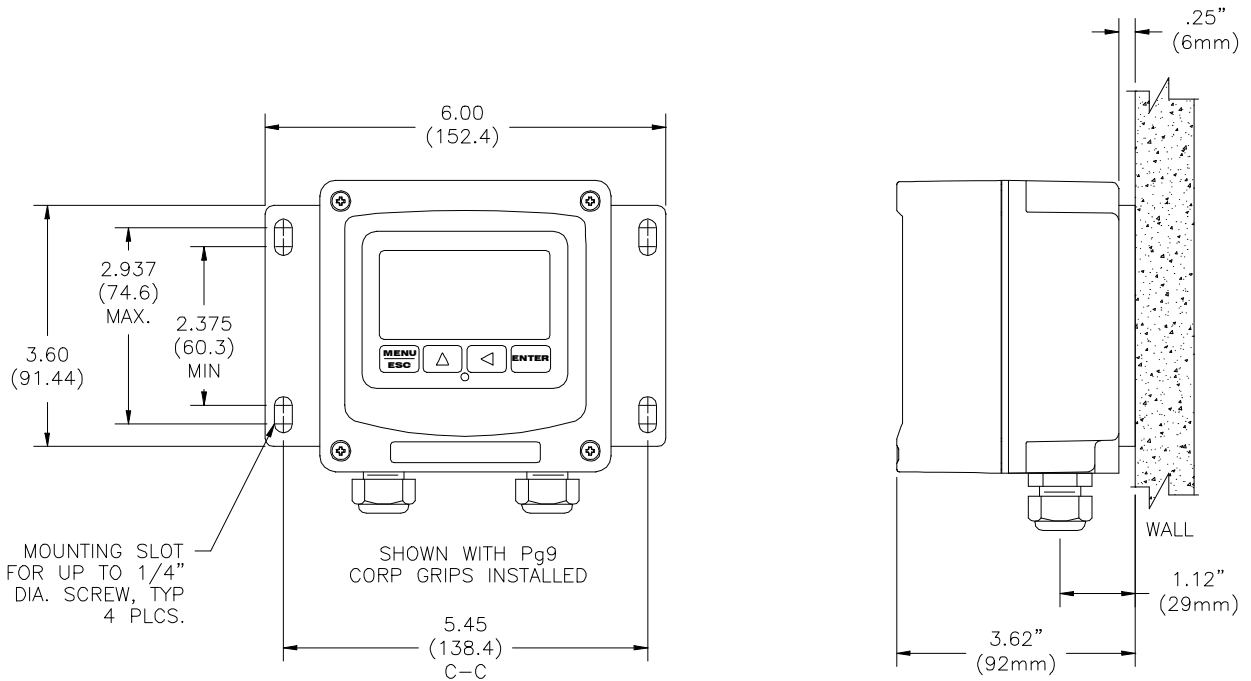
NOTE: JUNCTION BOXES HAVE SAME DIMENSIONS AS 2-WIRE TRANSMITTER

ATI-0655

INTERNAL BATTERY MODEL

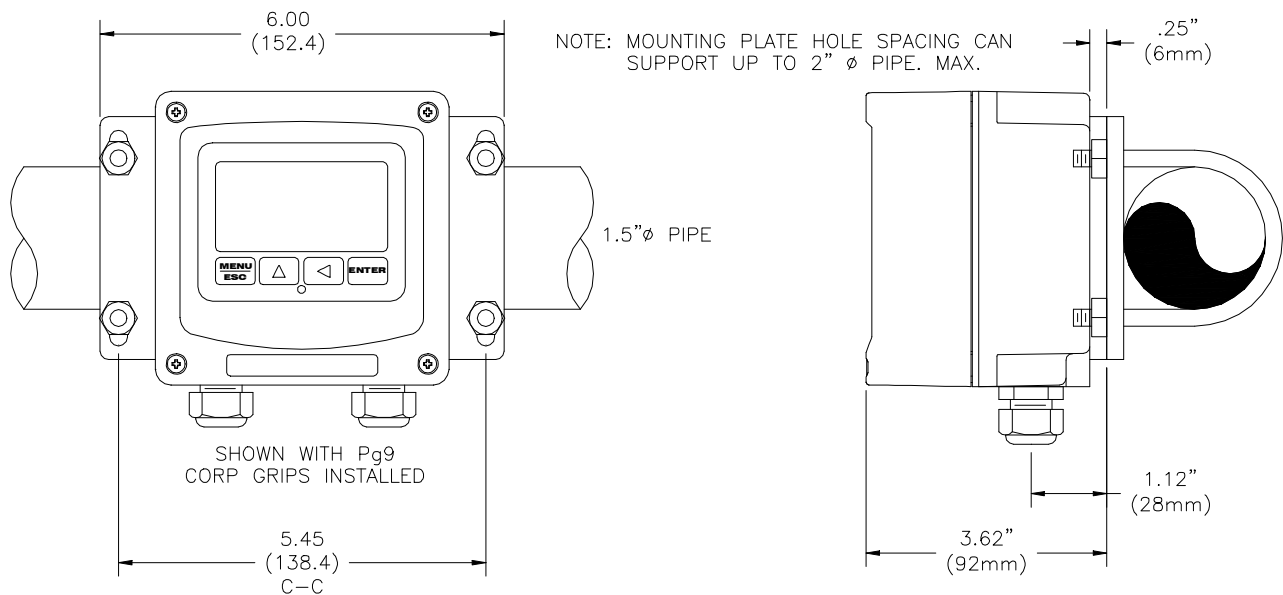


WALL MOUNTING



ATI-0709

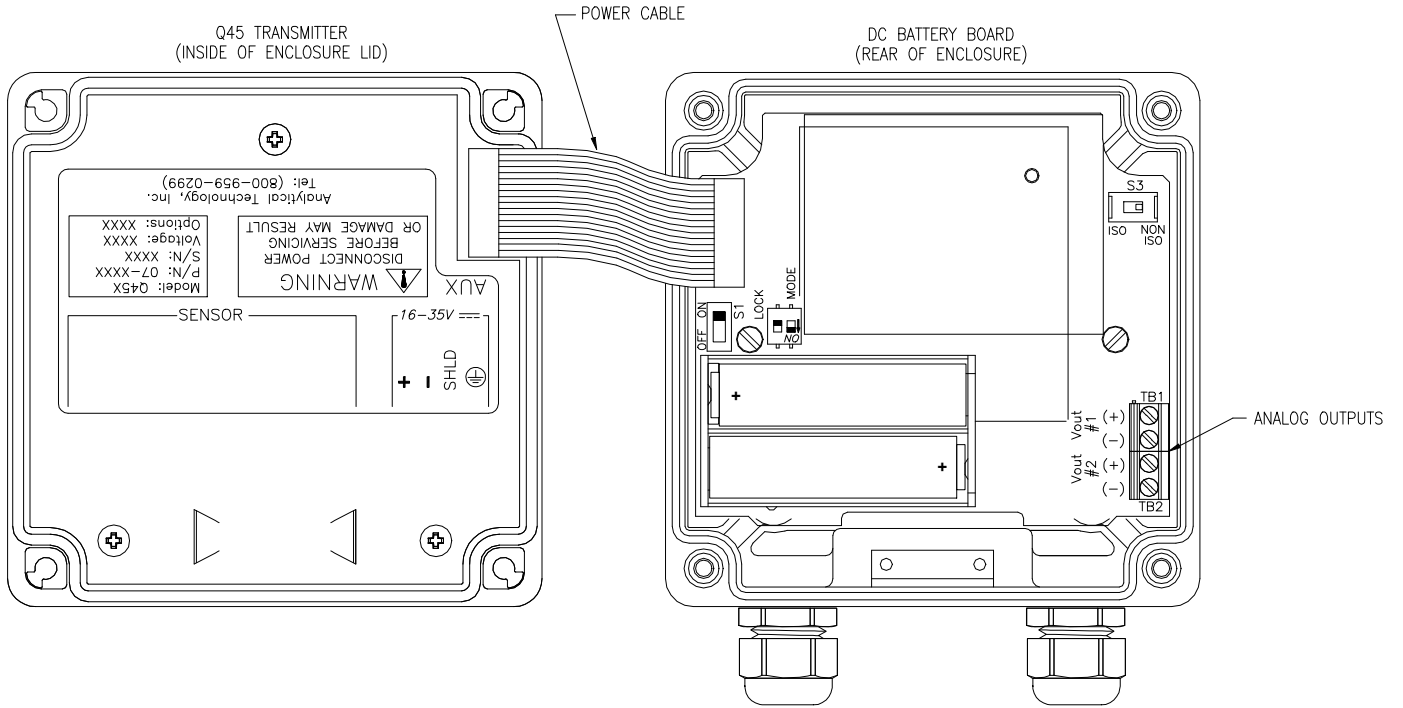
PIPE MOUNTING



NOTE: PLATE MAY BE TURNED 90° FOR VERTICAL PIPE MOUNTING

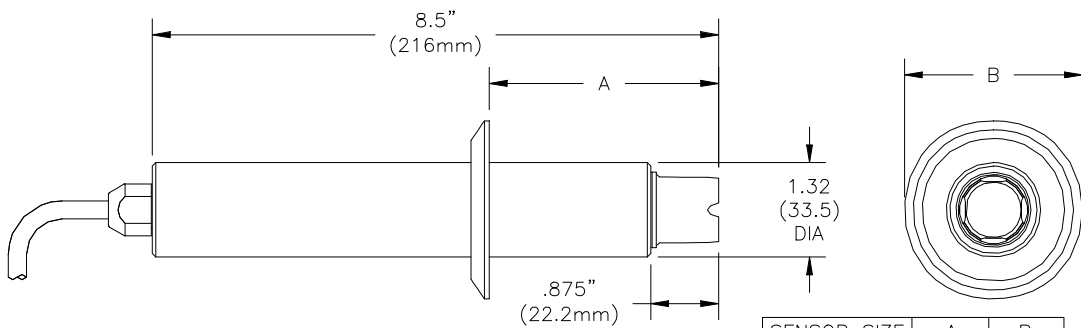
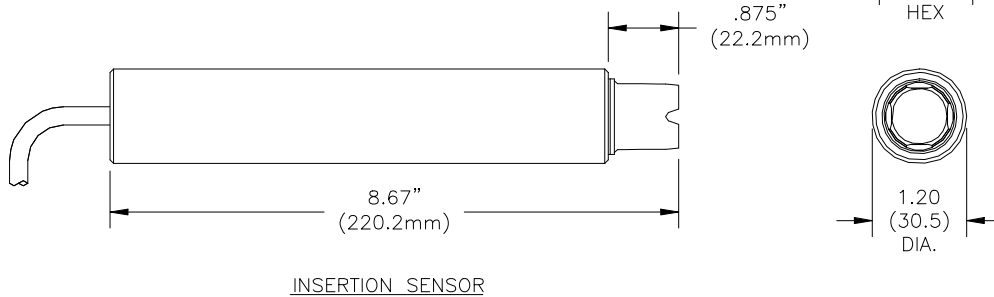
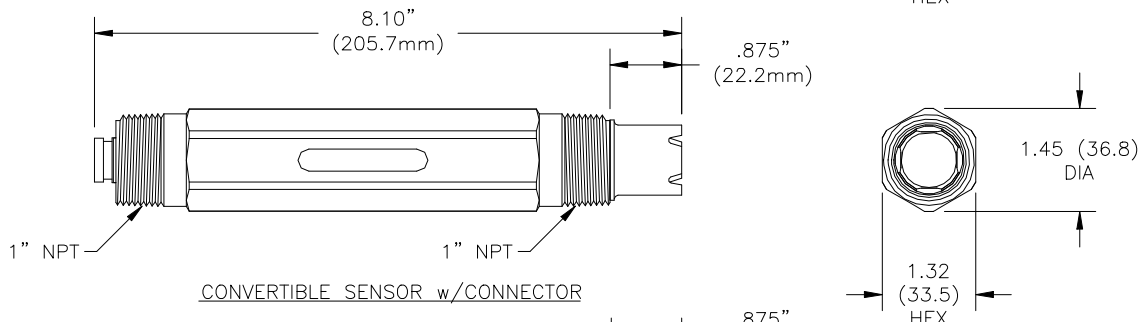
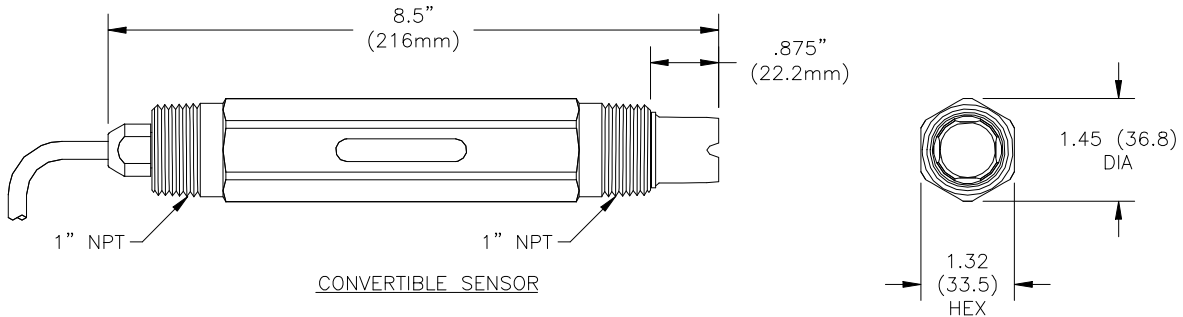
ATI-0710

INTERNAL BATTERY CONFIGURATION



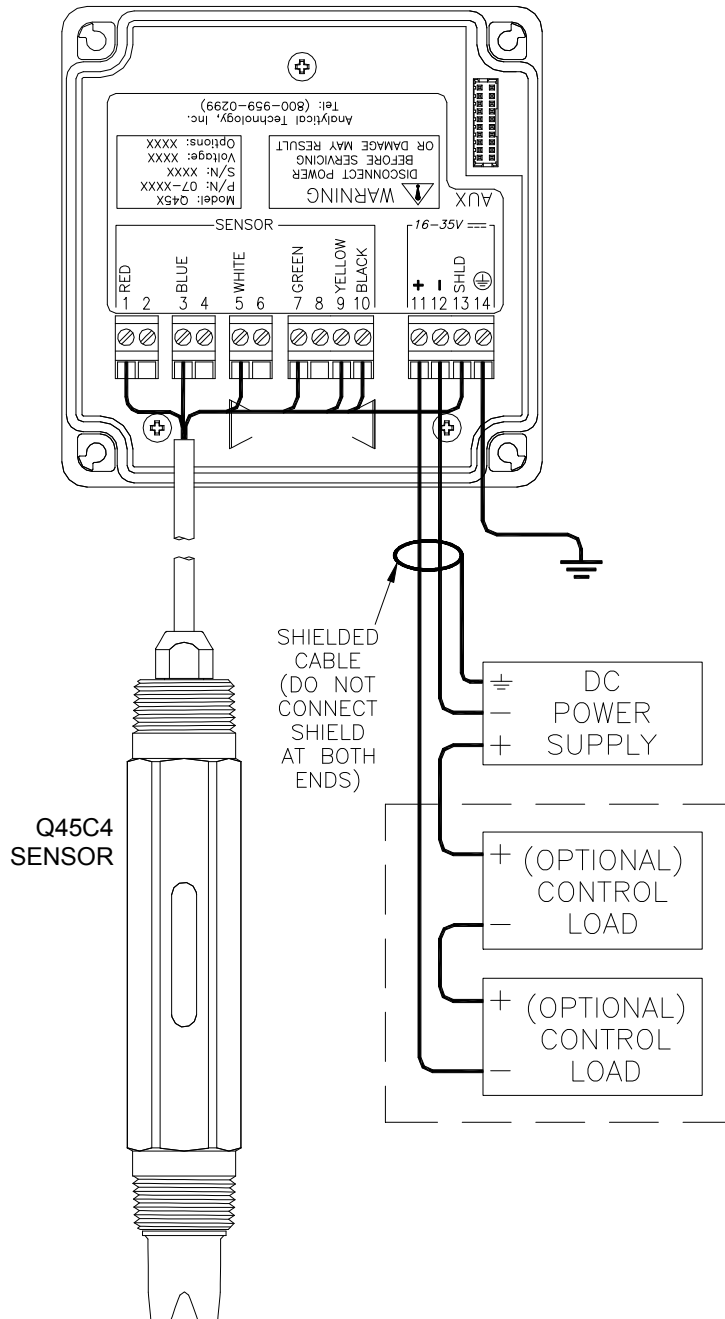
ATI-0827b

Q25C4 4E CONDUCTIVITY SENSOR DIMENSIONS



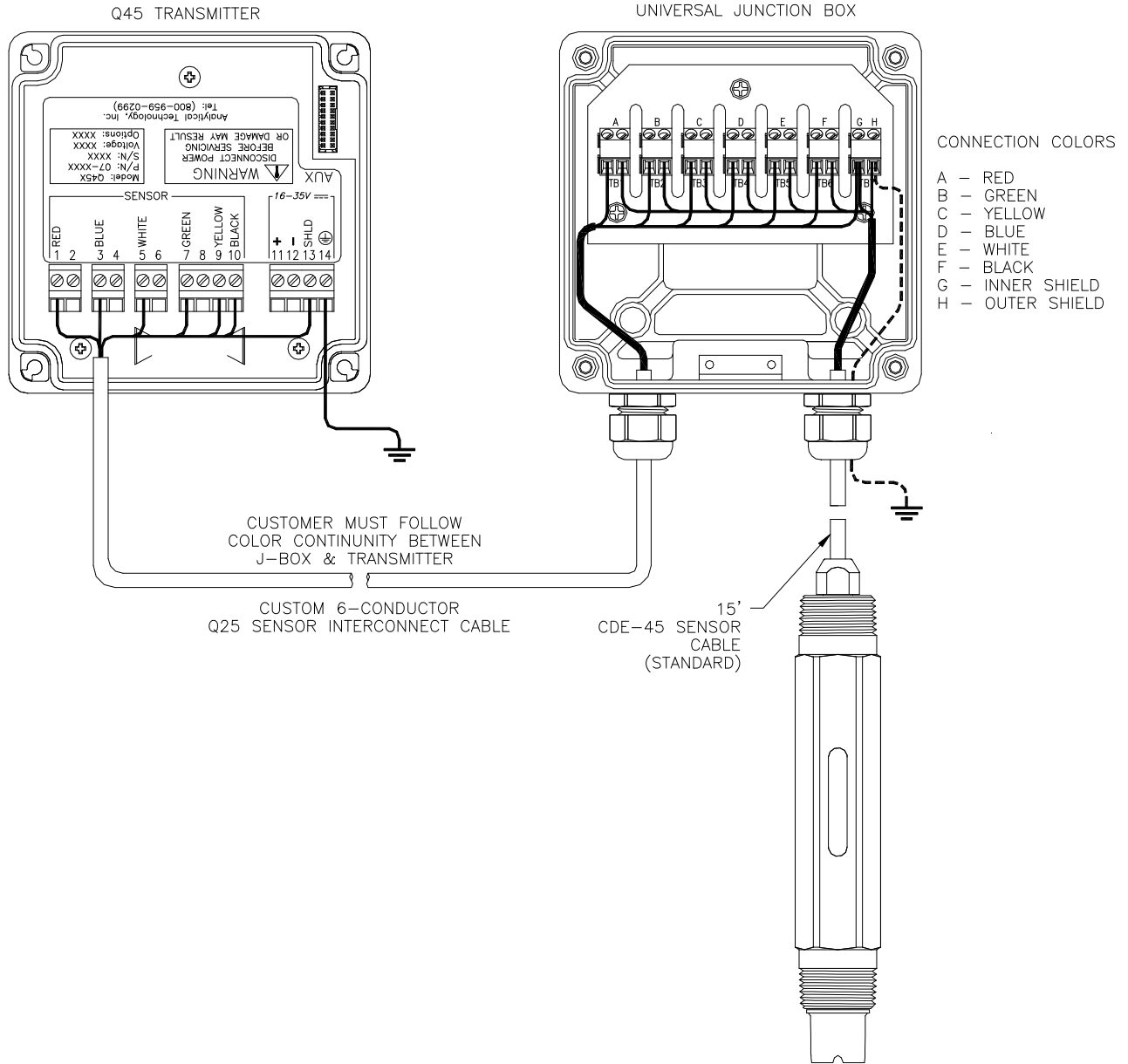
SENSOR SIZE	A	B
1-1/2"	2.38 (60.5)	1.98 (50.4)
2"	3.13 (80.0)	2.50 (63.5)

ELECTRICAL CONNECTIONS - 2-WIRE TRANSMITTER

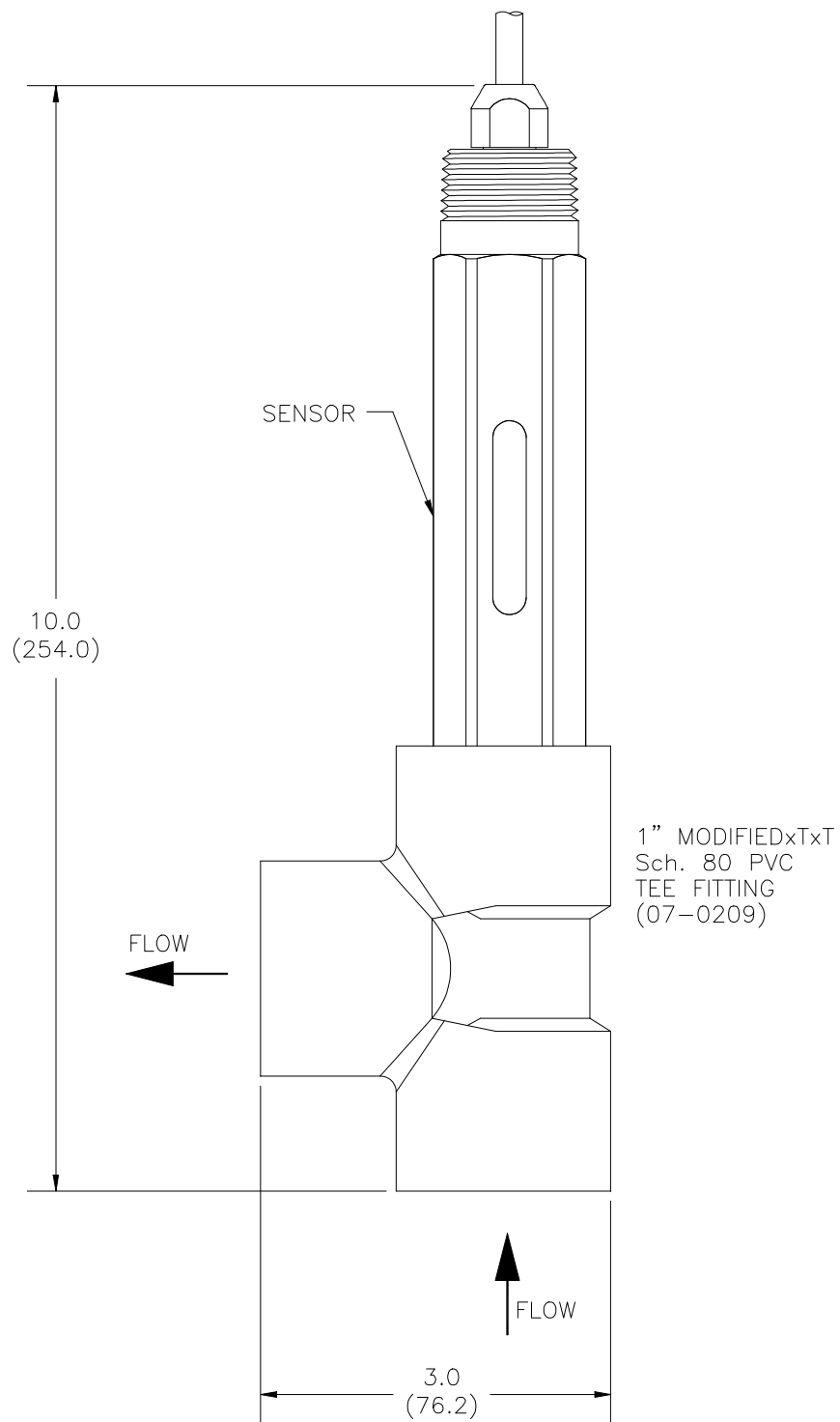


- NOTES:** 1. Voltage between Terminals 11 & 12 **MUST** be between 16 & 35 VDC.
 2. Earth ground into Terminal 14 is **HIGHLY** recommended. This connection can greatly improve stability in electrically noisy environments.

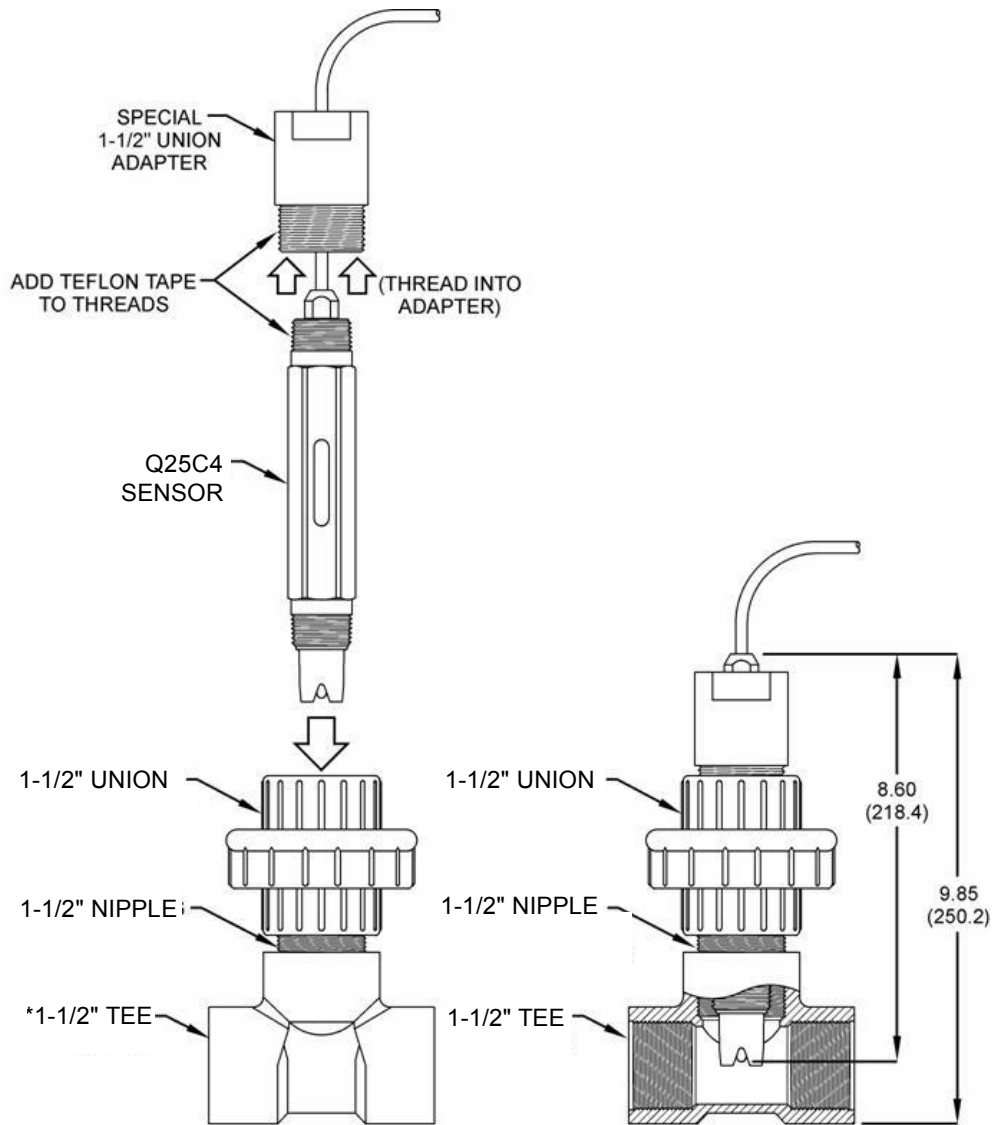
ELECTRICAL CONNECTIONS - 2-WIRE WITH JUNCTION BOX



ATI-0738

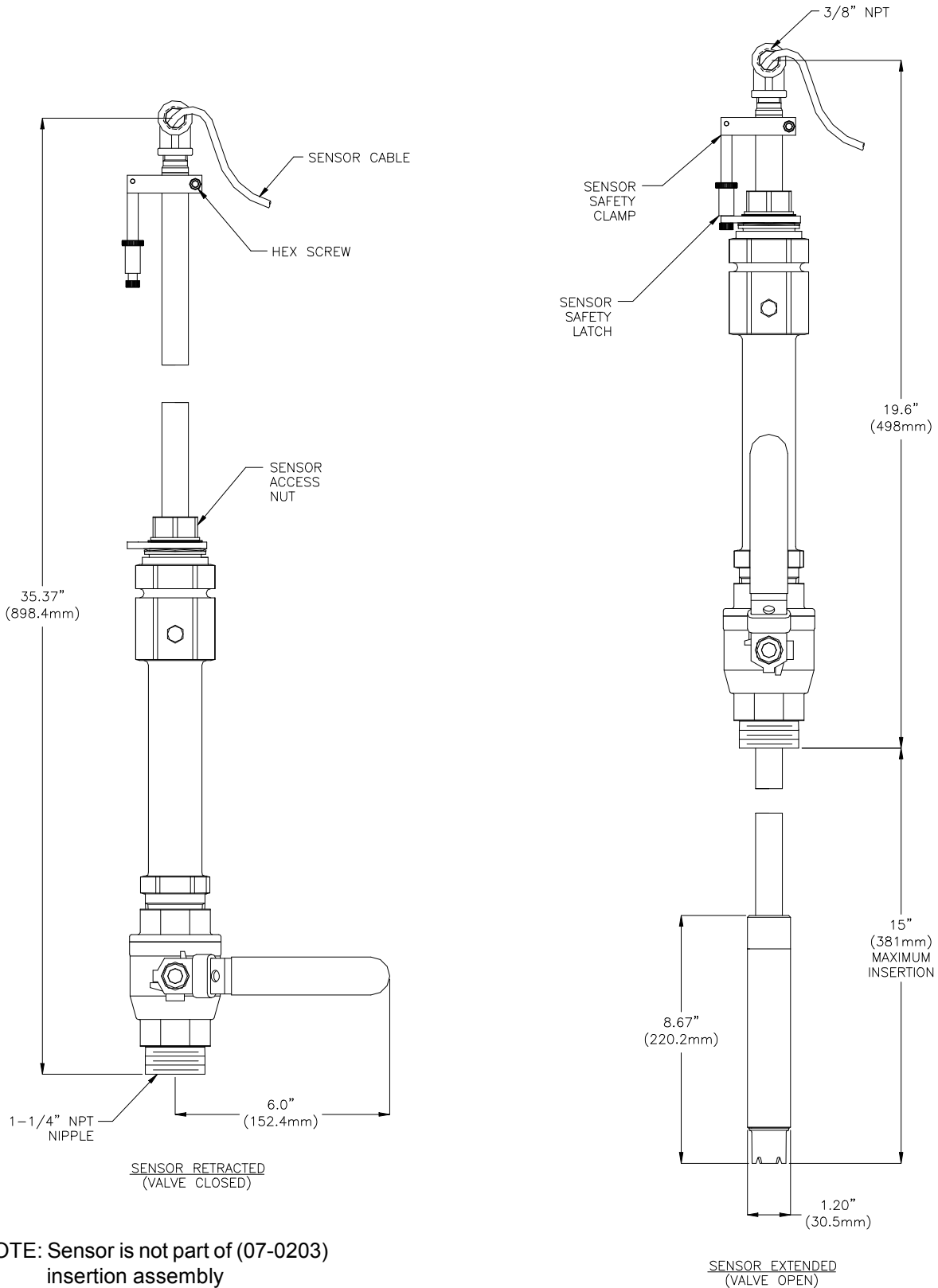
FLOW TEE DETAIL

1-1/2" UNION DETAIL - (07-0221)



* 1-1/2" TEE Fitting not supplied with P/N (07-0221). Tee Fitting must be ordered Separately

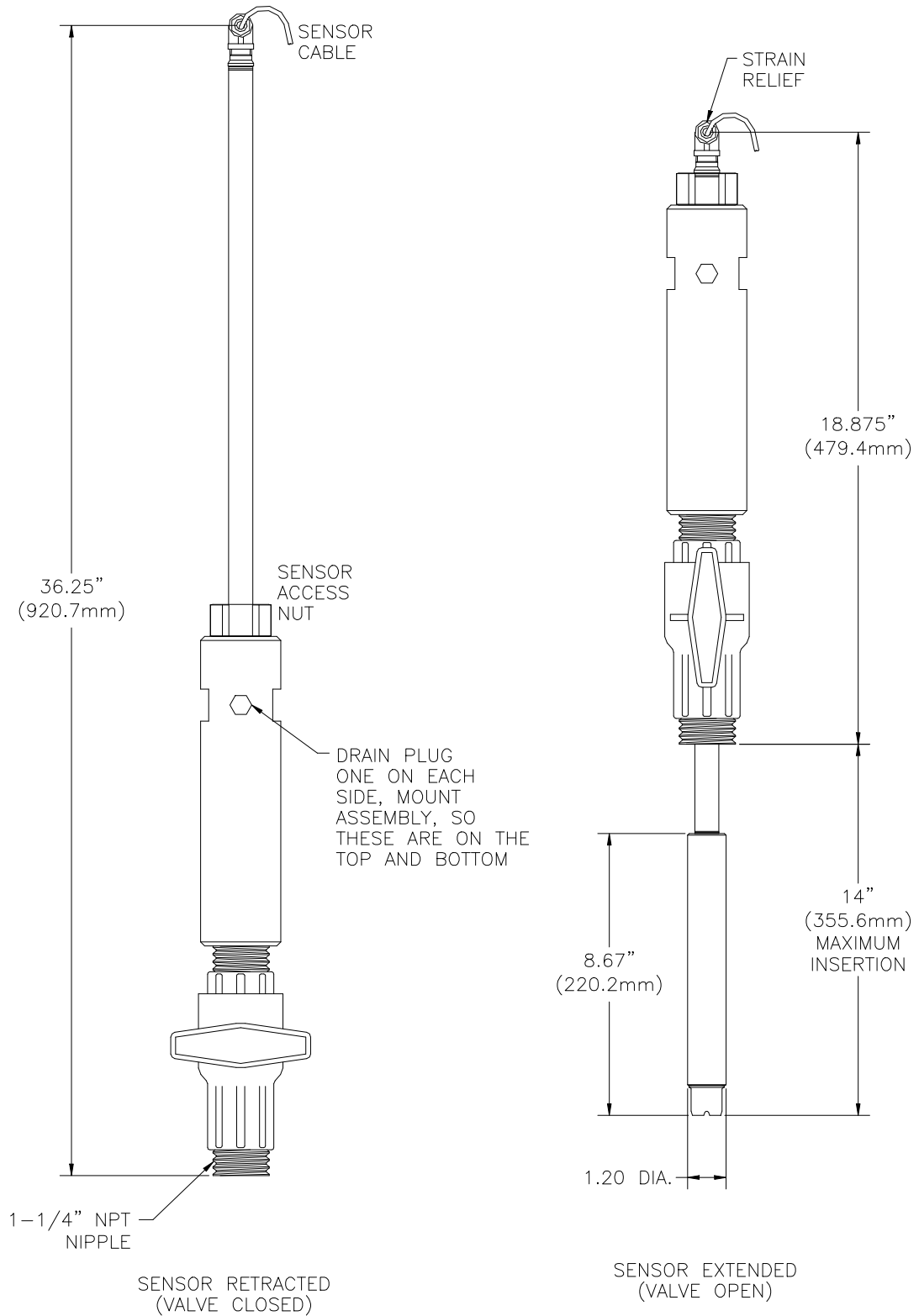
INSERTION ASSEMBLY DETAIL (07-0203) - (SS VERSION)



NOTE: Sensor is not part of (07-0203) insertion assembly

ATI-0739

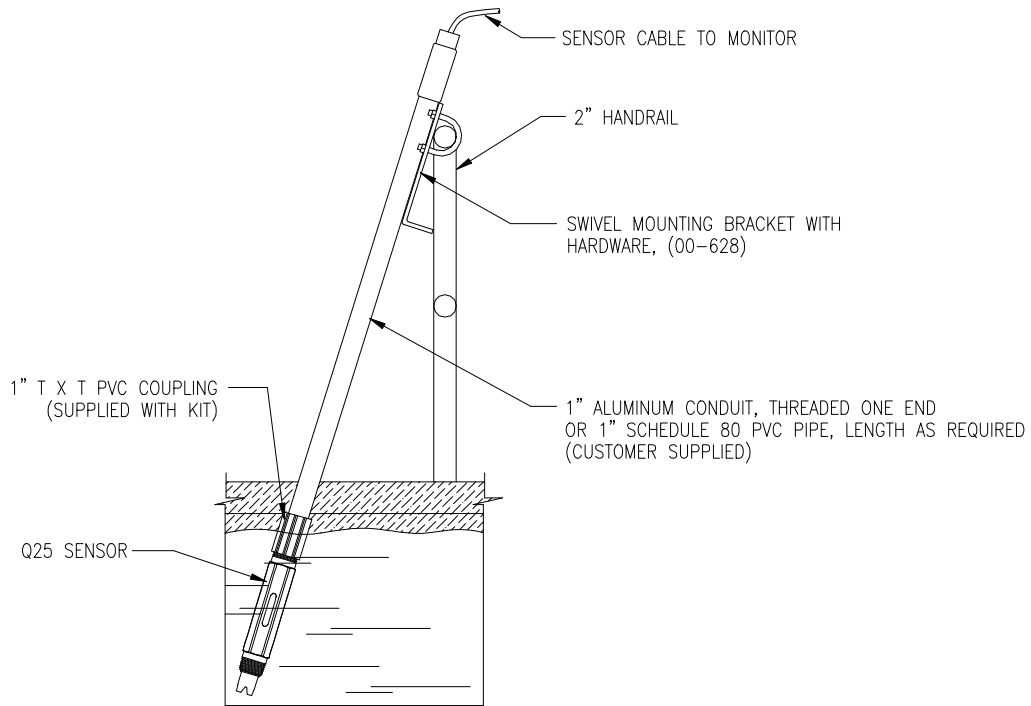
INSERTION ASSEMBLY DETAIL (07-0223) - (CPVC VERSION)



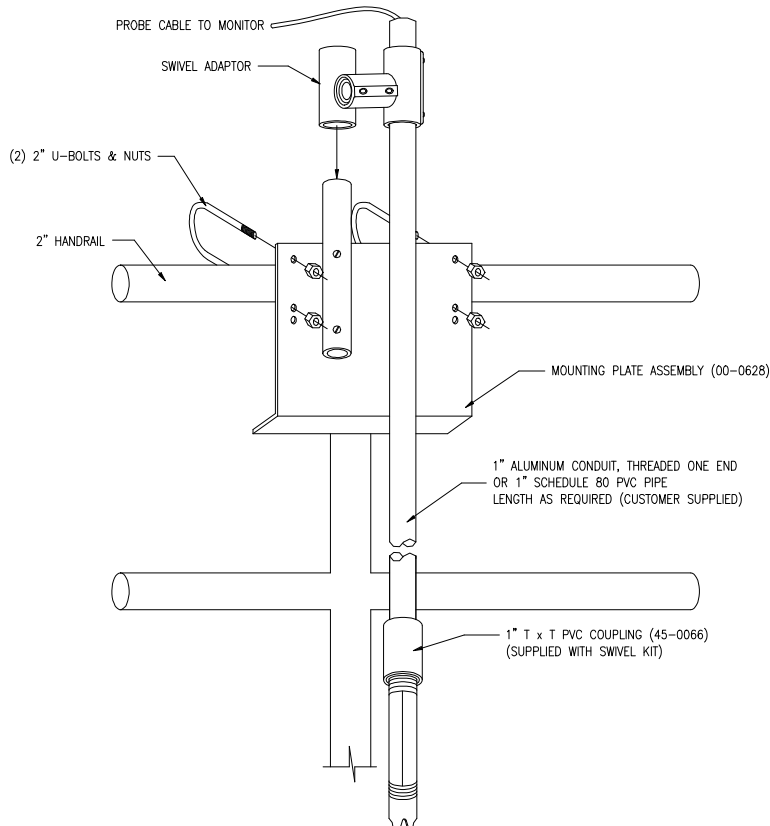
NOTE: Sensor is not part of (07-0223) insertion assembly

ATI-0682

(00-0628) SUBMERSION MOUNTING ASSEMBLY



ATI-0728



ATI-0729