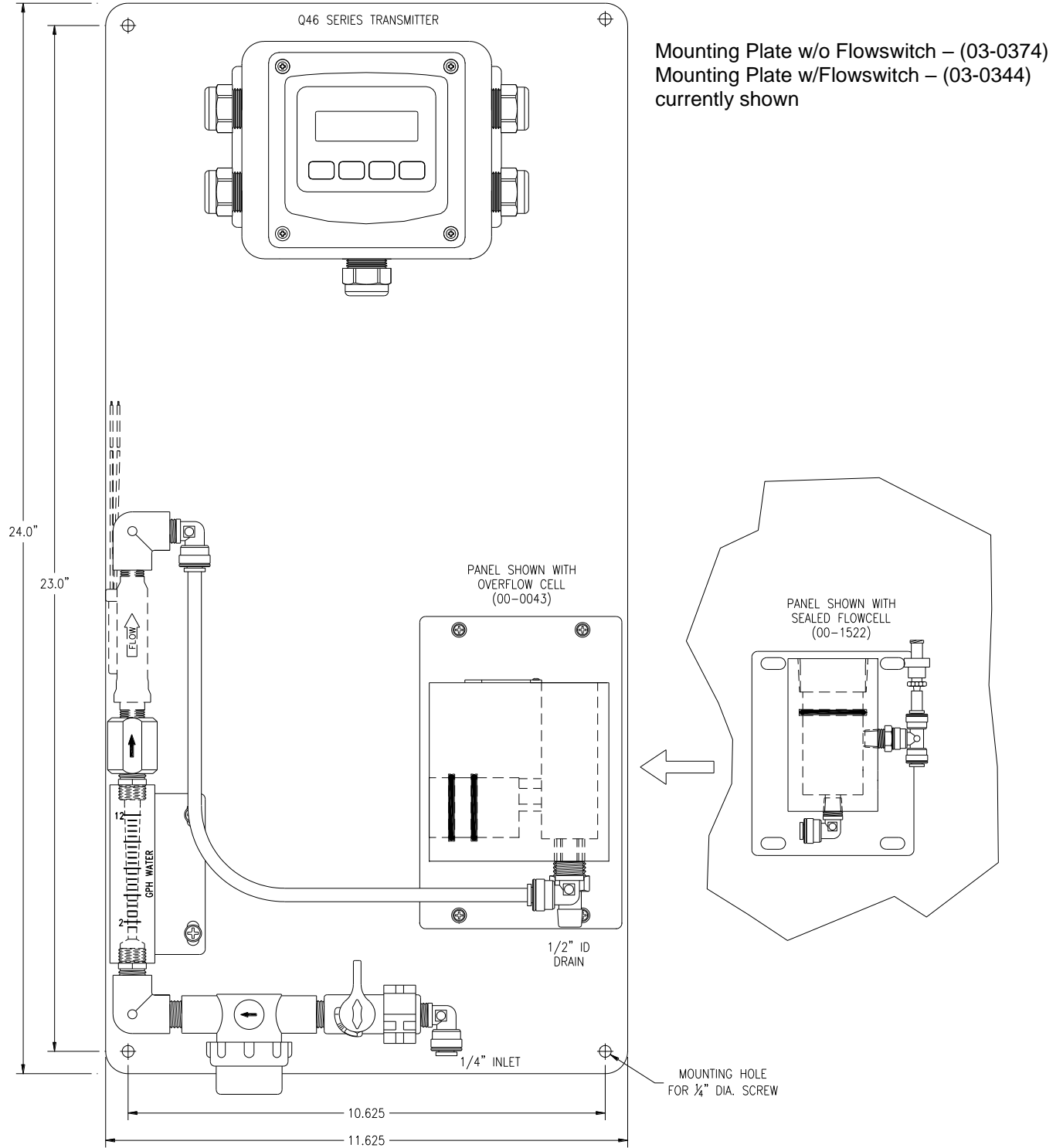


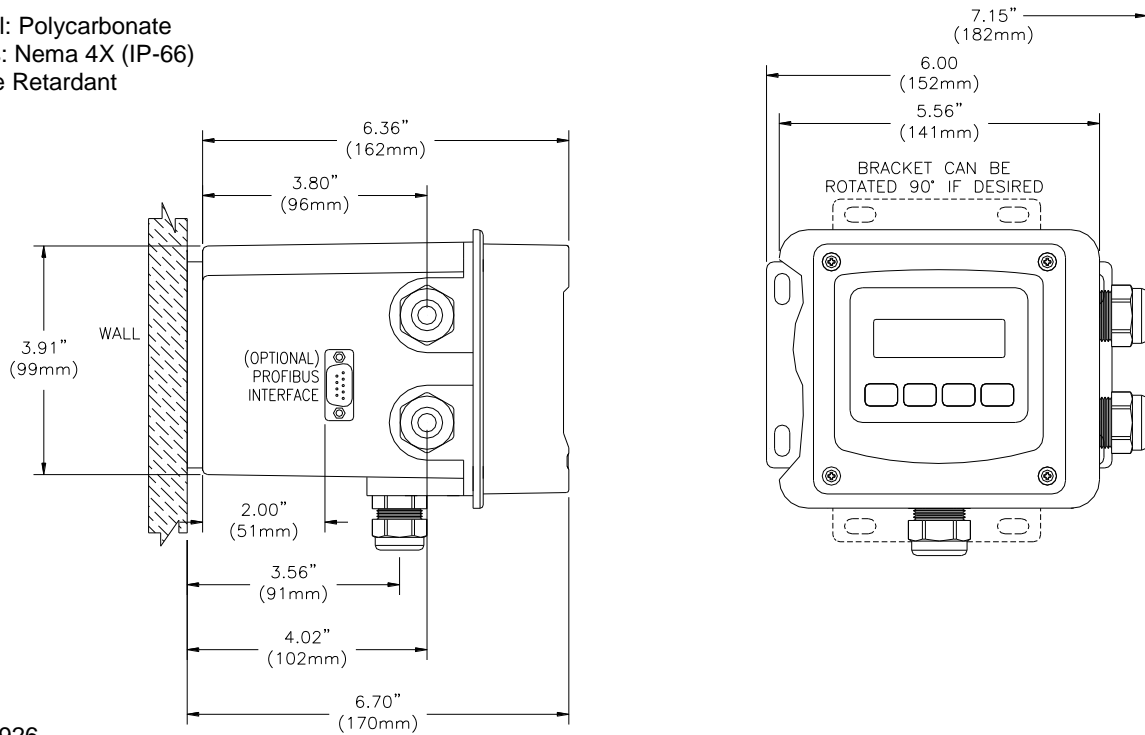
SYSTEM MOUNTING PLATE ASSY



ATI-1224

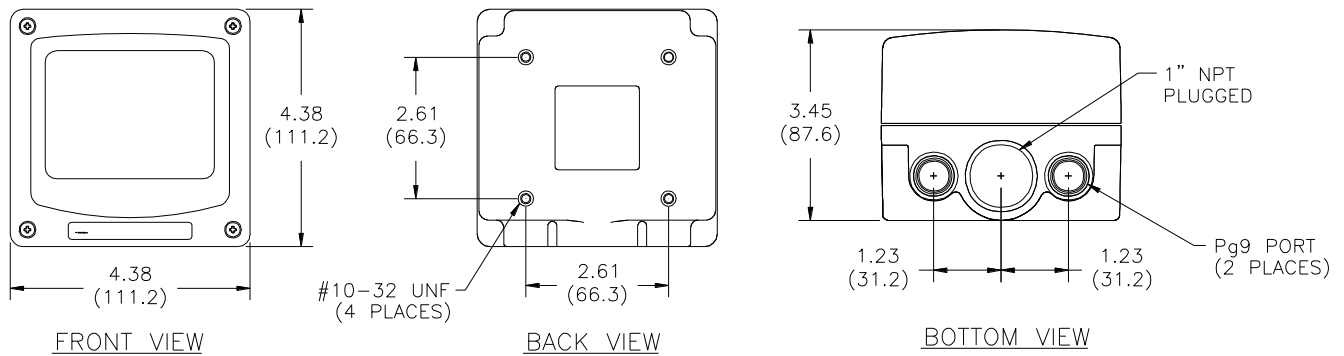
ANALYZER DIMENSIONS (WALL MOUNT SHOWN)

Material: Polycarbonate
 Ratings: Nema 4X (IP-66)
 V-0 Fire Retardant



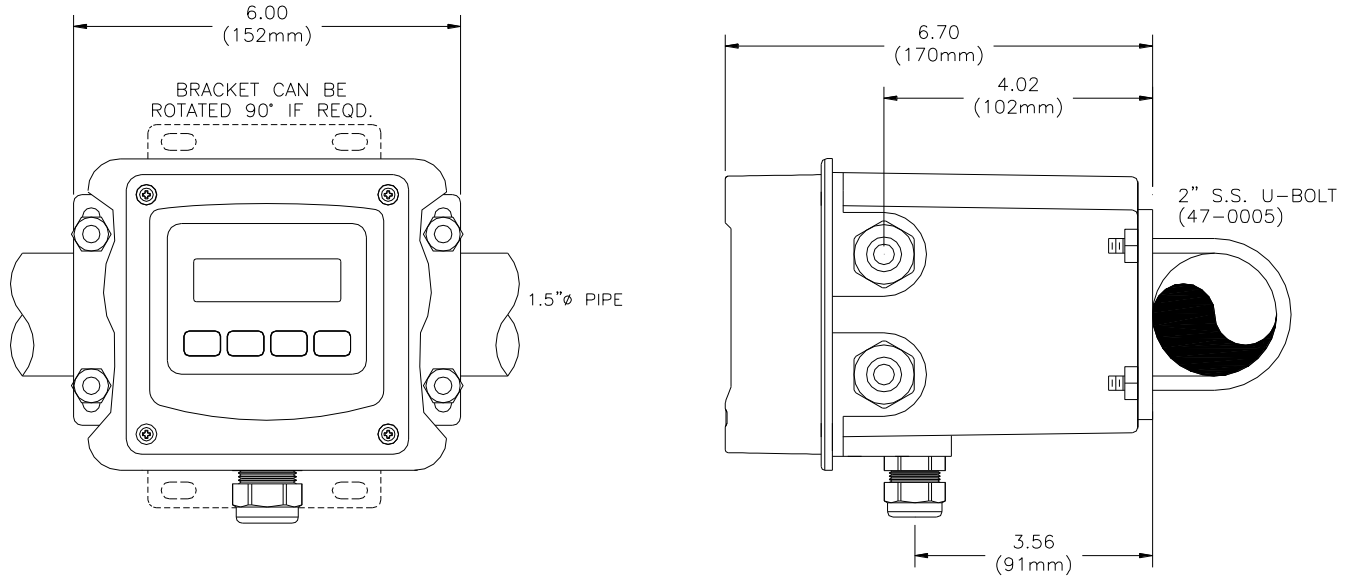
ATI-0926

JUNCTION BOX



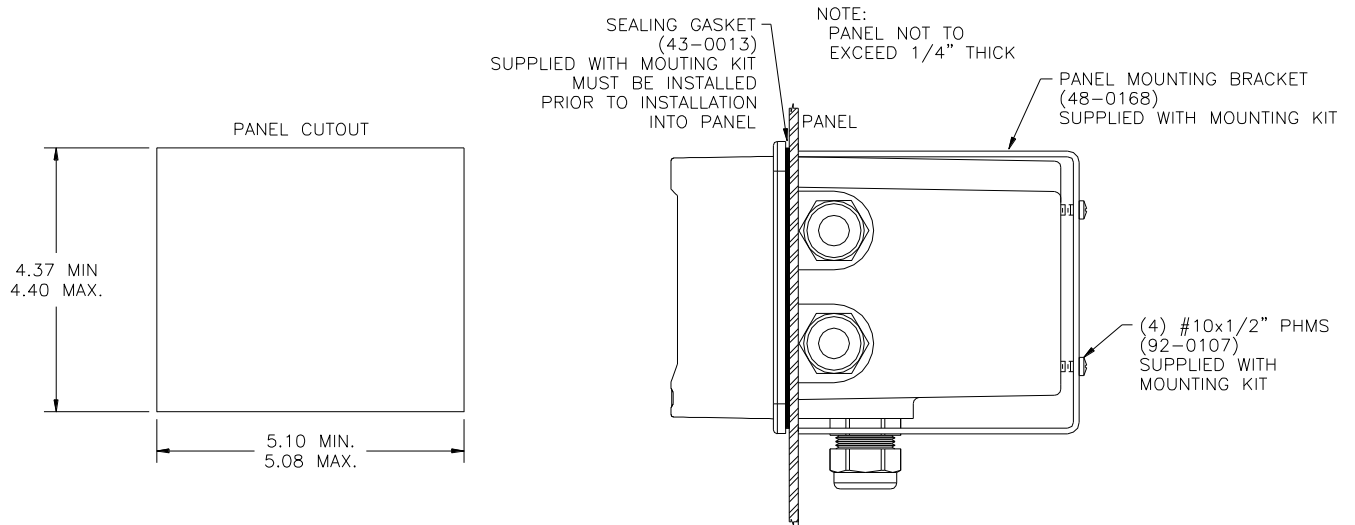
ATI-0655

PIPE MOUNTING



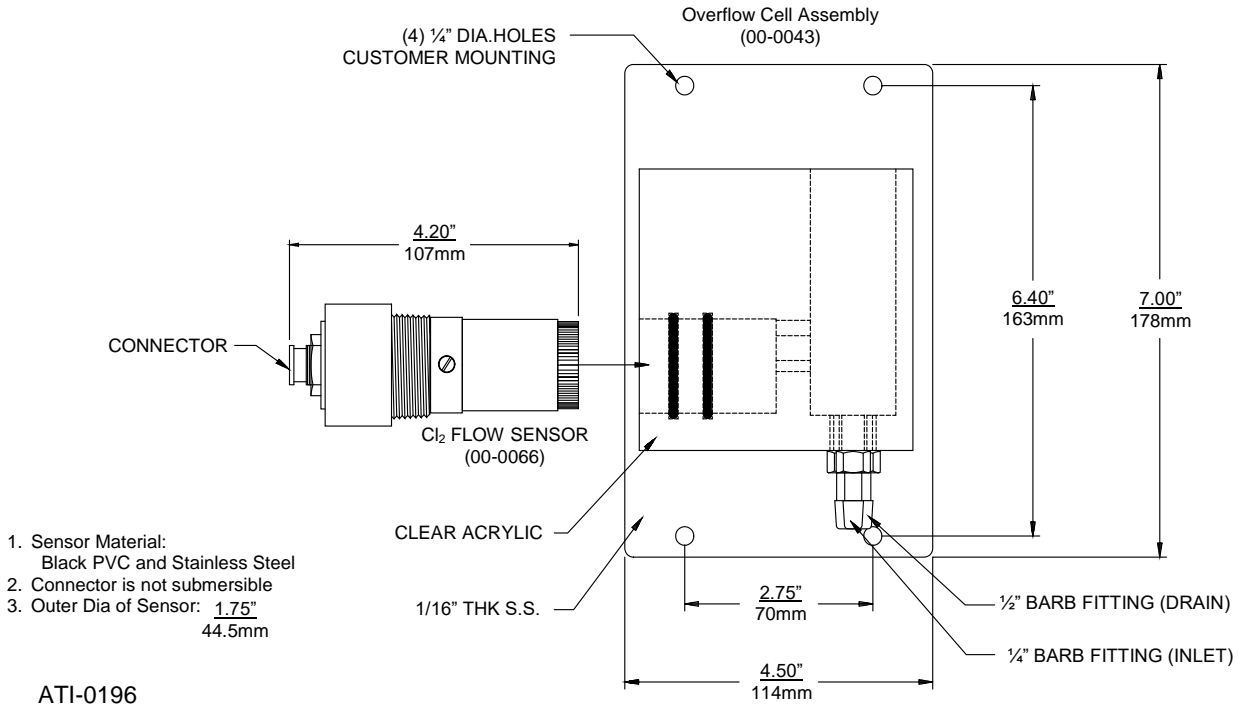
ATI-0927

PANEL MOUNTING



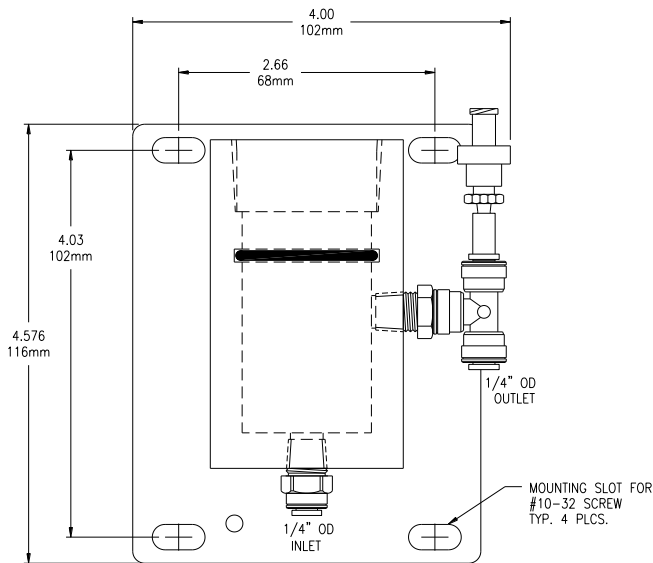
ATI-0928

FLOW SENSOR DIMENSIONS & OVERFLOW CELL INSTALLATION



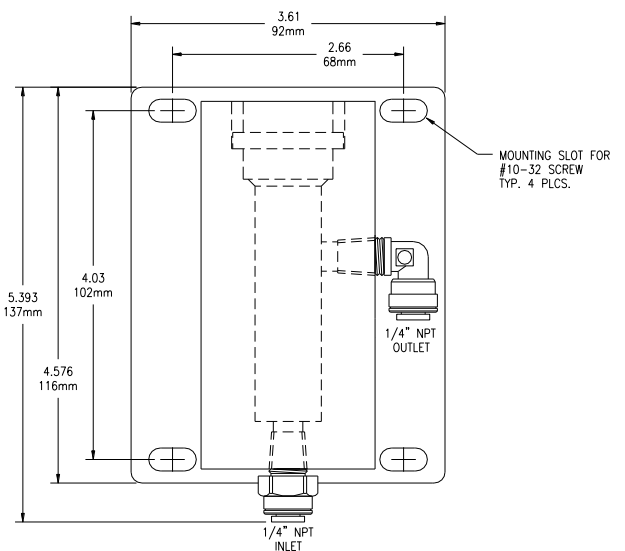
**Cl₂ SEALED FLOWCELL ASSY
(00-1522)**

Material: Acrylic
Mounting Plate: PVC

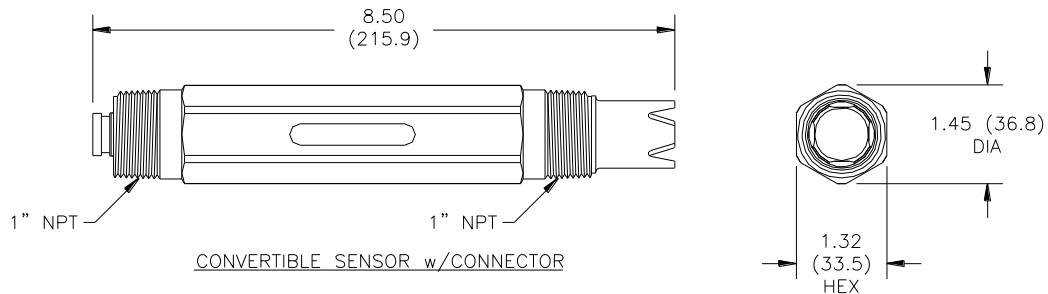


**pH SEALED FLOWCELL ASSY
(00-1527)**

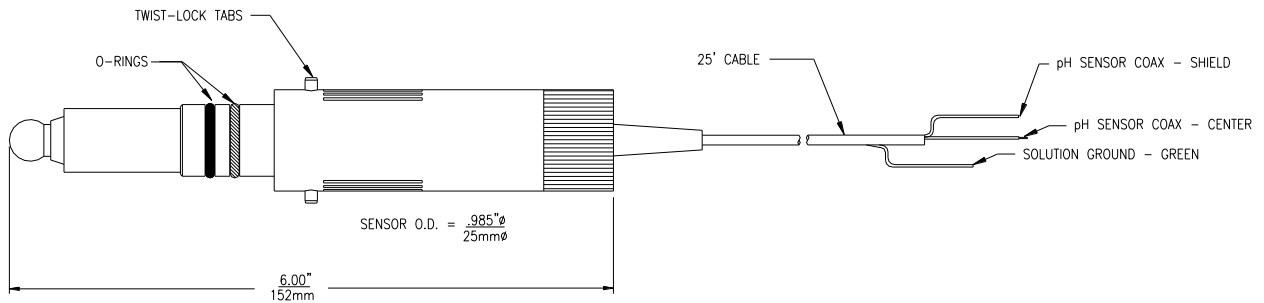
Material: Acrylic
Mounting Plate: PVC



(07-0096) pH SENSOR DIMENSIONS

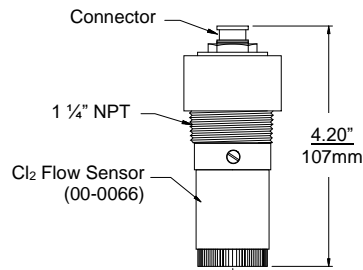


(63-0101) pH SENSOR DIMENSIONS

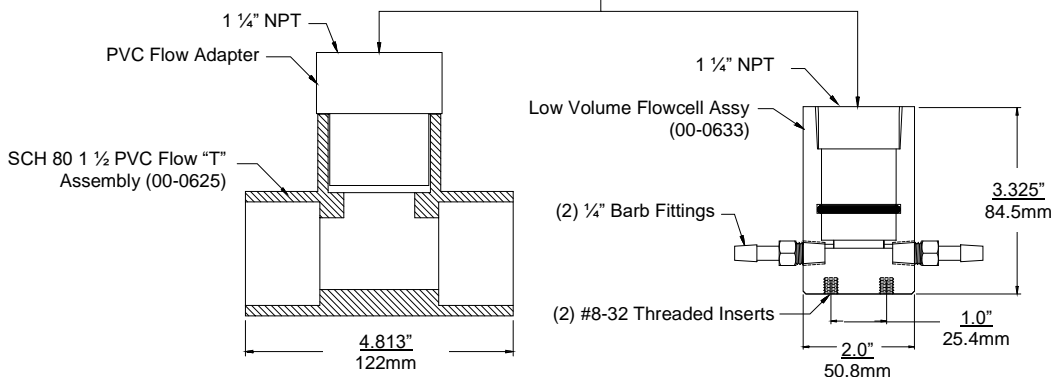


SPECIAL APPLICATION FLOWCELLS (CONSULT FACTORY)

- 1. Sensor Material: Black PVC & Stainless Steel
- 2. Connector is not submersible
- 3. Outer Diameter of Sensor: 1.75" Dia. 44.5mm

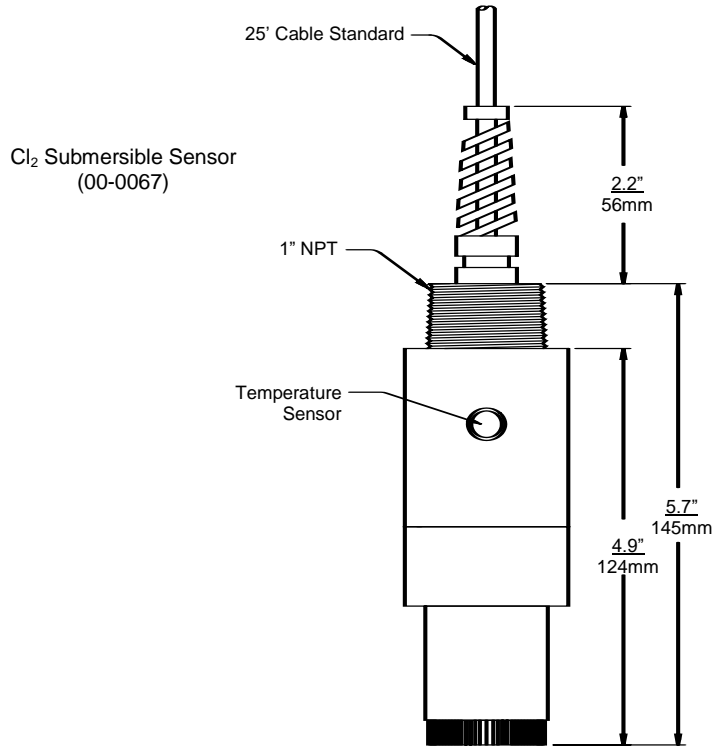


- Flow "T"
- 1. Max 50 PSI for Flow "T" Operation
 - 2. Use Teflon Tape to seal In-Line Sensor
- Low Volume Flowcell
- 1. Mat: Clear Acrylic

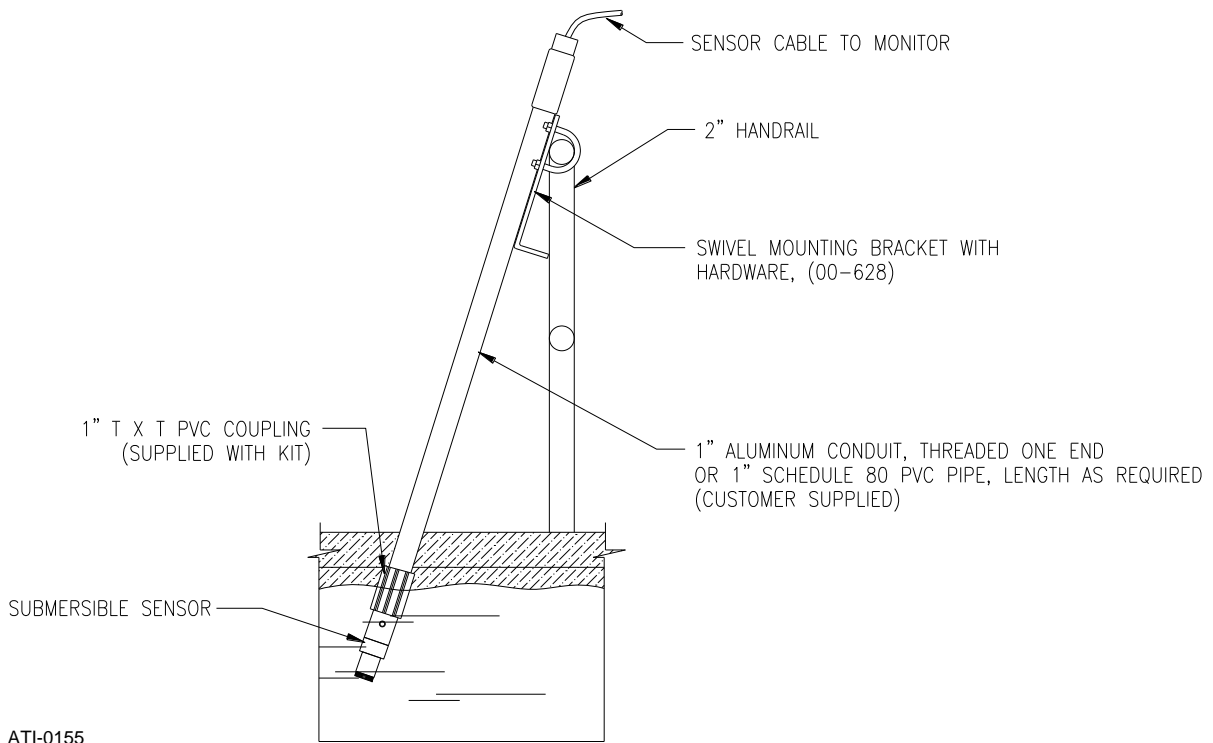


ATI-0197

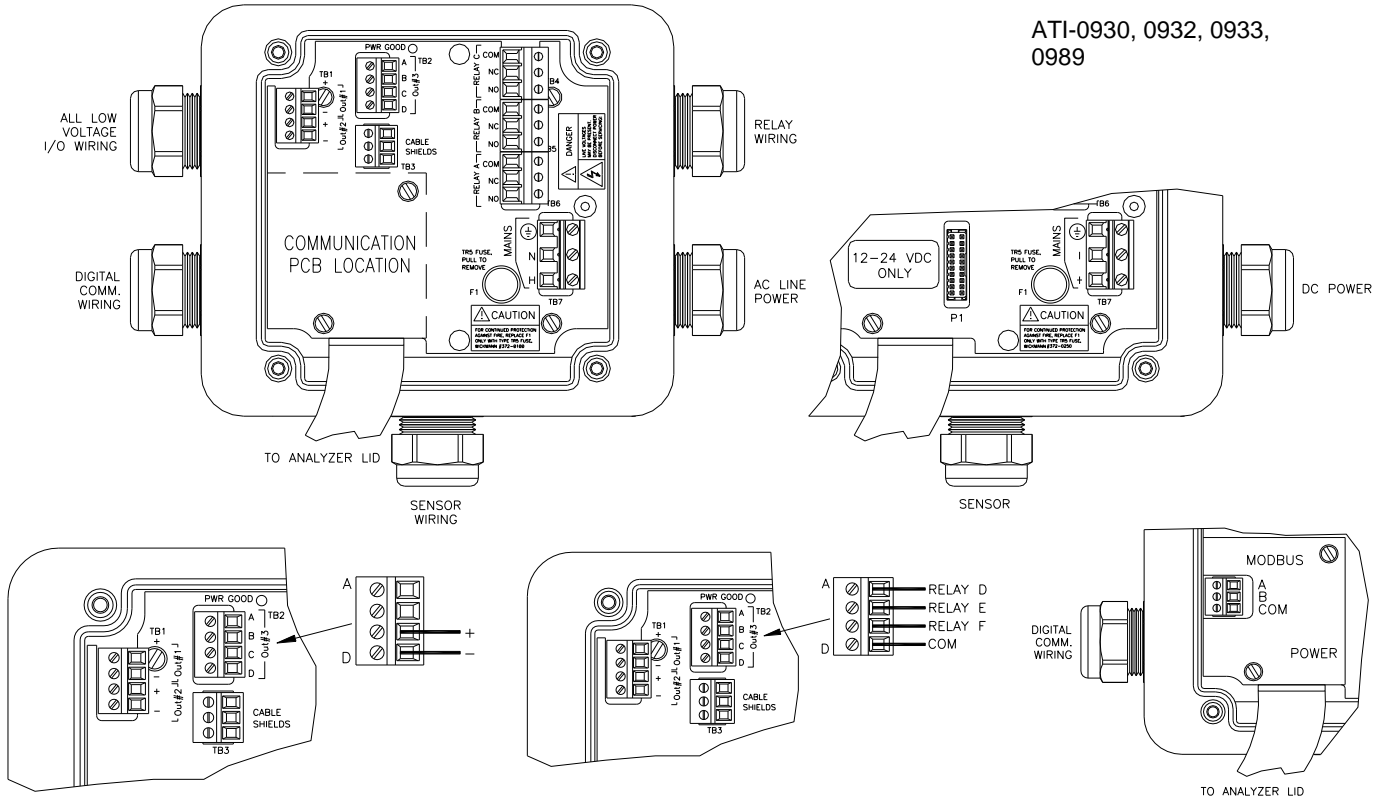
SUBMERSIBLE SENSOR DIMENSIONS



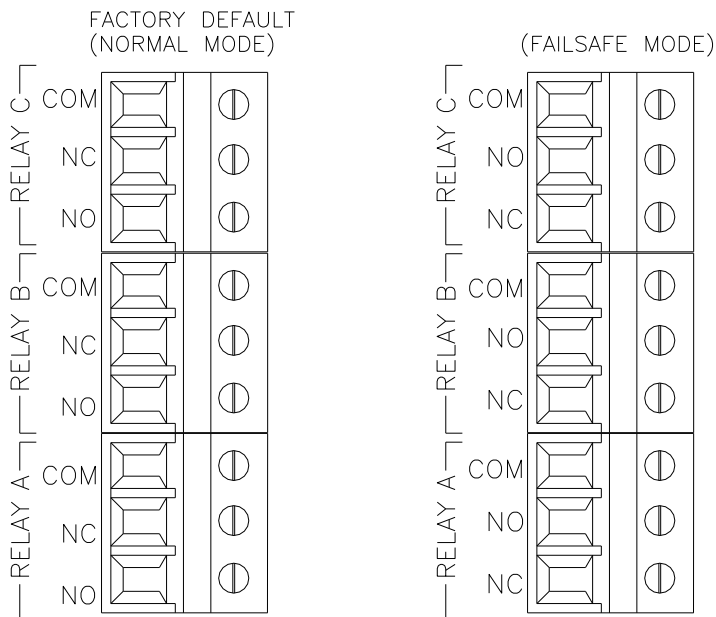
SUBMERSIBLE SENSOR INSTALLATION



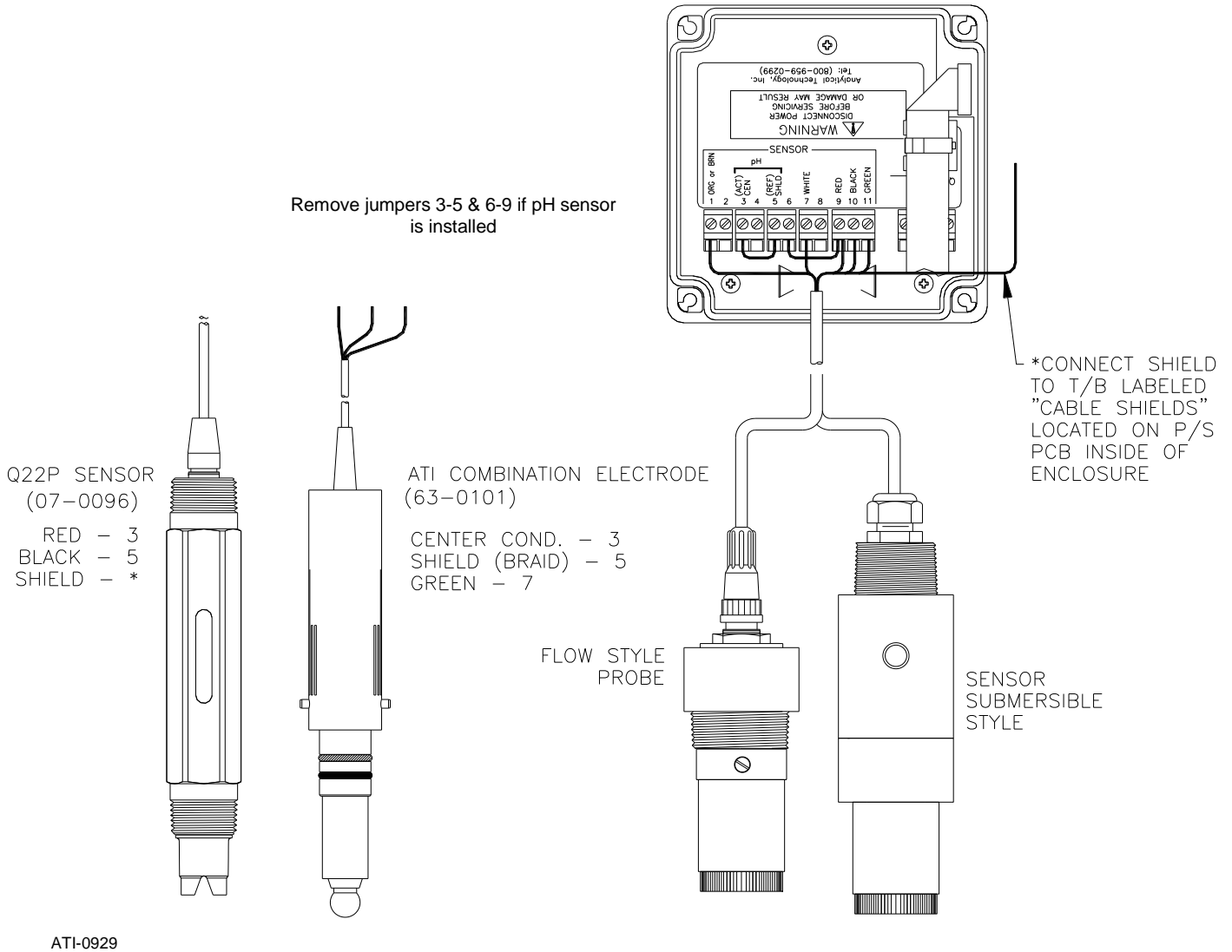
POWER, RELAY, AND OUTPUT CONNECTIONS



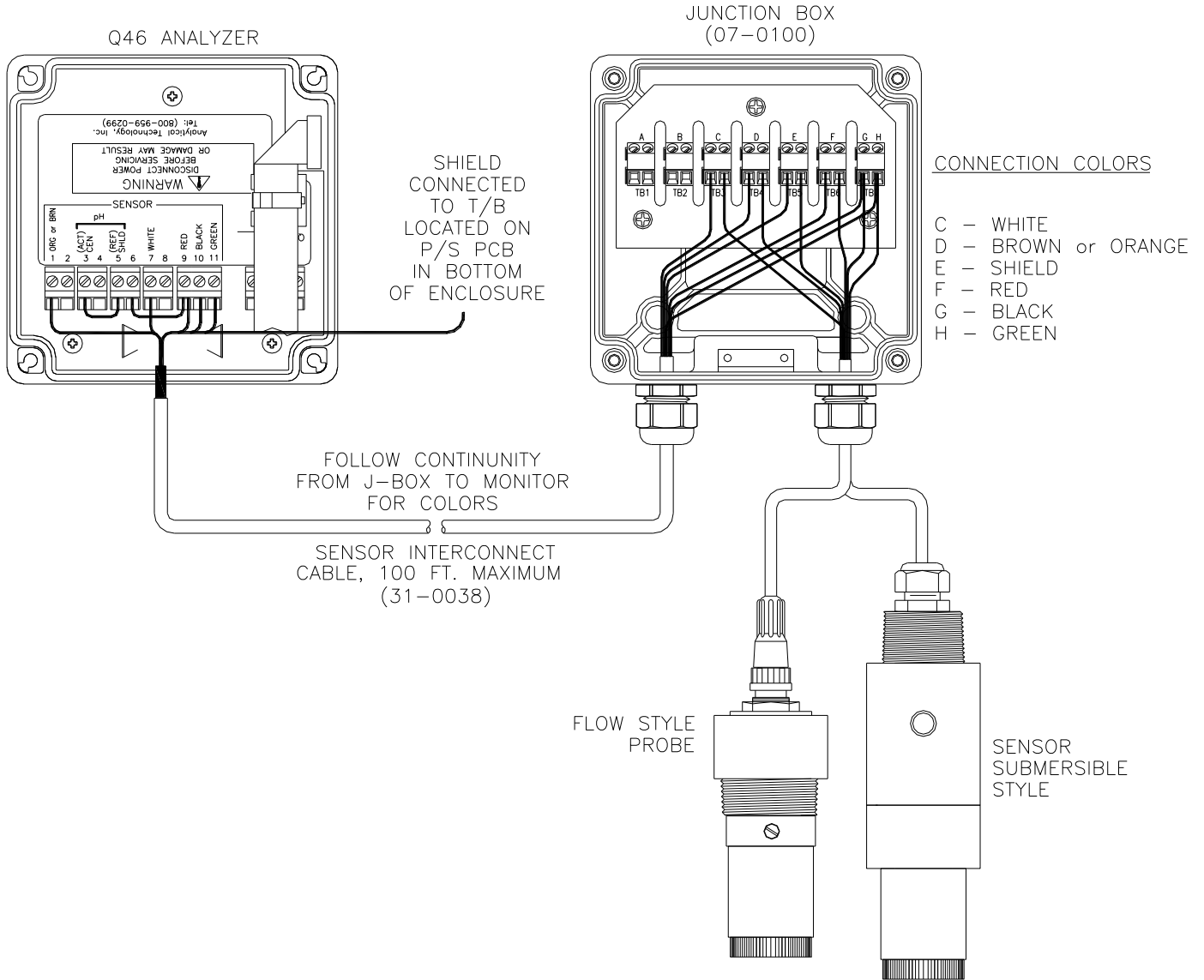
RELAY WIRING TB4,5,6 DETAIL



ELECTRICAL CONNECTIONS



SENSOR CONNECTIONS – REMOTE JUNCTION BOX



ATI-0934

SENSOR CONNECTIONS Cl₂ pH w/Junction Box

(63-0101) Bayonet Style pH Probe CANNOT be used in a remote application

